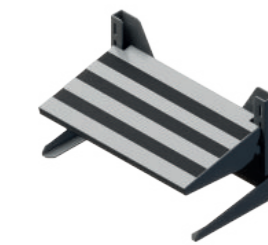
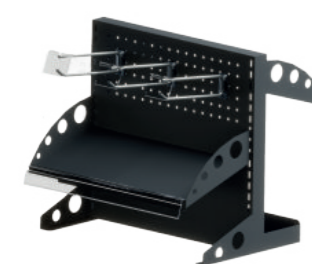


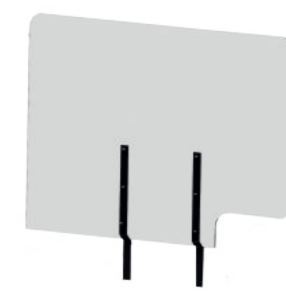
DECO LINE
ACCESSORIES



CÓD. RPPR
Height adjustable footrest.



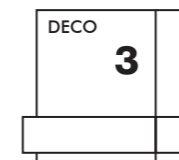
CÓD. MASD416450
Countertop front check-out module.



CÓD. CMD13085P
Methacrylate Deco code. SMD13085.



CÓD. INRL2F
Multifunctional indicator.
Pole Code PININ
Extensión pole code. EPININ



CÓD. *Customizable



CÓD. TVCJ
Customer display pole.



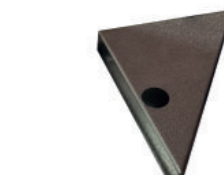
CÓD. CSMMCDEX
Methacrylate with support.
Methacrylate 690x850
code. SMMCDEX



CÓD. PPDMCED
Inner cover.
Front module.



CÓD. SEPEG
Next customer bar.



CÓD. DESPEG
Product deviator.

- High quality steel and coatings.
- Ergonomic and functional according to standards.
- Adaptation to any computer peripheral.
- Adapted design to new market trends.
- Wide color range and configuration.
- Entirely built by Marsanz.



SEDE SOCIAL - HEAD OFFICE
Calle Hierro, 27
28850 Torrejón de Ardoz
MADRID, ESPAÑA - SPAIN
TEL: 91 675 14 34 / (34) 91 677 10 92
creaciones@marsanz.es

**INTERNACIONAL
INTERNATIONAL
EXPORT DIVISION**
export@marsanz.es

**FRANCIA - FRANCE
MARSANZ FRANCE SAS**
TEL: +33 (0) 1 30 88 82 95
info@marsanz.fr
www.marsanz.fr

**REINO UNIDO
UNITED KINGDOM
MARSANZ UK Ltd.**
TEL: +44 (0) 16 18 81 85 15
info@marsanz.co.uk

DELEGACIÓN CANARIAS
TEL: 683 22 33 06
arturobadillo@marsanz.es

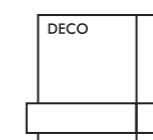
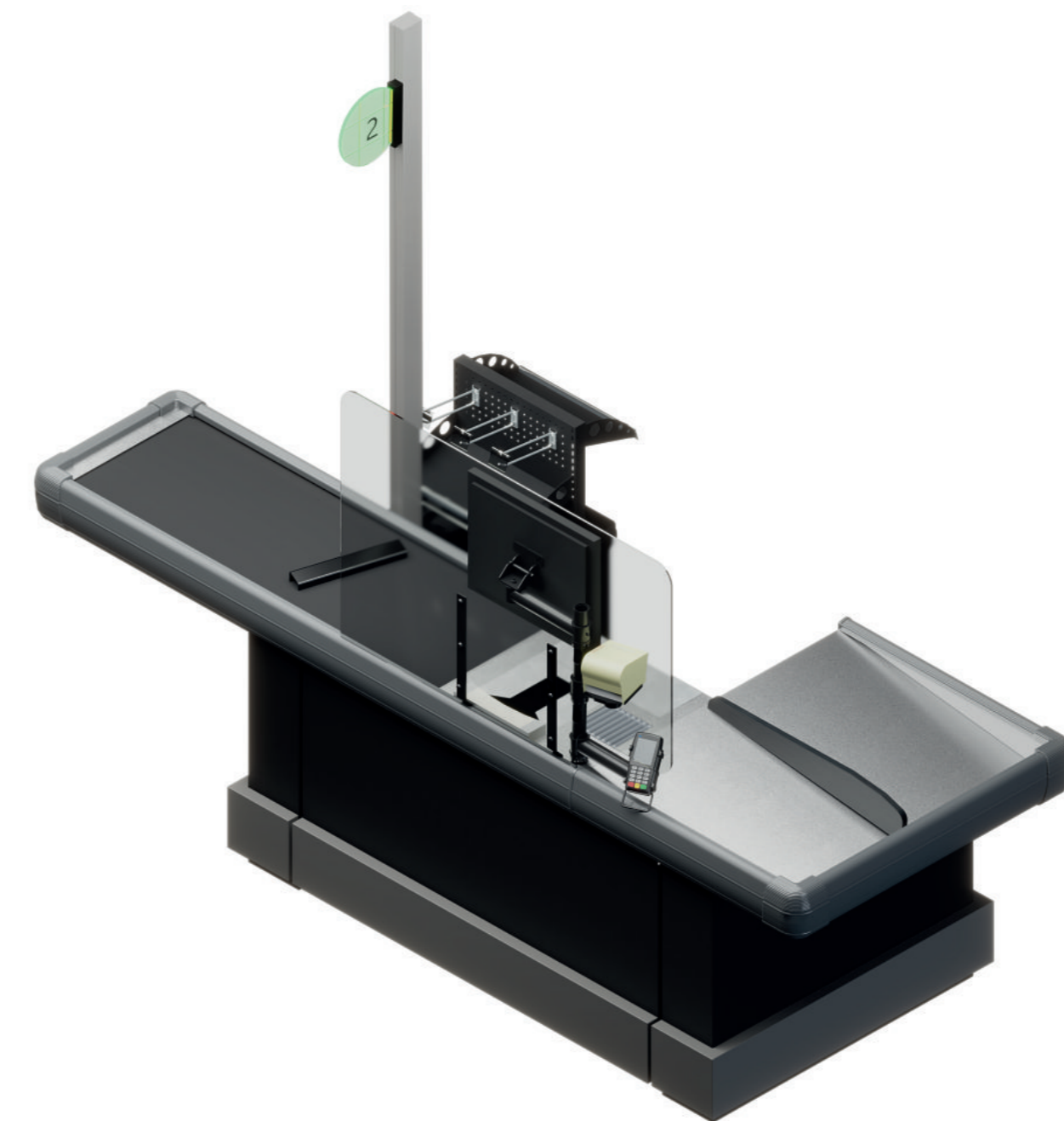
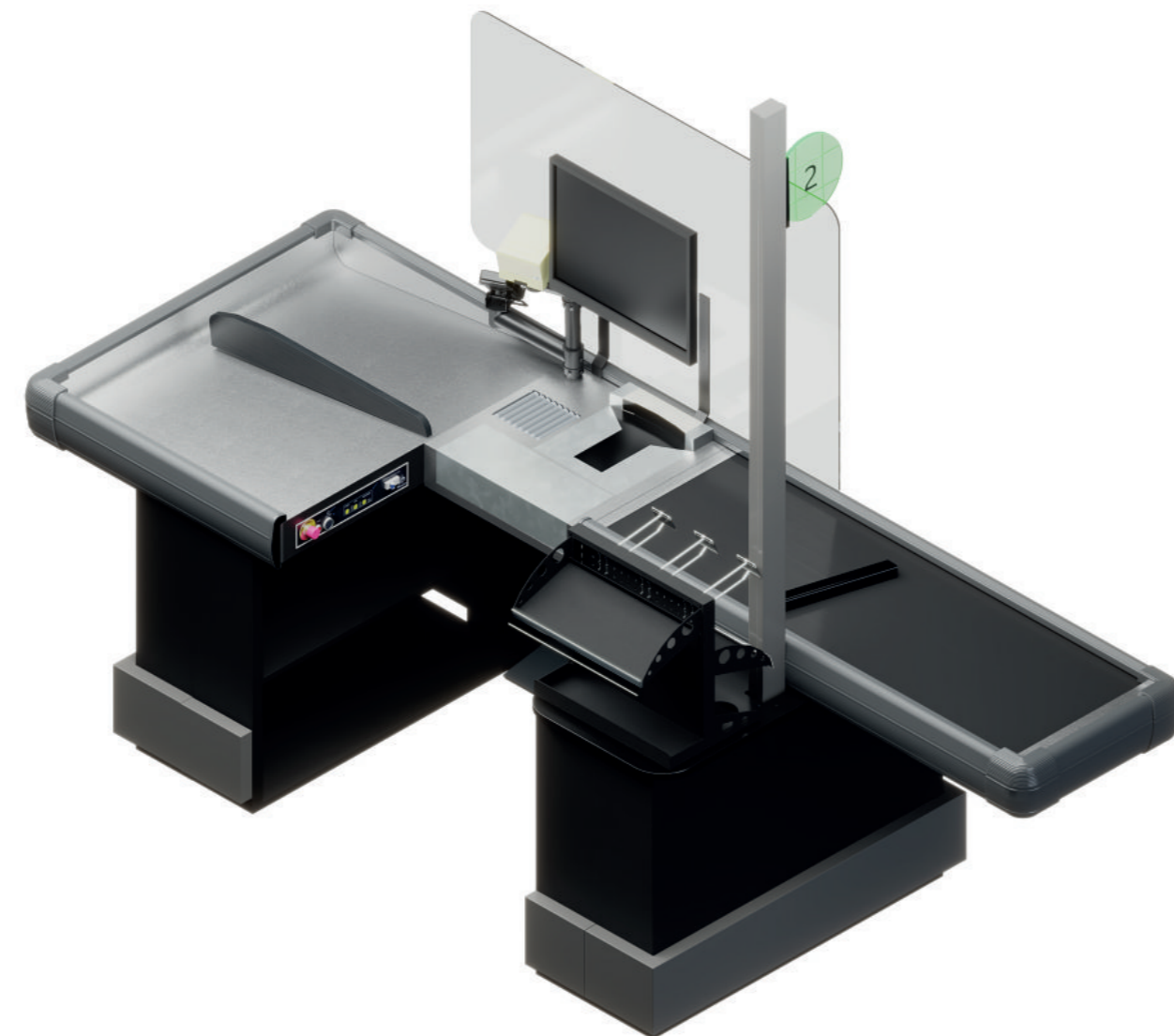
**DELEGACIONES EN LA PENINSULA IBÉRICA
BRANCHES IN THE IBERIAN PENINSULA**
DELEGACIÓN CATALUÑA - BARCELONA
POLIGONO INDUSTRIAL MOLI D'EN XECH
Calle Barneda, Nº 17 nave 25
Frente Rio Ripoll
08291-RIPOLLET
TEL: 93 231 34 75
Barcelona@marsanz.es

DELEGACIÓN ANDALUCÍA - SEVILLA
AVDA. DEL PARSÍ
POL.IND. MINI PARSÍ, NAVE 9
41016 SEVILLA
TEL: 95 451 12 45
andalucia@marsanz.es

**DELEGACIÓN ZONA NORTE
SANTANDER**
TEL: 616 430 896
luiselola@marsanz.es

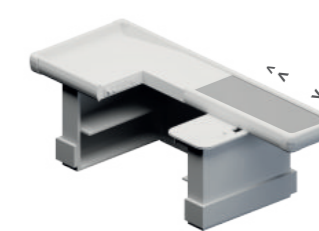
DELEGACIÓN LEVANTE - ALICANTE
C/ CAMPELLO, 13
POL. IND. LA CALA
03509 FINESTRAT - ALICANTE
TEL: 96 680 27 04
levante@marsanz.es

DELEGACIÓN PORTUGAL
TEL: 683 248 010
ruibeco@marsanz.es



DECO LINE
FRONT MODULE

D1



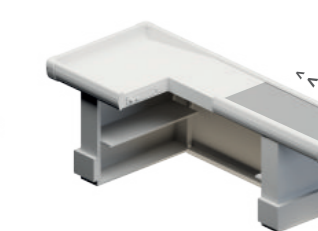
**WITH CONVEYOR
BELT**
< 1530 - 1730 - 1930
2130 - 2330 - 2530
2730 >

D2



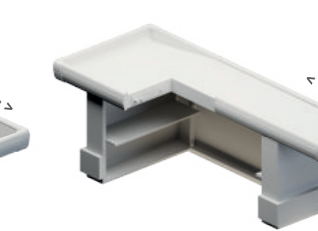
**WITHOUT CONVEYOR
BELT**
< 1530 - 1730 - 1930 >

D3

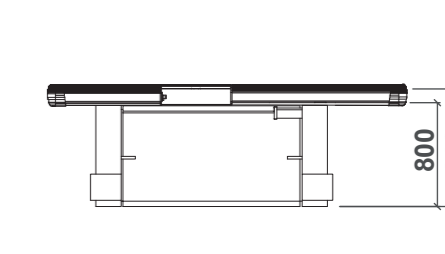
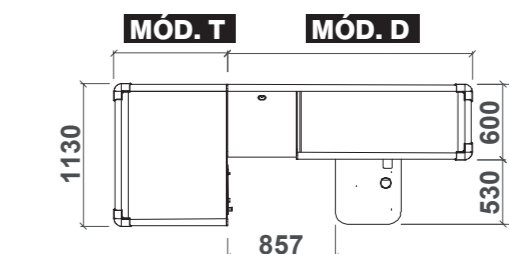


**WITH CONVEYOR
BELT**
< 1530 - 1730 - 1930
2130 - 2330 - 2530
2730 >

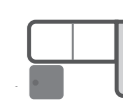
D4



**WITHOUT CONVEYOR
BELT**
< 1530 - 1730 - 1930 >



LEFT



RIGHT



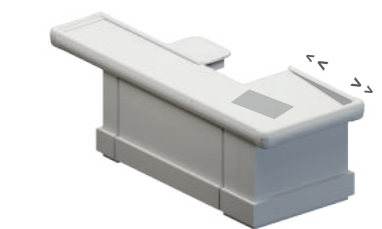
DECO LINE
REAR MODULE

T1



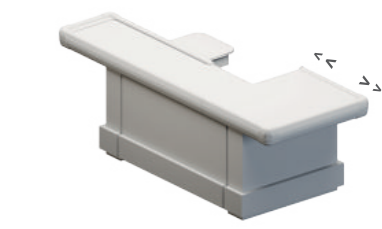
**WIDE REAR MODULES
WITHOUT CONVEYOR BELT**
< 500 - 700 - 900
1000 - 1200 - 1400 >

T2



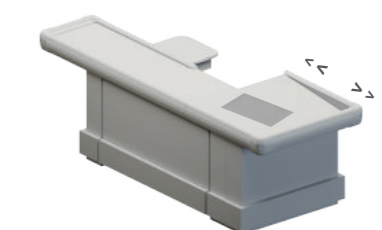
**WIDE REAR MODULES
WITH CONVEYOR BELT**
< 1200 - 1400 >

T3



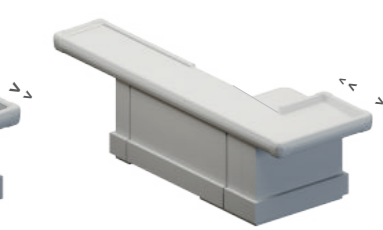
**WIDE PLAIN REAR MODULES
WITHOUT CONVEYOR BELT**
< 500 - 700 - 900
1000 - 1200 >

T4



**WIDE REAR MODULES
WITH ROLLER BAND**
< 1000 - 1200 - 1400 >

T5



**WIDE REAR MODULES
WITH "L" SHAPED**
< 1400 >

T6



**STRAIGHT REAR MODULES
WITHOUT CONVEYOR BELT**
< 500 - 700 - 900
1000 - 1200 >

T8



**STRAIGHT PLAIN MODULES
WITHOUT CONVEYOR BELT**
< 500 - 700 - 900
1000 - 1200 >



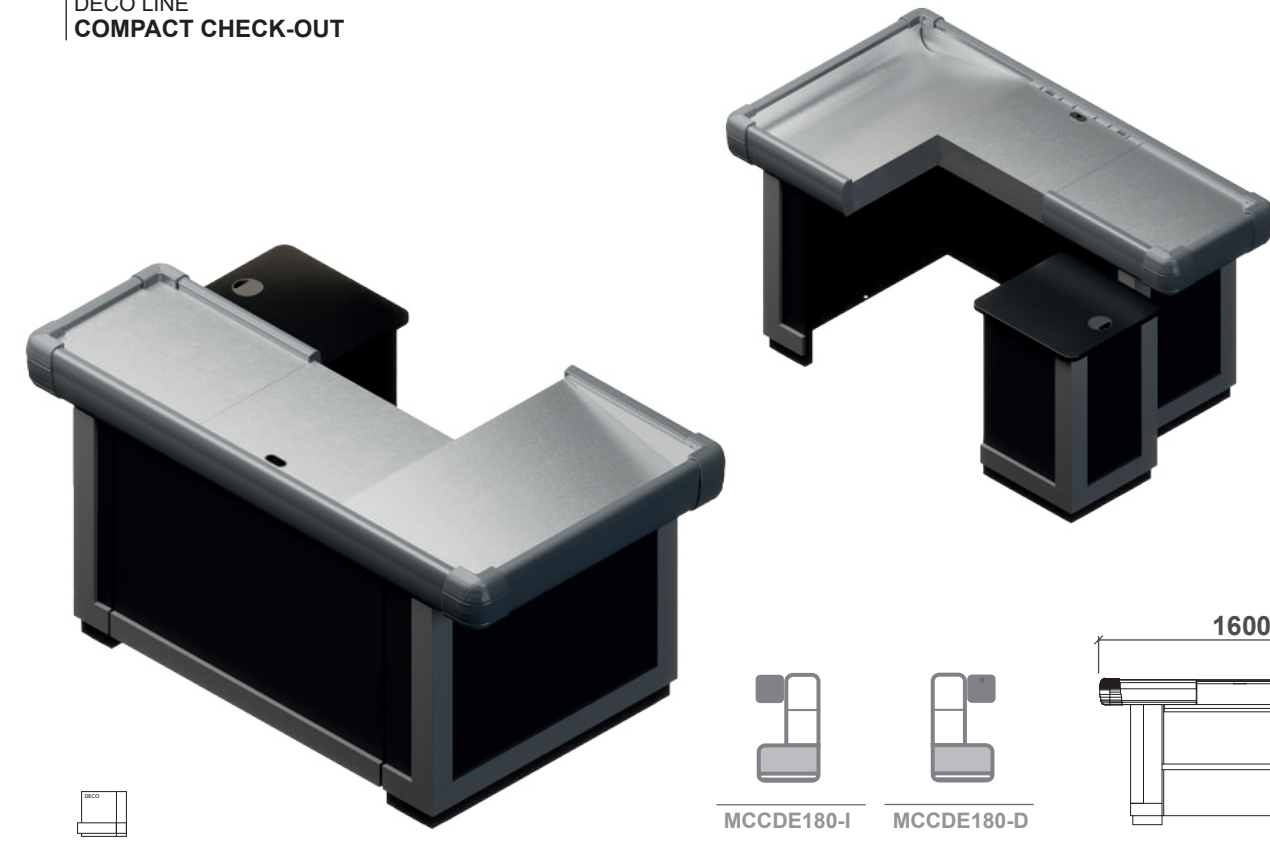
OUR FULL LINE OF
PRODUCTS AND ACCESSORIES



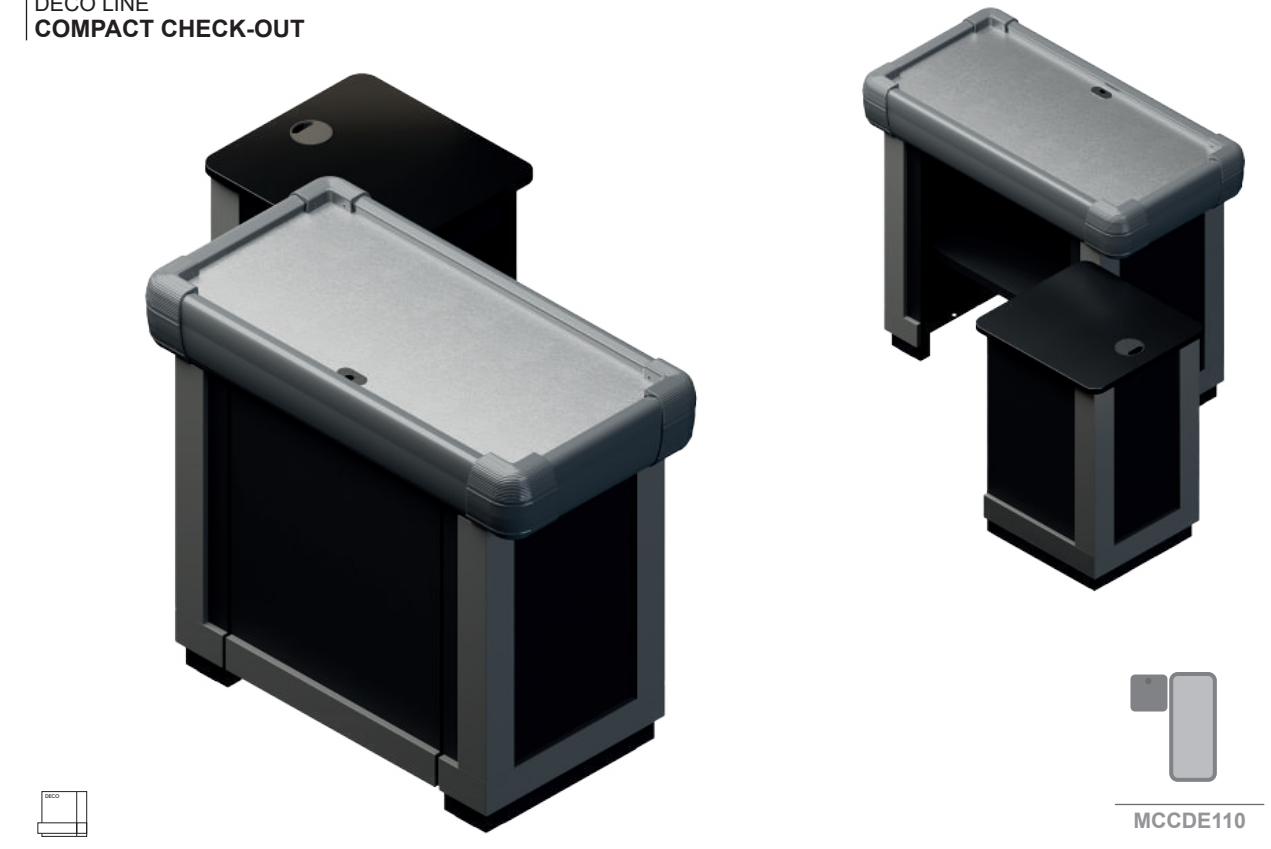
DECO LINE
CHECK-OUT



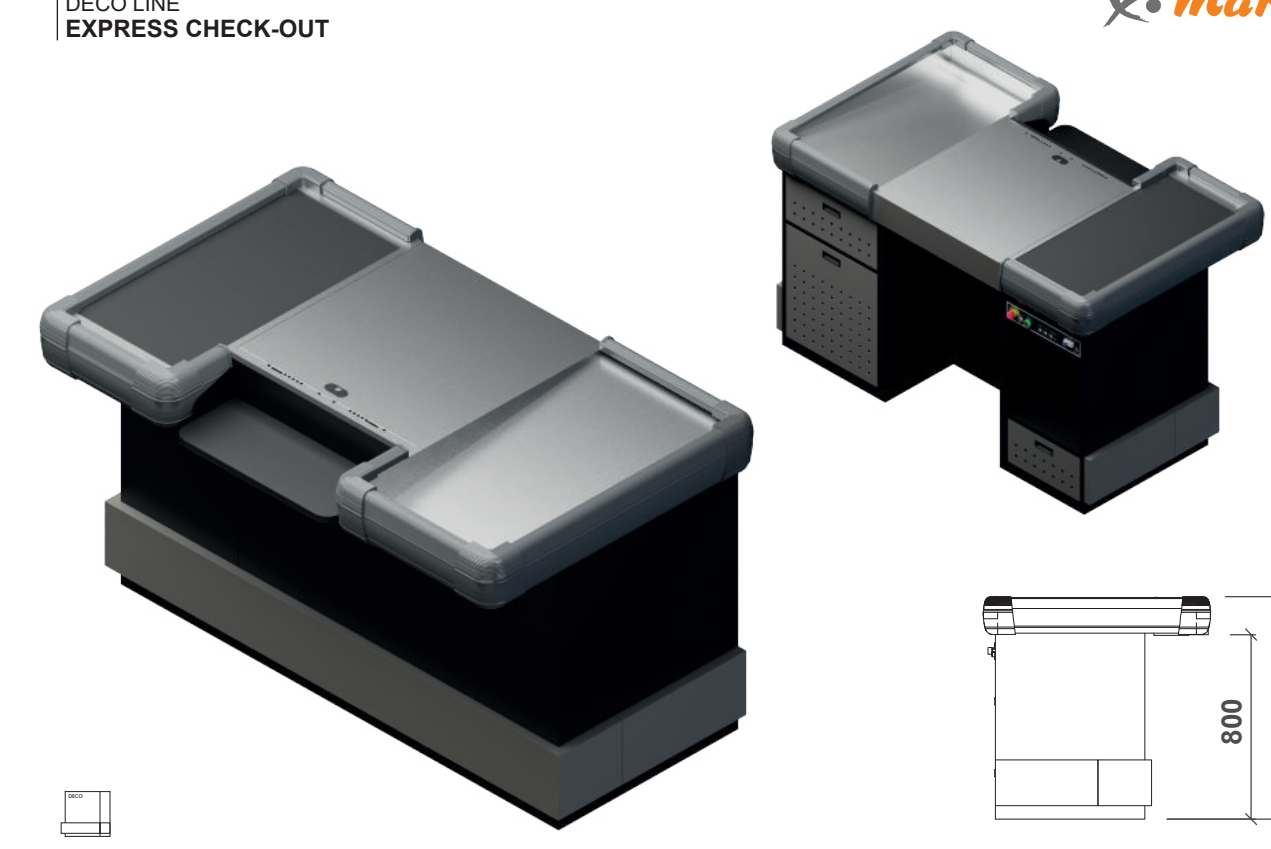
DECO LINE
COMPACT CHECK-OUT



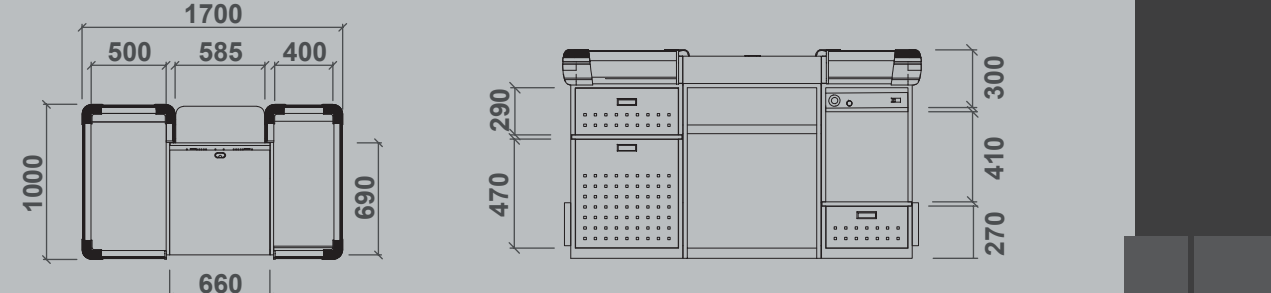
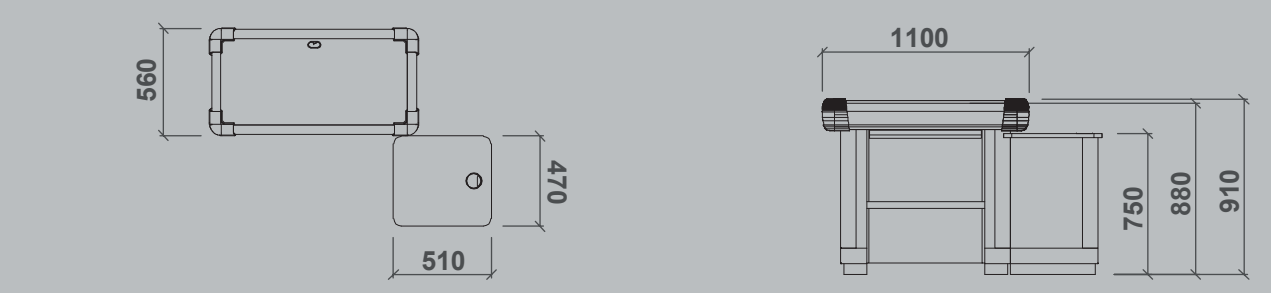
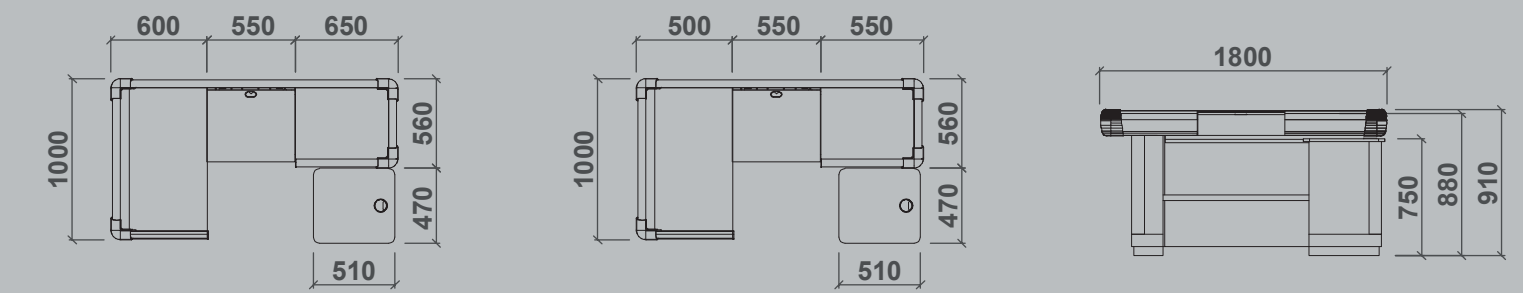
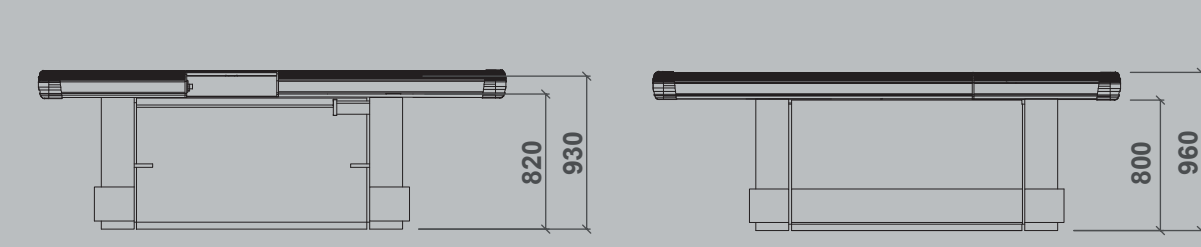
DECO LINE
COMPACT CHECK-OUT



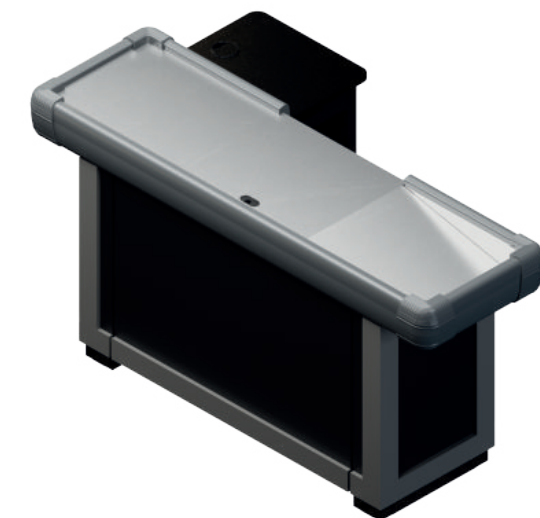
DECO LINE
EXPRESS CHECK-OUT



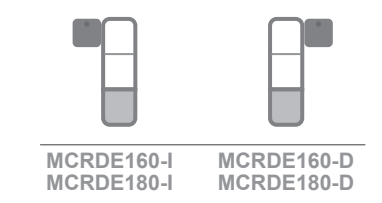
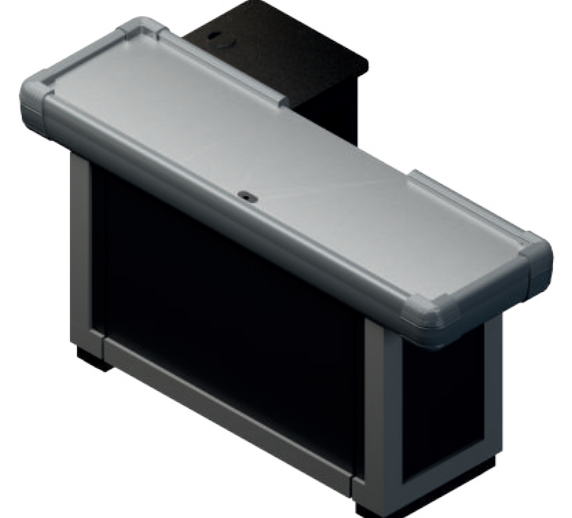
EXPRESS DECO 800 1000



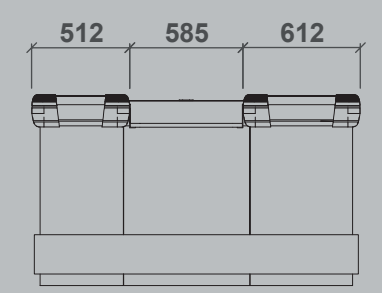
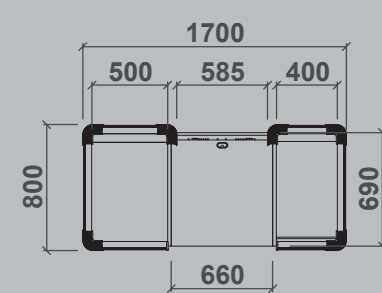
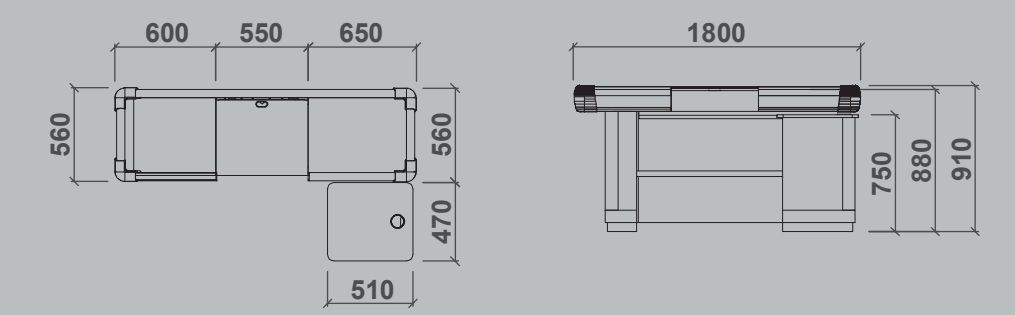
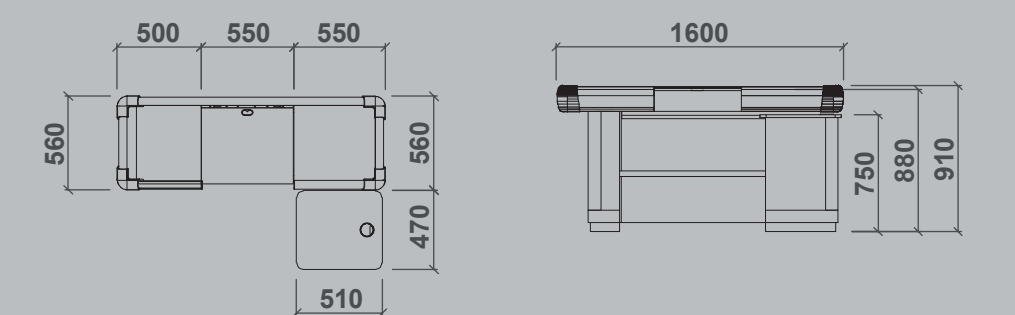
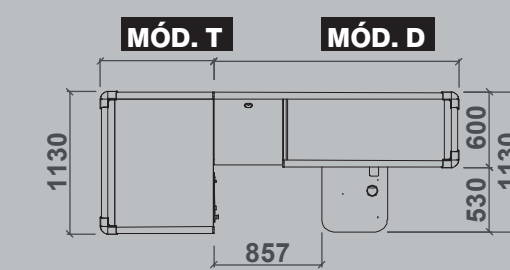
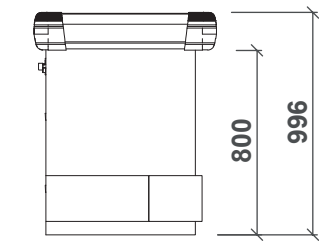
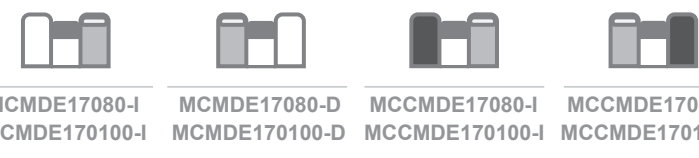
MAIN FEATURES
CHECK-OUT



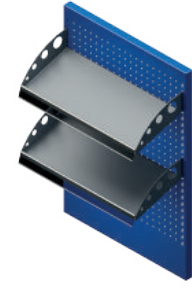
Structural concept adapted to the last innovations in check-outs, printers and other system. Adapted to your corporate image.



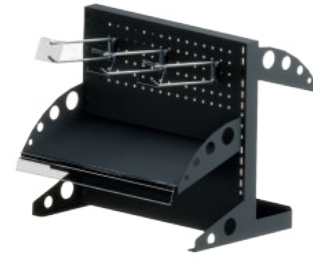
Functionality, quality and ergonomic are the base of our developments. A large range for all kind of stores, wholesalers or retailers.



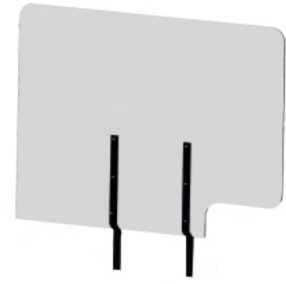
ERGO LINE
ACCESSORIES



CÓD. FPEVMCM
shelves anchored to panel.



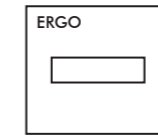
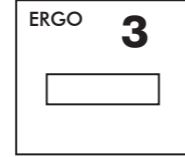
CÓD. MASD416450
Countertop front check-out module.



CÓD. CMD13085
Methacrylate protector
code. SMD13085
Support code. SMD13085

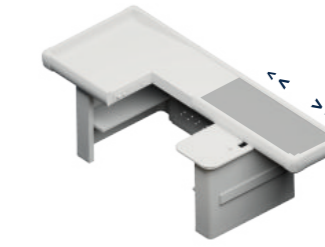


CÓD. INRL2F
Multifunctional indicator.
sign pole Code. PININ
Extensión pole code. EPININ



ERGO LINE
FRONT MODULES

D1



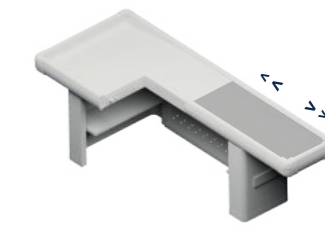
WITH CONVEYOR BELT
< 1530 - 1730 - 1930
2130 - 2330 - 2530
2730 >

D2



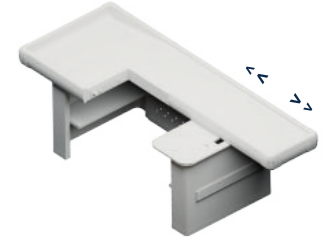
WITHOUT CONVEYOR BELT
< 1530 - 1730 - 1930 >

D3

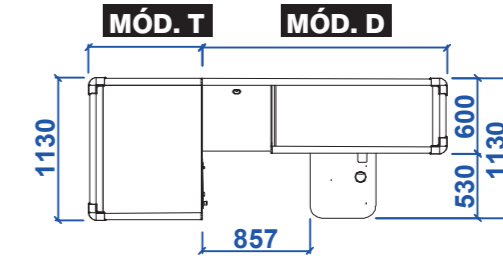


WITH CONVEYOR BELT
< 1530 - 1730 - 1930
2130 - 2330 - 2530
2730 >

D4



WITHOUT CONVEYOR BELT
< 1530 - 1730 - 1930 >



RIGHT



LEFT



ERGO LINE
REAR MODULES

T1



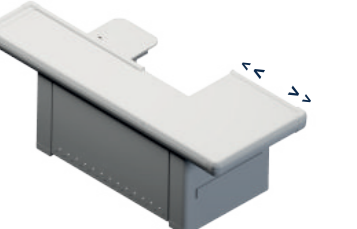
WIDE REAR MODULES WITHOUT CONVEYOR BELT
< 500 - 700 - 900
1000 - 1200 - 1400 >

T2



WIDE REAR MODULES WITH CONVEYOR BELT
< 1200 - 1400 >

T3



WIDE PLAIN REAR MODULES WITHOUT CONVEYOR BELT
< 500 - 700 - 900
1000 - 1200 >

T4



WIDE REAR MODULES WITH ROLLER BAND
< 1000 - 1200 - 1400 >

T5



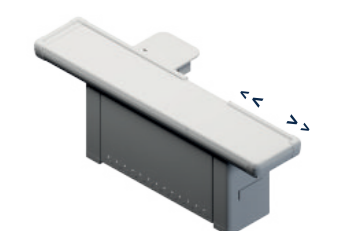
WIDE REAR MODULES WITH "L" SHAPED
< 1400 >

T6



STRAIGHT REAR MODULES WITHOUT CONVEYOR BELT
< 500 - 700 - 900
1000 - 1200 >

T8



STRAIGHT PLAIN MODULES WITHOUT CONVEYOR BELT
< 500 - 700 - 900
1000 - 1200 >



CÓD. Customizable



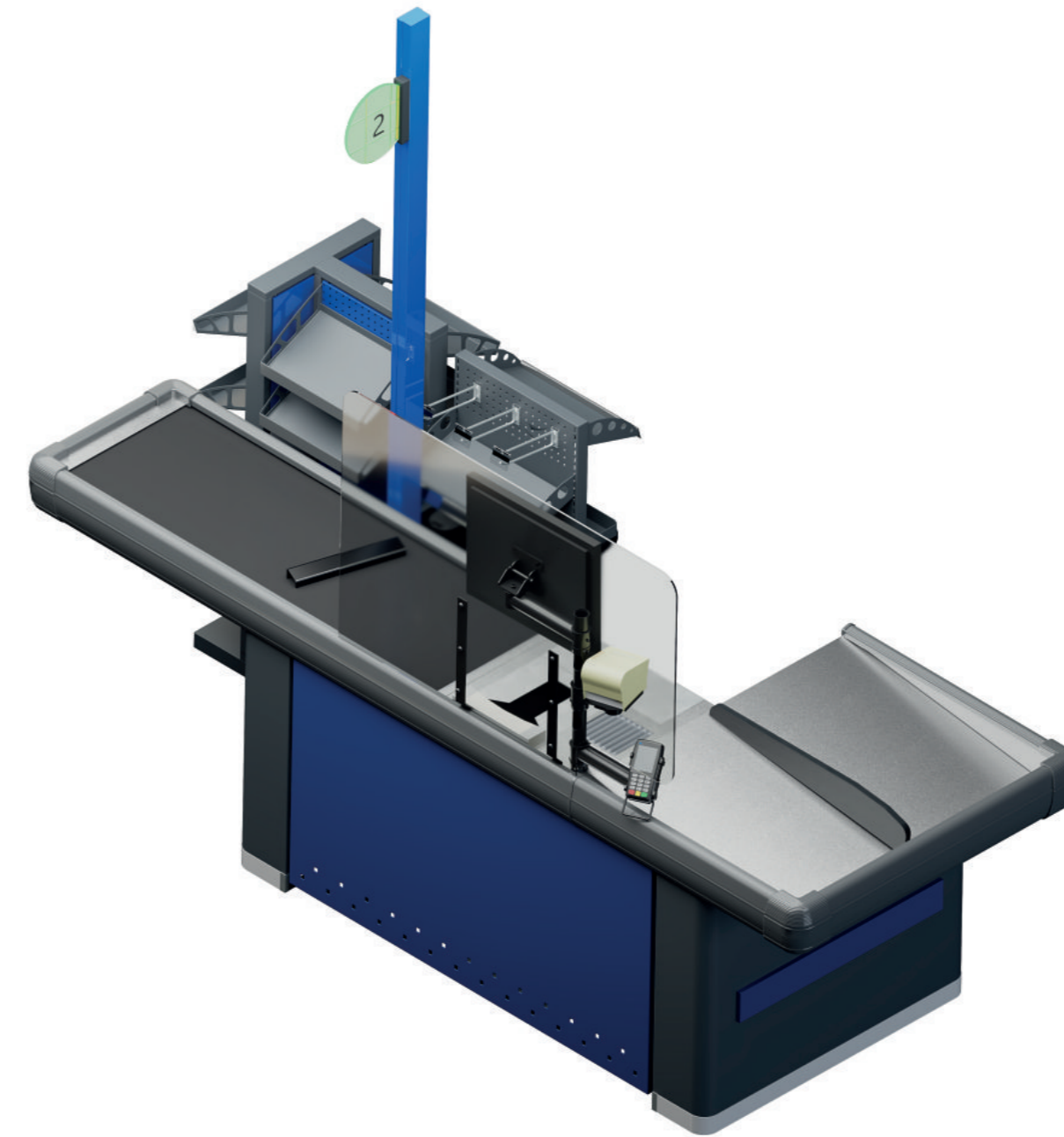
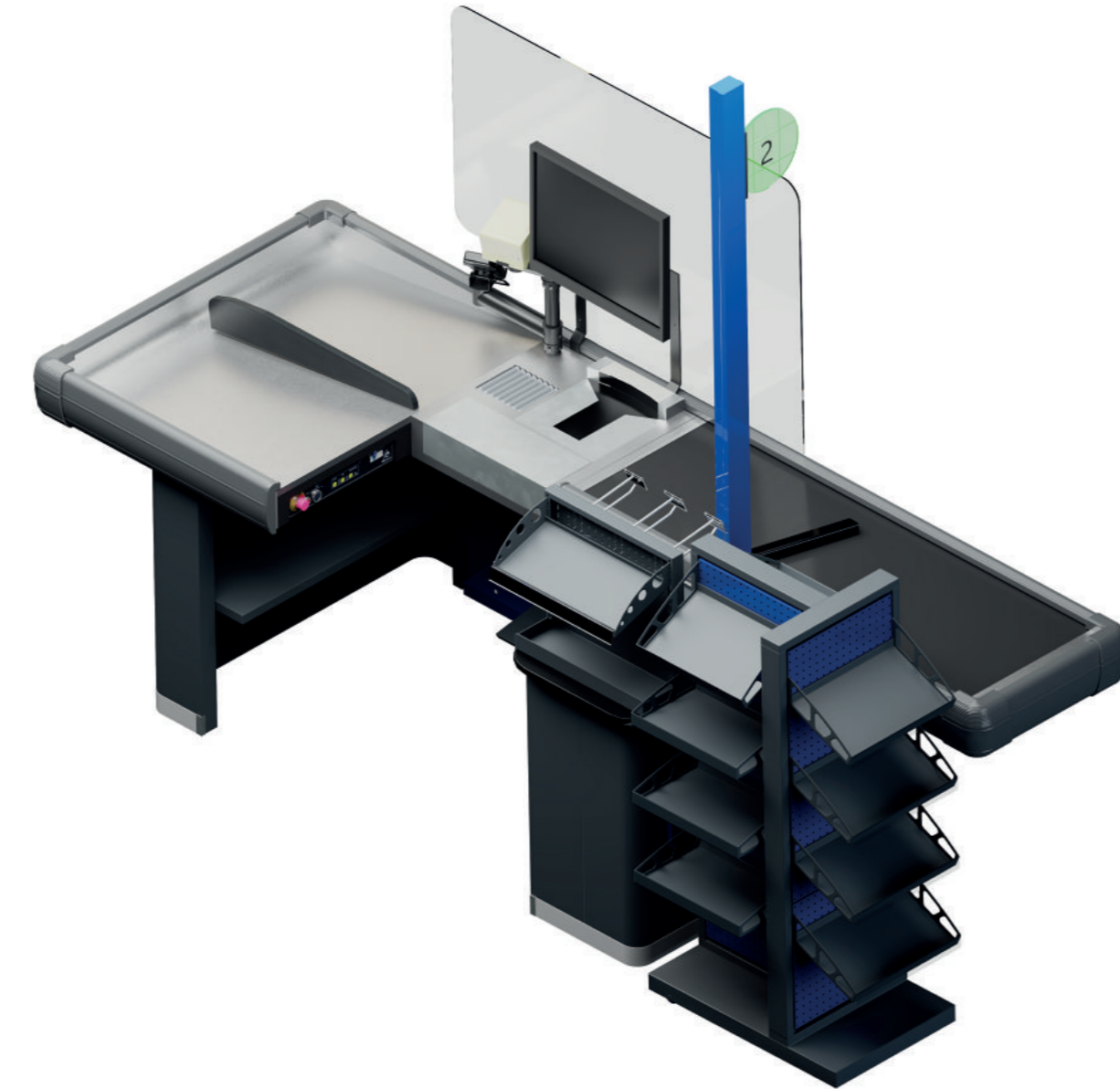
CÓD. RREG
Height adjustable footrest.



CÓD. PMSE8553
Methacrylate with support.
Metacrílato protector 850X6
cód. SMCS8569.



CÓD. PDMCEG
Inner cover.



SEDE SOCIAL - HEAD OFFICE
Calle Hierro, 27
28850 Torrejón de Ardoz
MADRID, ESPAÑA - SPAIN
TEL: 91 675 14 34 / (34) 91 677 10 92
creaciones@marsanz.es

INTERNACIONAL
EXPORT DIVISION
export@marsanz.es

FRANCIA - FRANCE
MARSANZ FRANCE SAS
TEL: +33 (0) 1 30 88 82 95
info@marsanz.fr
www.marsanz.fr

REINO UNIDO
UNITED KINGDOM
MARSANZ UK Ltd.
TEL: +44 (0) 16 18 81 85 15
info@marsanz.co.uk

DELEGACIÓN CANARIAS
TEL: 683 22 33 06
arturobadillo@marsanz.es

DELEGACIONES EN LA PENINSULA IBÉRICA
BRANCHES IN THE IBERIAN PENINSULA
DELEGACIÓN CATALUÑA - BARCELONA
POLIGONO INDUSTRIAL MOLLI D'EN XECH
Calle Barneda, Nº 17 nave 25
Frente Rio Ripoll
08291-RIPOLLET
TEL: 93 231 34 75
Barcelona@marsanz.es

DELEGACIÓN ANDALUCÍA - SEVILLA
AVDA. DEL PARSÍ
POL.IND. MINI PARSÍ, NAVE 9
41016 SEVILLA
TEL: 95 451 12 45
andalucia@marsanz.es

DELEGACIÓN ZONA NORTE
SANTANDER
TEL: 616 430 896
luiselola@marsanz.es

DELEGACIÓN LEVANTE - ALICANTE
C/ CAMPELLO, 13
POL. IND. LA CALA
03509 FINESTRAT - ALICANTE
TEL: 96 680 27 04
levante@marsanz.es

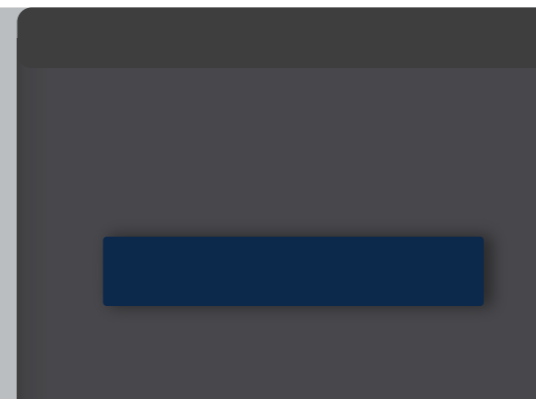
DELEGACIÓN PORTUGAL
TEL: 683 248 010
ruibeco@marsanz.es

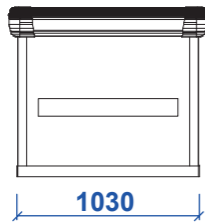
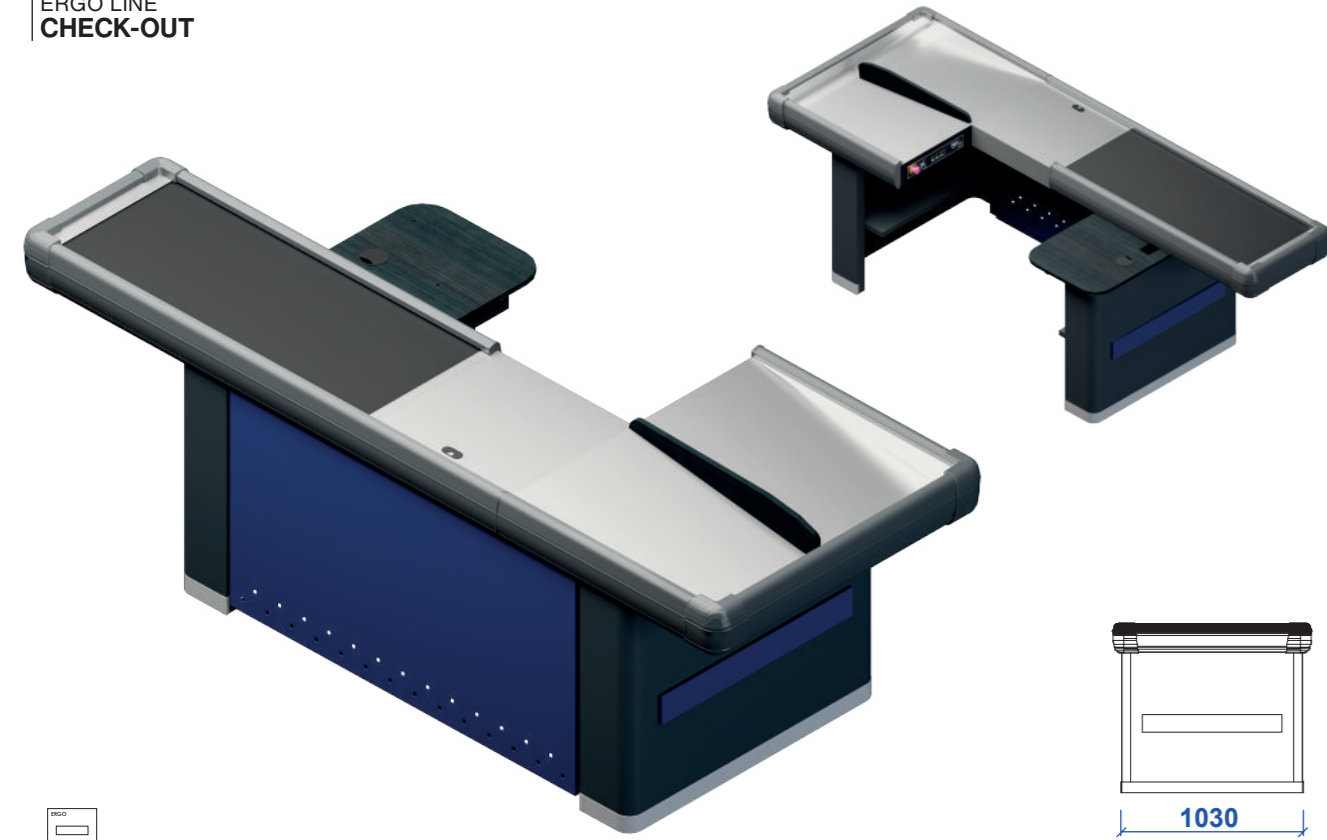


OUR FULL LINE OF
PRODUCTS AND ACCESSORIES



ERGO

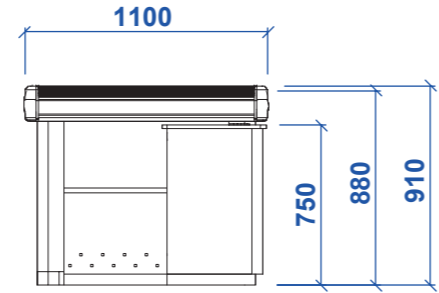
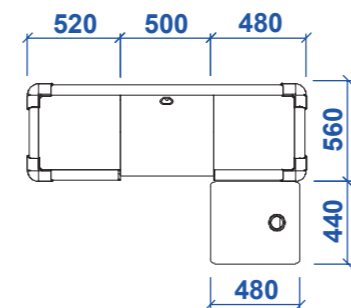
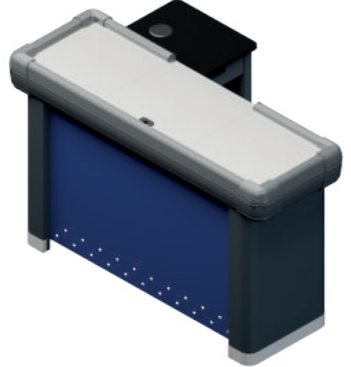
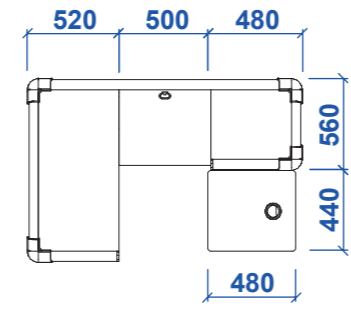
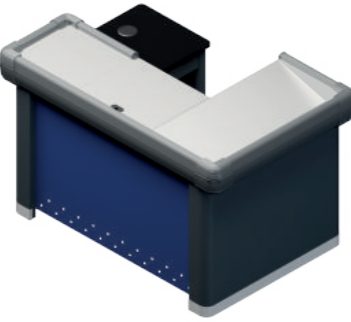
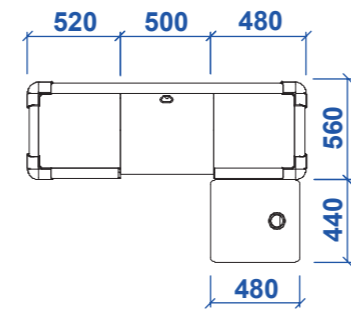
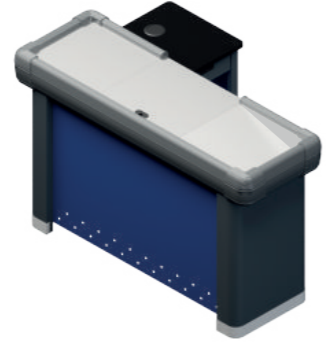
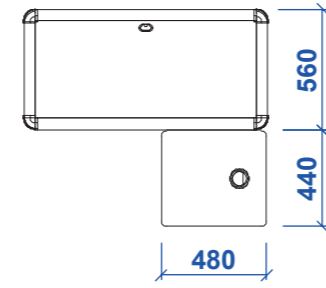
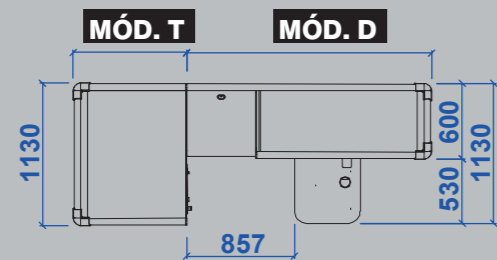




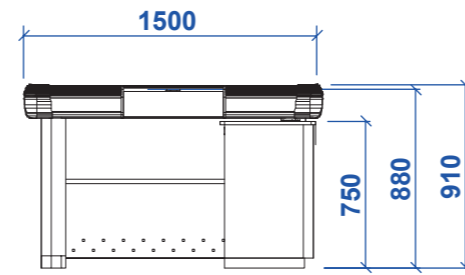
CHECK-OUT ERGO



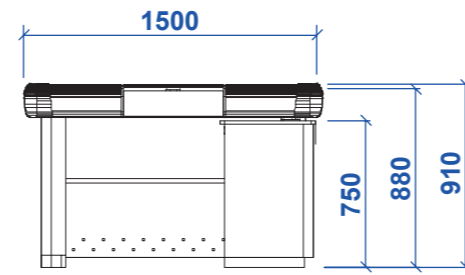
Functionality, quality and ergonomic are the base of our developments. A large range for all kind of stores, wholesalers or retailers. Structural concept adapted to the last innovations in check-outs, printers and other systems. Adapted to your corporate image.



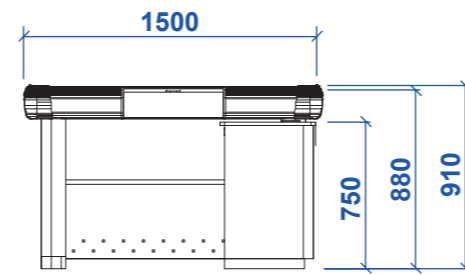
MREG110



MREG150-I MREG150-D

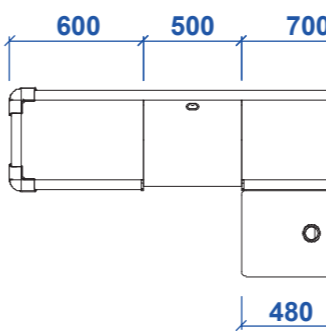
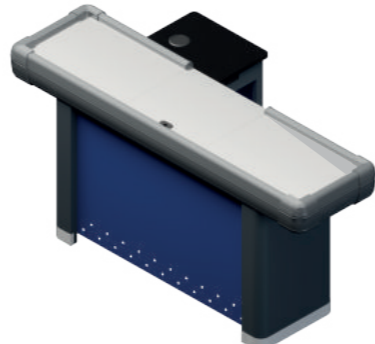
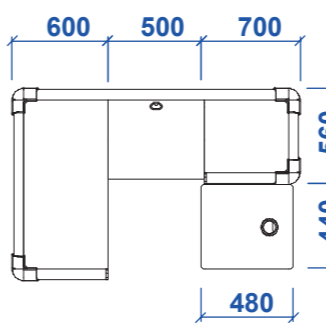
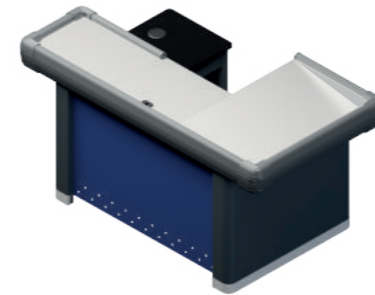
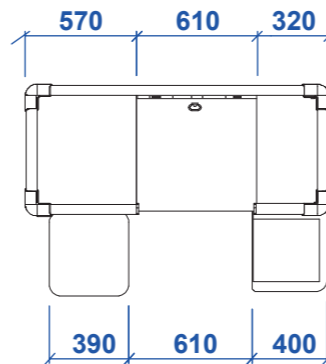
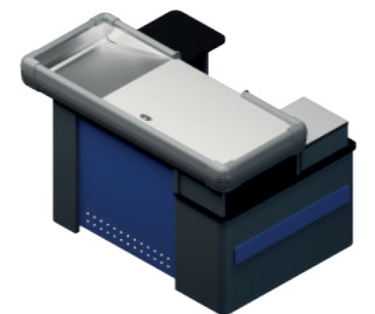
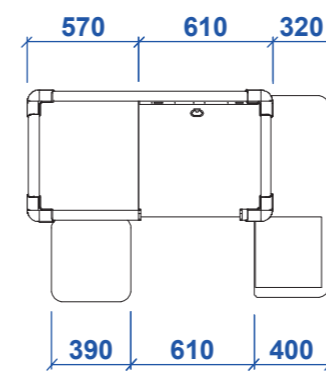
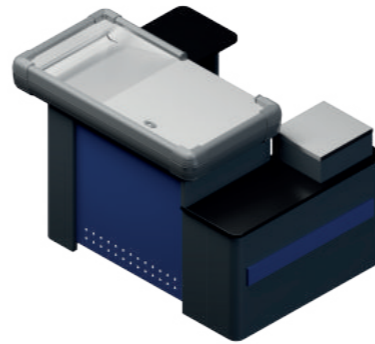


MCEG150-I MCEG150-D



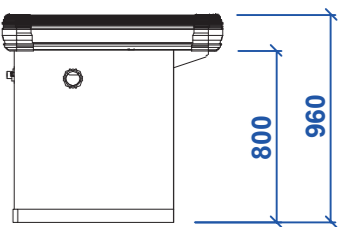
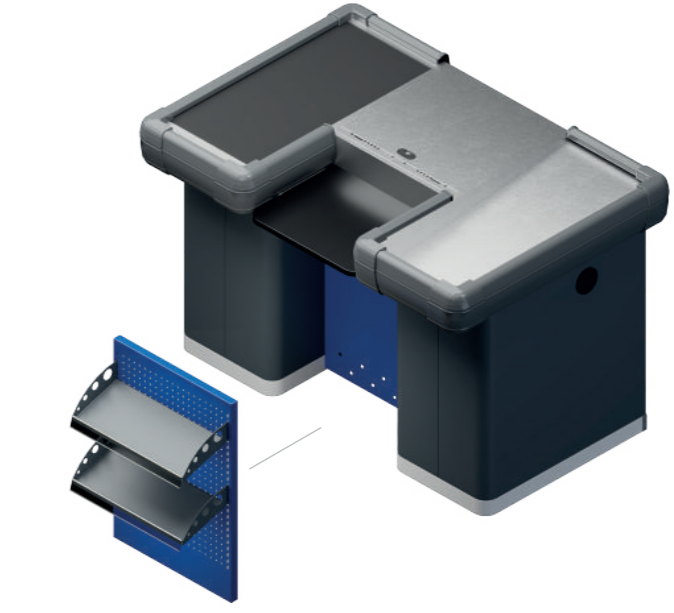
MCCEG150-I MCCEG150-D

COMPACT ERGO 1100 - 1500 - 1800

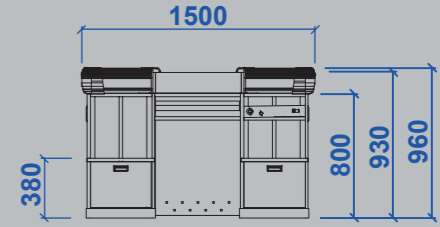
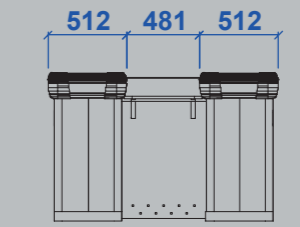


MREG178-I MREG178-D

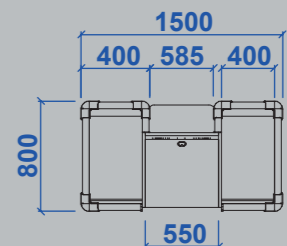
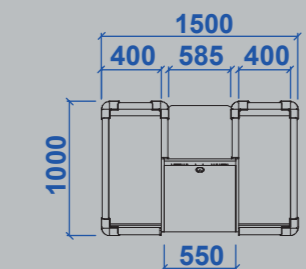
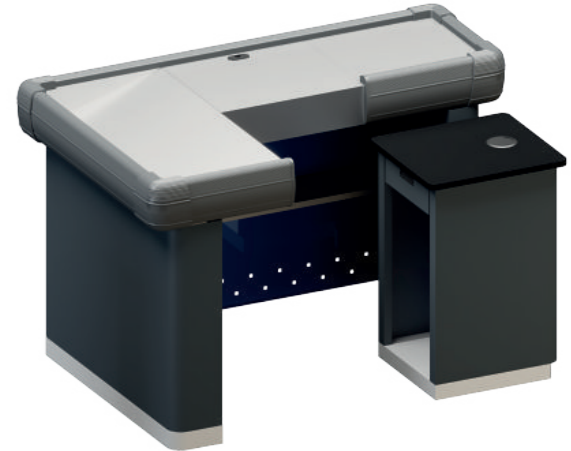
COMPACT ERGO 1100 - 1500 - 1800

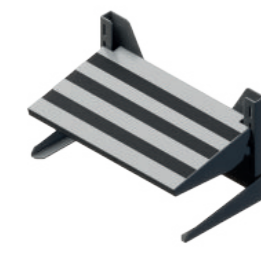


EXPRESS ERGO 800 - 1000



Auxiliary table
480x440x735
620x560x735





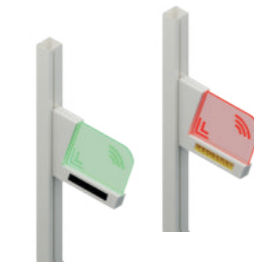
CÓD. RPPR
Height adjustable footrest.



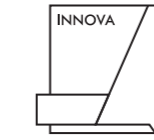
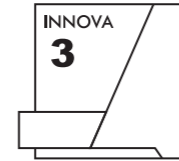
CÓD. CINIPCS
Inner cover.



CÓD. CSMMCIN
Methacrylate code. SMIN14085
Support code. SMMI



CÓD. INI4F
Multifunctional indicator
Sign pole Cod. PININ
Extension pole Cod. EPININ



INNOVA structure integrates common elements. It is ADAPTABLE to any sales area, trend or current technology. This is the result of knowledge and INNOVA-tion about the sector. Functionality and Image have been the principal premise while developing this new model of check-outs.



CÓD. TVCJ
Customer display pole.



CÓD. MVIM5050F186
Impulse sales table
50x50 F186.



CÓD. SEPEG
Next customer bar.



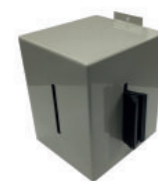
CÓD. SSCSSP
Support with sign.



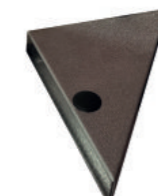
CÓD. Customizable



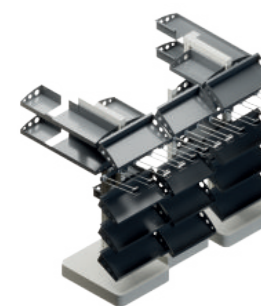
CÓD. CEI410PP
Shelves anchored to pole.



CÓD. CCMCC230
Extendable prohibited access gate.
Belt support Cód. SECC



CÓD. DESPEG
Product deviator.



CÓD. *Configurable
Front box composition.
EVIMAC y VIMAC



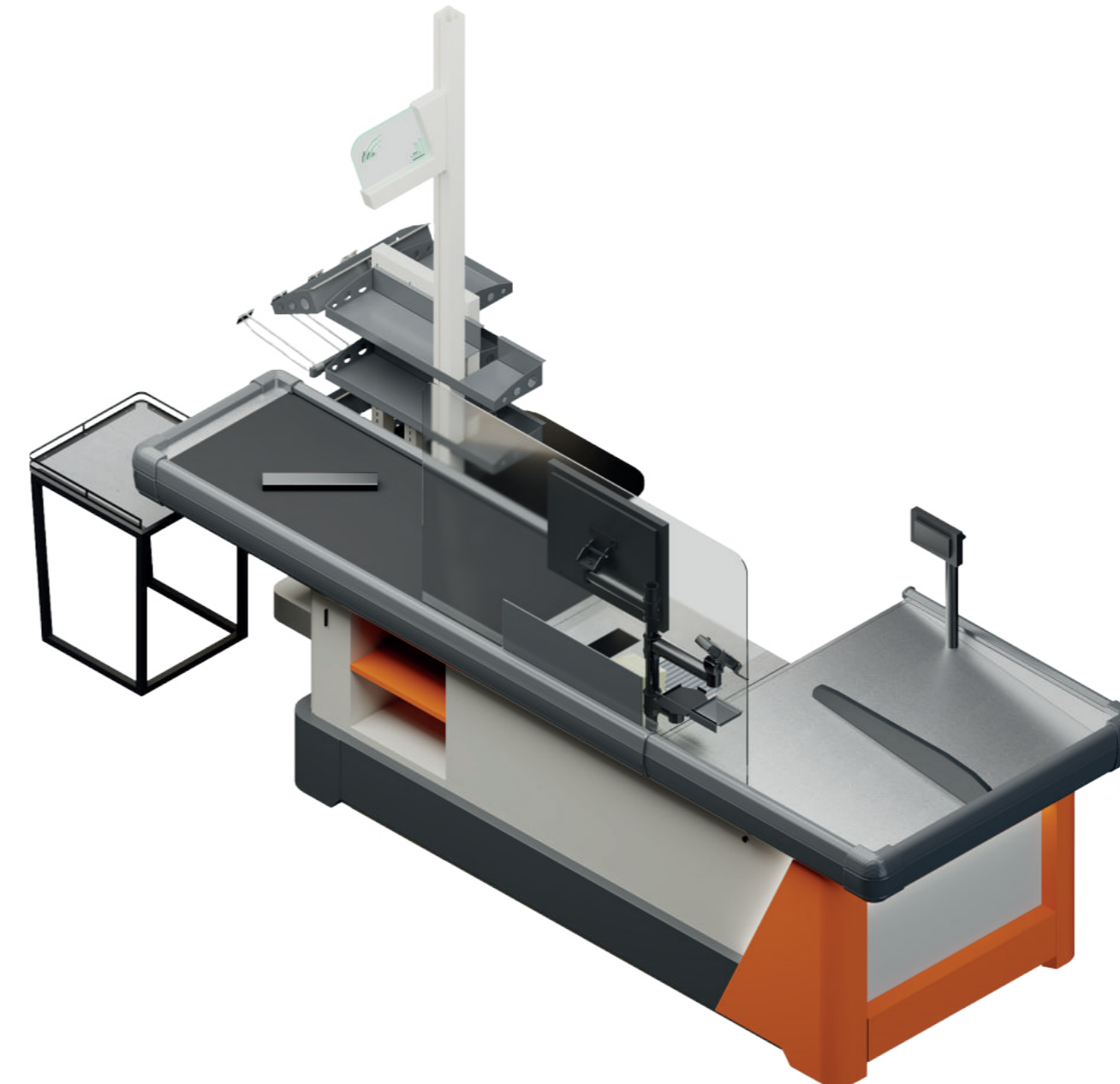
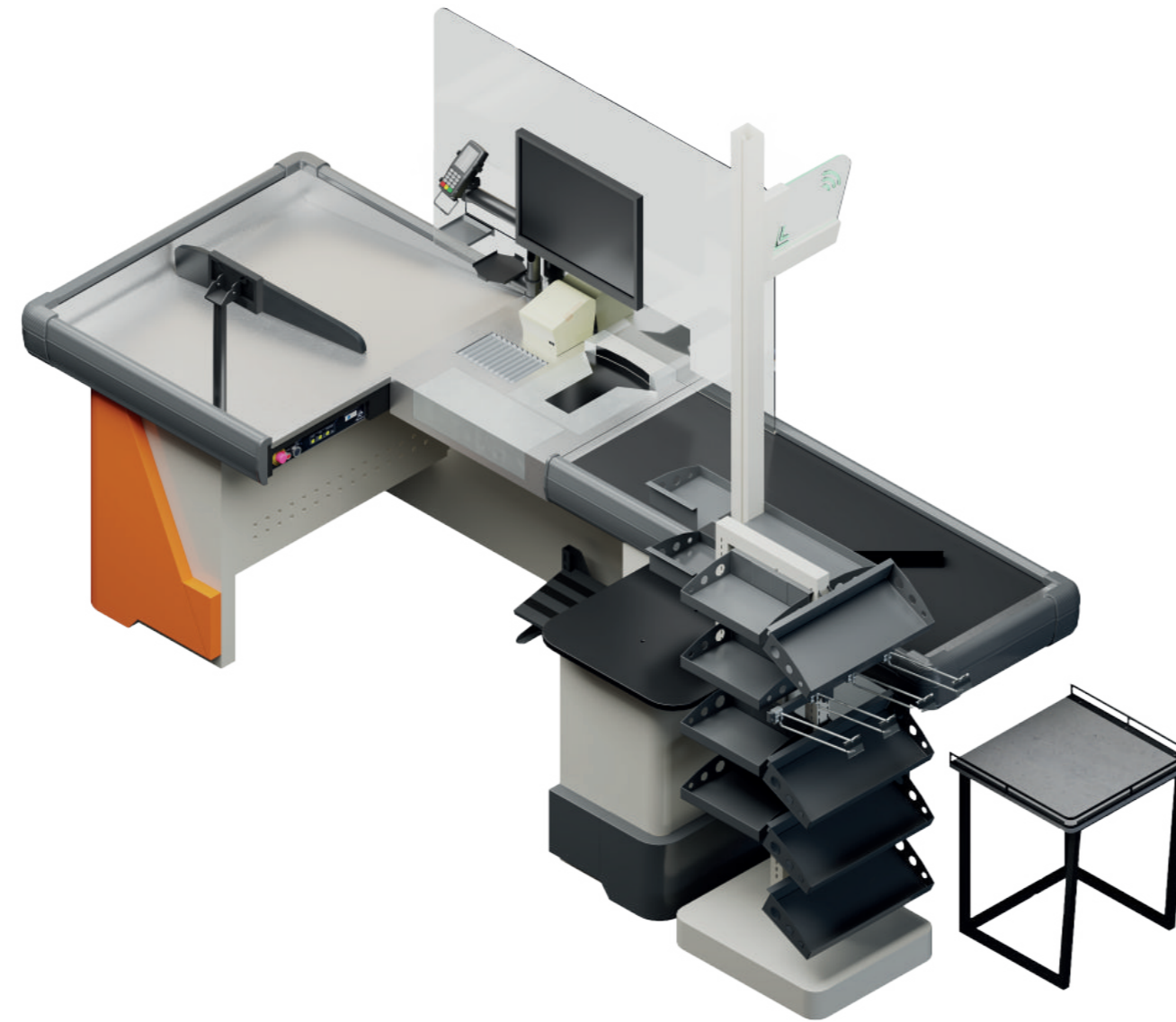
CÓD. EVIMAC410
Structure front check-out module. *Customizable.



CÓD. VIMAC
Structure front check-out module. *Customizable.



CÓD. FAMCIN
Presence detection photocells.



INNOVA Check-outs be equipped with indicators that interact with programmable electronic components. It offers different functions supported by visual and acoustic signage. Among its accessories it has an anti-theft alarm within the available equipment. These elements interact with surrounding elements for usability and hard demand of service bringing a correct ergonomomy at the working area as well as versatility in the adaptation of the accessories.

Created from lines that grants rhythm and clarity in the intense check out traffic. The models of the INNOVA Line with their different modulations and configurations cover the needs of different shopping areas and transmit a solid and different image.

Available in a wide variety of colors with the option to customize with your corporate lettering, check with our sales networks at www.marsanz.es

Line of check outs built in 3 modules.

FRONT module: with a wide offer of conveyor belts sizes for all types of sales portfolio.

CENTRAL module: the working area has many configurations and peripheral components adaptations to fit to the most efficient working mode.

BACK module: whose design conditions are the needs of each customer. Providing the most studied solutions for the convenience of the product collection.



SEDE SOCIAL - HEAD OFFICE
Calle Hierro, 27
28850 Torrejón de Ardoz
MADRID, ESPAÑA - SPAIN
TEL: 91 675 14 34 / (34) 91 677 10 92
creaciones@marsanz.es

FRANCIA - FRANCE
MARSANZ FRANCE SAS
TEL: +33 (0) 1 30 88 82 95
info@marsanz.fr
www.marsanz.fr

DELEGACIONES EN LA PENINSULA IBÉRICA
BRANCHES IN THE IBERIAN PENINSULA
DELEGACIÓN CATALUÑA - BARCELONA
POLIGONO INDUSTRIAL MOLÍ D'EN XECH
Calle Barneda, Nº 17 nave 25
Frente Rio Ripoll
08291-RIPOLLET
TEL: 93 231 34 75
Barcelona@marsanz.es

DELEGACIÓN ZONA NORTE
SANTANDER
TEL: 616 430 896
luiselola@marsanz.es

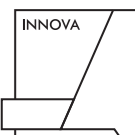
DELEGACIÓN LEVANTE - ALICANTE
C/ CAMPELLO, 13
POL. IND. LA CALA
03509 FINESTRAT - ALICANTE
TEL: 96 680 27 04
levante@marsanz.es

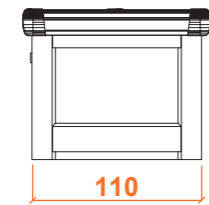
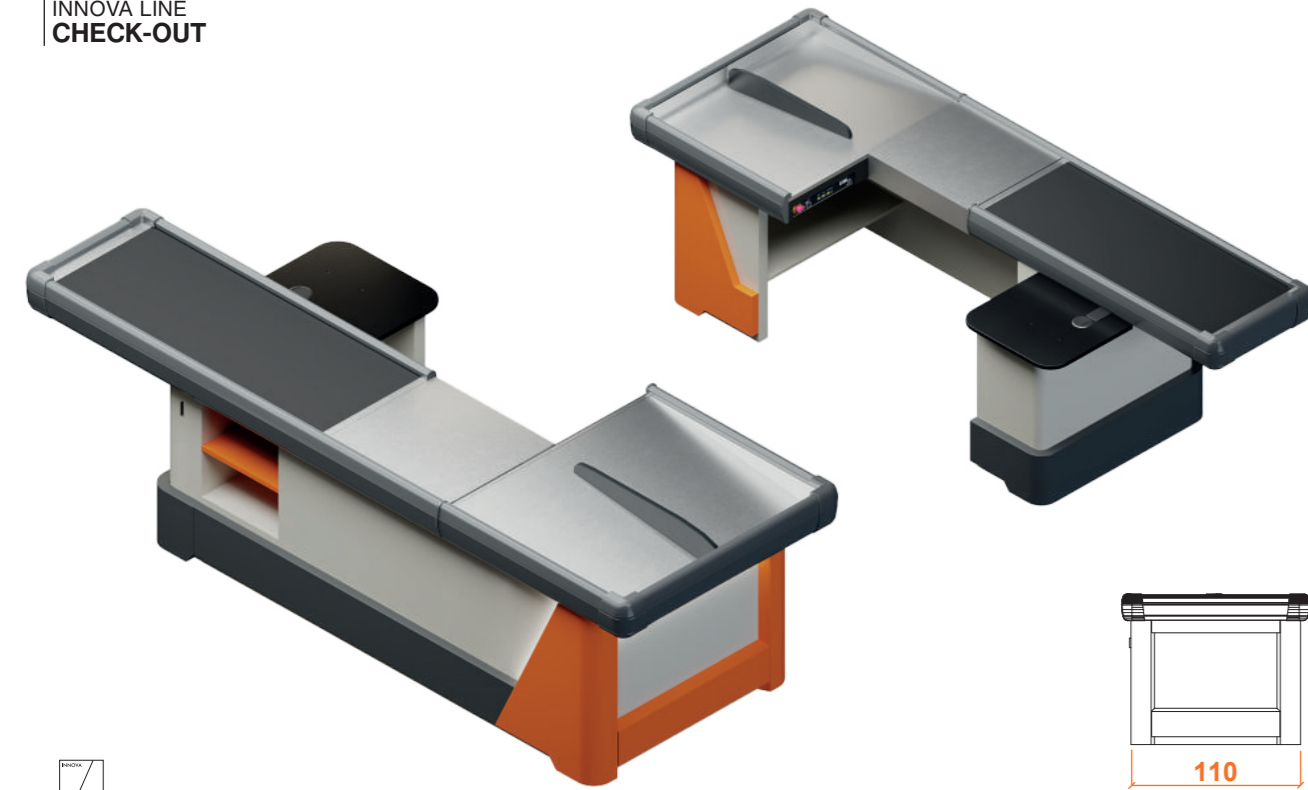
INTERNACIONAL
INTERNATIONAL
EXPORT DIVISION
export@marsanz.es

REINO UNIDO
UNITED KINGDOM
MARSANZ UK Ltd.
TEL: +44 (0) 16 18 81 85 15
info@marsanz.co.uk

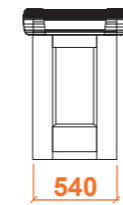
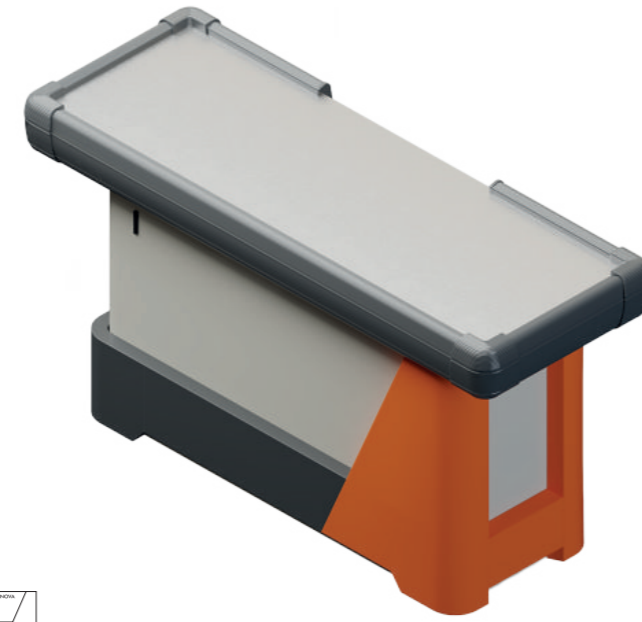
DELEGACIÓN ANDALUCÍA - SEVILLA
AVDA. DEL PARSÍ
POL.IND. MINI PARSÍ, NAVE 9
41016 SEVILLA
TEL: 95 451 12 45
andalucia@marsanz.es

DELEGACIÓN PORTUGAL
TEL: 683 248 010
ruibeco@marsanz.es

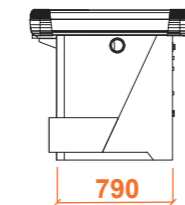
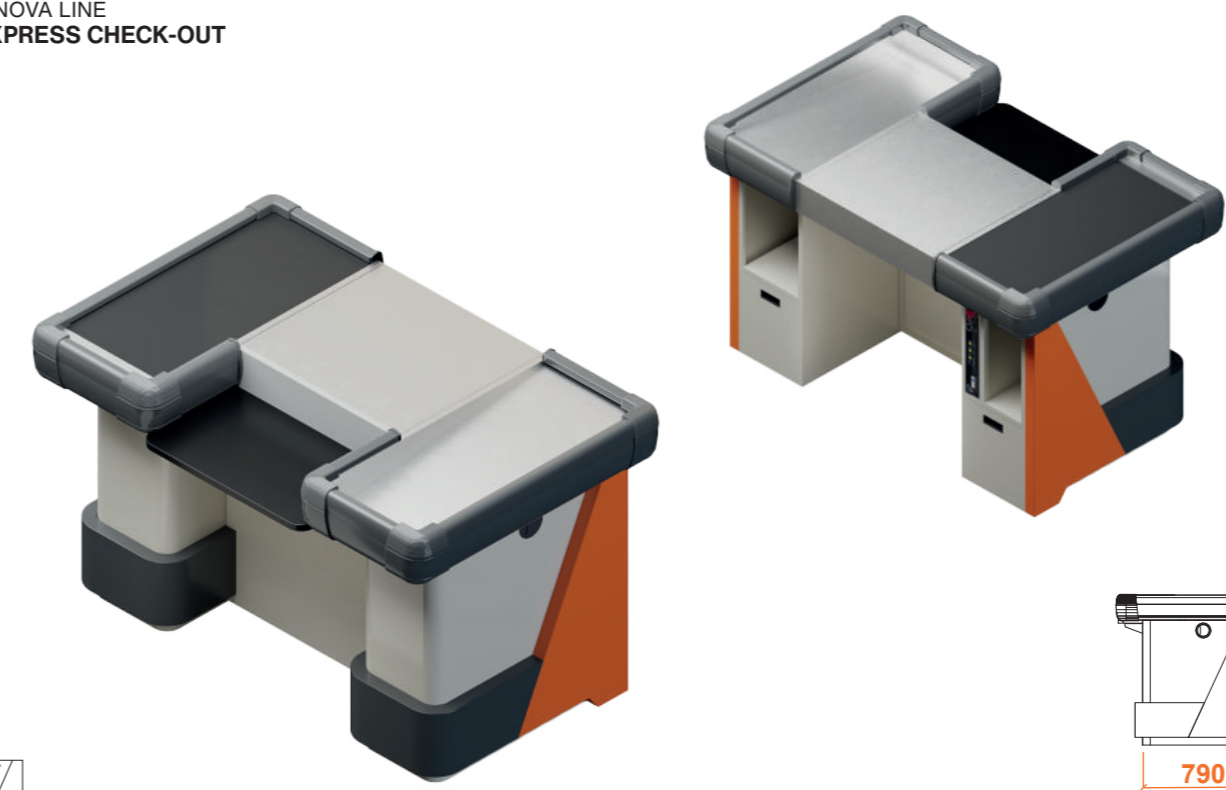




CHECK-OUT INNOVA

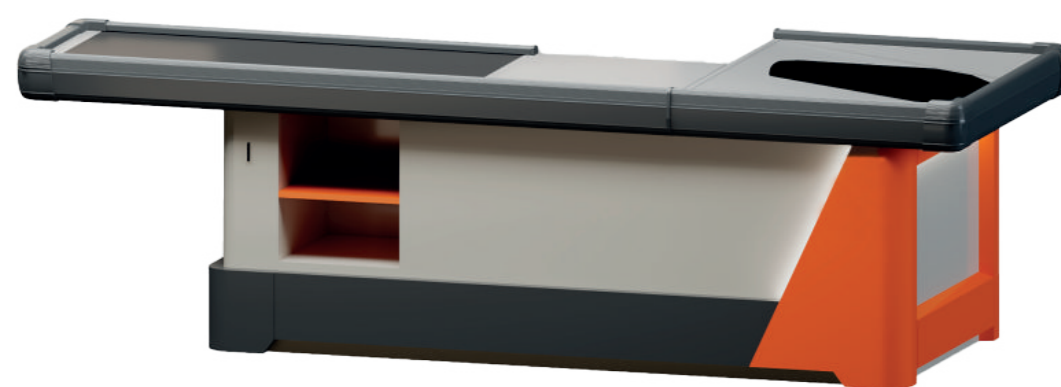
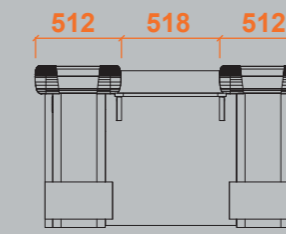
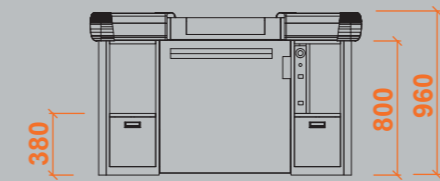
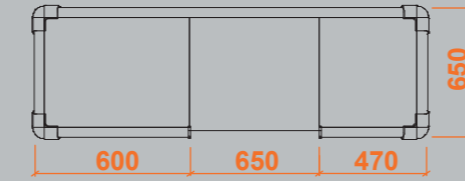
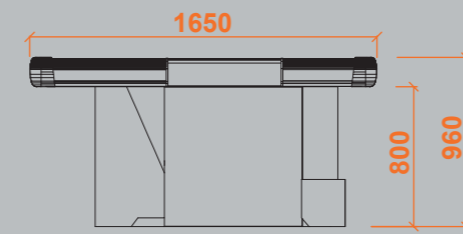
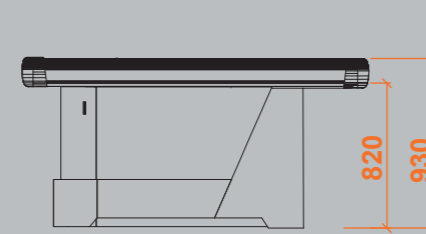
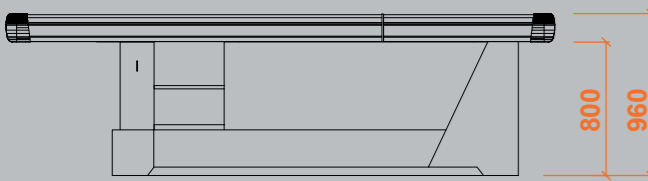
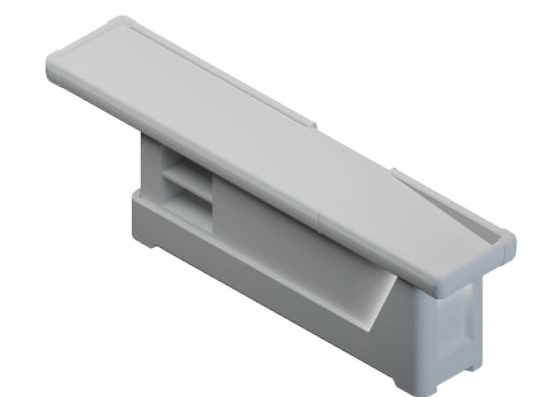
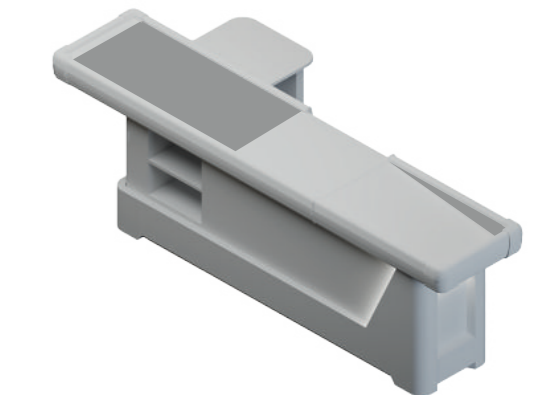
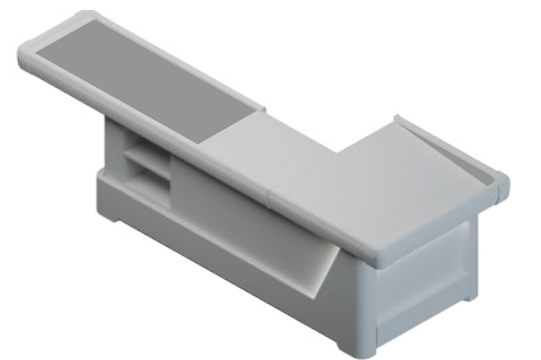
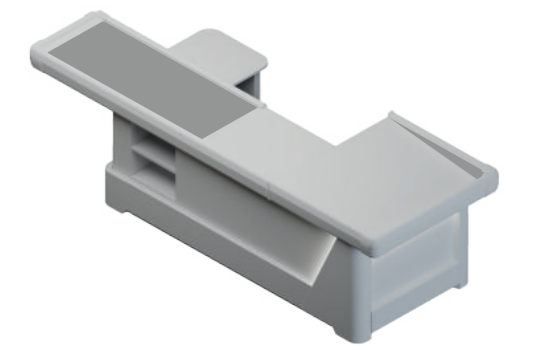


COMPACT INNOVA 1650 - 1850



EXPRESS INNOVA 1650 - 1850

CODE	FRONT MODULE	REAR MODULE
MCCIN2330-D MCCIN2330-I MCCIN2530-D MCCIN2530-I	980mm	700mm 900mm
MCCIN3030-D MCCIN3030-I MCC12IN3230-D MCC12IN3230-I	1380mm	1000mm 1200mm
MCC10IN3230-D MCC10IN3230-I MCCIN3430-D MCCIN3430-I	1580mm	1000mm 1200mm
MCCIN2330SD-D MCCIN2330SD-I MCCIN2530SD-D MCCIN2530SD-I	980mm	700mm 900mm
MCCIN3030SD-D MCCIN3030SD-I MCC12IN3230SD-D MCC12IN3230SD-I	1380mm	1000mm 1200mm
MCC10IN3230SD-D MCC10IN3230SD-I MCCIN3430SD-D MCCIN3430SD-I	1580mm	1000mm 1200mm
MCCRIN2330-D MCCRIN2330-I MCCRIN2530-D MCCRIN2530-I	980mm	700mm 900mm
MCCRIN3030-D MCCRIN3030-I MCCR12IN3230-D MCCR12IN3230-I	1380mm	1000mm 1200mm
MCCRIN2330SD-D MCCRIN2330SD-I MCCRIN2530SD-D MCCRIN2530SD-I	980mm	700mm 900mm
MCCRIN3030SD-D MCCRIN3030SD-I MCCRIN3230SD-D MCCRIN3230SD-I	1380mm 1580mm	1000mm 1200mm



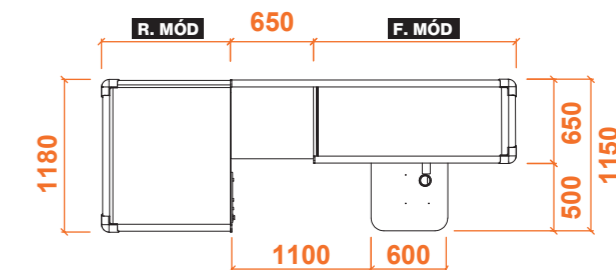
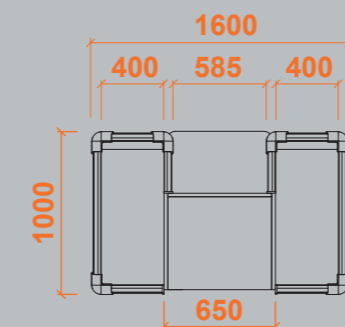
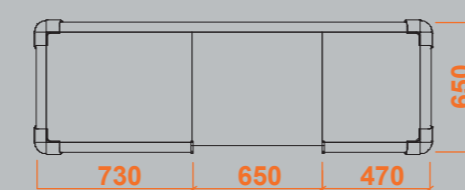
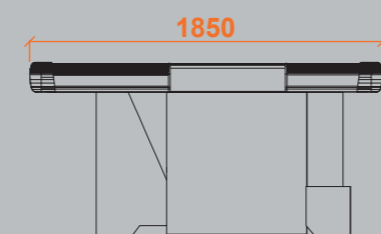
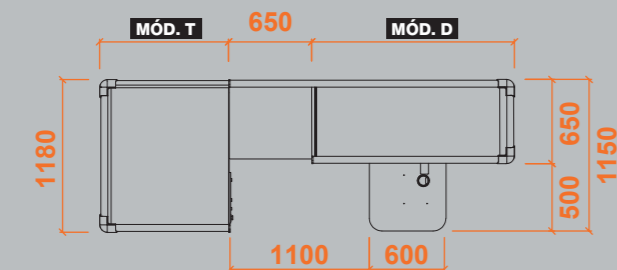
MCINRCP165-I MCINRCP165-D
MCINRCP185-I MCINRCP185-D
MCINRC185-I MCINRC185-D

- High quality steel and coatings.
- Ergonomic and functional according to standards.
- Adaptation to any computer peripheral.
- Adapted design to new market trends.
- Adapted design adapted to new market trends.
- Wide color range and configurations.
- Entirely Built by **Marsanz**.

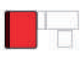




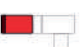



MCCM160100-I MCCM160100-D








Functionality, quality and ergonomic are the base of our developments. A large range for all kind of stores, wholesalers or retailers. Structural concept adapted to the last innovations in check-outs, printers and other systems. Adapted to your corporate image.



CON DADO AUXILIAR
WITH AUXILIARY DESK






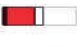


DERECHO RIGHT		D1							D2	
		1530	1730	1930	2130	2330	2530	2730	1530	1730
 T1	500	2045	2046	2047	2048	2049	2050	2051	2087	2088
	700	2052	2053	2054	2055	2056	2057	2058	2089	2090
	900	2059	2060	2061	2062	2063	2064	2065	2091	2092
	1000	2066	2067	2068	2069	2070	2071	2072	2093	2094
	1200	2073	2074	2075	2076	2077	2078	2079	2095	2096
	1400	2080	2081	2082	2083	2084	2085	2086	2097	2098
 T2	1200	2099	2100	2101	2102	2103	2104	2105	2113	2114
	1400	2106	2107	2108	2109	2110	2111	2112	2115	2116
 T3	500	2117	2118	2119	2120	2121	2122	2123	2152	2153
	700	2124	2125	2126	2127	2128	2129	2130	2154	2155
	900	2131	2132	2133	2134	2135	2136	2137	2156	2157
	1000	2138	2139	2140	2141	2142	2143	2144	2158	2159
	1200	2145	2146	2147	2148	2149	2150	2151	2160	2161
 T4	1200	2162	2163	2164	2165	2166	2167	2168	2176	2177
	1400	2169	2170	2171	2172	2173	2174	2175	2178	2179
 T5	1400	2180	2181	2182	2183	2184	2185	2186	2194	2195
	1600	2187	2188	2189	2190	2191	2192	2193	2196	2197
 T6	500	2198	2199	2200	2201	2202	2203	2204	2233	2234
	700	2205	2206	2207	2208	2209	2210	2211	2235	2236
	900	2212	2213	2214	2215	2216	2217	2218	2237	2238
	1000	2219	2220	2221	2222	2223	2224	2225	2239	2240
	1200	2226	2227	2228	2229	2230	2231	2232	2241	2242
 T8	500	2261	2262	2263	2264	2265	2266	2267	2296	2297
	700	2268	2269	2270	2271	2272	2273	2274	2298	2299
	900	2275	2276	2277	2278	2279	2280	2281	2300	2301
	1000	2282	2283	2284	2285	2286	2287	2288	2302	2303
	1200	2289	2290	2291	2292	2293	2294	2295	2304	2305

CODIGOS MUEBLE COMPLETO
CODES FOR COMPLETE CHECK-OUT






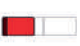


IZQUIERDO LEFT		D1							D2	
		1530	1730	1930	2130	2330	2530	2730	1530	1730
 T1	500	2306	2307	2308	2309	2310	2311	2312	2348	2349
	700	2313	2314	2315	2316	2317	2318	2319	2350	2351
	900	2320	2321	2322	2323	2324	2325	2326	2352	2353
	1000	2327	2328	2329	2330	2331	2332	2333	2354	2355
	1200	2334	2335	2336	2337	2338	2339	2340	2356	2357
	1400	2341	2342	2343	2344	2345	2346	2347	2358	2359
 T2	1200	2360	2361	2362	2363	2364	2365	2366	2374	2375
	1400	2367	2368	2369	2370	2371	2372	2373	2376	2377
 T3	500	2378	2379	2380	2381	2382	2383	2384	2413	2414
	700	2385	2386	2387	2388	2389	2390	2391	2415	2416
	900	2392	2393	2394	2395	2396	2397	2398	2417	2418
	1000	2399	2400	2401	2402	2403	2404	2405	2419	2420
	1200	2406	2407	2408	2409	2410	2411	2412	2421	2422
 T4	1200	2423	2424	2425	2426	2427	2428	2429	2437	2438
	1400	2430	2431	2432	2433	2434	2435	2436	2439	2440
 T5	1400	2441	2442	2443	2444	2445	2446	2447	2455	2456
	1600	2448	2449	2450	2451	2452	2453	2454	2457	2458
 T6	500	2459	2460	2461	2462	2463	2464	2465	2494	2495
	700	2466	2467	2468	2469	2470	2471	2472	2496	2497
	900	2473	2474	2475	2476	2477	2478	2479	2498	2499
	1000	2480	2481	2482	2483	2484	2485	2486	2500	2501
	1200	2487	2488	2489	2490	2491	2492	2493	2502	2503
 T8	500	2522	2523	2524	2525	2526	2527	2528	2557	2558
	700	2529	2530	2531	2532	2533	2534	2535	2559	2560
	900	2536	2537	2538	2539	2540	2541	2542	2561	2562
	1000	2543	2544	2545	2546	2547	2548	2549	2563	2564
	1200	2550	2551	2552	2553	2554	2555	2556	2565	2566

CODIGOS MUEBLE COMPLETO
CODES FOR COMPLETE CHECK-OUT

S I N D A D O A U X I L I A R
W I T H O U T A U X I L I A R Y D E S K

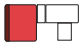

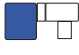

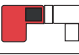
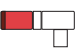


D E R E C H O		D3							D4	
		1530	1730	1930	2130	2330	2530	2730	1530	1730
 T1	500	2567	2568	2569	2570	2571	2572	2573	2609	2610
	700	2574	2575	2576	2577	2578	2579	2580	2611	2612
	900	2581	2582	2583	2584	2585	2586	2587	2613	2614
	1000	2588	2589	2590	2591	2592	2593	2594	2615	2616
	1200	2595	2596	2597	2598	2599	2600	2601	2617	2618
 T2	1200	2621	2622	2623	2624	2625	2626	2627	2635	2636
	1400	2628	2629	2630	2631	2632	2633	2634	2637	2638
 T3	500	2639	2640	2641	2642	2643	2644	2645	2674	2675
	700	2646	2647	2648	2649	2650	2651	2652	2676	2677
	900	2653	2654	2655	2656	2657	2658	2659	2678	2679
	1200	2660	2661	2662	2663	2664	2665	2666	2680	2681
 T4	1200	2684	2685	2686	2687	2688	2689	2690	2698	2699
	1400	2691	2692	2693	2694	2695	2696	2697	2700	2701
 T5	1400	2702	2703	2704	2705	2706	2707	2708	2716	2717
	1600	2709	2710	2711	2712	2713	2714	2715	2718	2719
 T6	500	2720	2721	2722	2723	2724	2725	2726	2755	2756
	700	2727	2728	2729	2730	2731	2732	2733	2757	2758
	900	2734	2735	2736	2737	2738	2739	2740	2759	2760
	1000	2741	2742	2743	2744	2745	2746	2747	2761	2762
 T8	500	2748	2749	2750	2751	2752	2753	2754	2763	2764
	700	2783	2784	2785	2786	2787	2788	2789	2818	2819
	900	2790	2791	2792	2793	2794	2795	2796	2820	2821
	1000	2797	2798	2799	2800	2801	2802	2803	2822	2823
 T8	1000	2804	2805	2806	2807	2808	2809	2810	2824	2825
	1200	2811	2812	2813	2814	2815	2816	2817	2826	2827

C O D I G O S M U E B L E C O M P L E T O
C O D E S F O R C O M P L E T E C H E C K - O U T


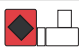
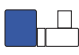
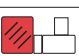




I Z Q U I E R D O L E F T		D3							D4	
		1530	1730	1930	2130	2330	2530	2730	1530	1730
 T1	500	2828	2829	2830	2831	2832	2833	2834	2870	2871
	700	2835	2836	2837	2838	2839	2840	2841	2872	2873
	900	2842	2843	2844	2845	2846	2847	2848	2874	2875
	1000	2849	2850	2851	2852	2853	2854	2855	2876	2877
	1200	2856	2857	2858	2859	2860	2861	2862	2878	2879
 T2	1200	2863	2864	2865	2866	2867	2868	2869	2880	2881
	1400	2882	2883	2884	2885	2886	2887	2888	2896	2897
 T3	1200	2889	2890	2891	2892	2893	2894	2895	2898	2899
	500	2900	2901	2902	2903	2904	2905	2906	2935	2936
	700	2907	2908	2909	2910	2911	2912	2913	2937	2938
	900	2914	2915	2916	2917	2918	2919	2920	2939	2940
 T4	1000	2921	2922	2923	2924	2925	2926	2927	2941	2942
	1200	2928	2929	2930	2931	2932	2933	2934	2943	2944
	1200	2945	2946	2947	2948	2949	2950	2951	2959	2960
	1400	2952	2953	2954	2955	2956	2957	2958	2961	2962
 T5	1400	2963	2964	2965	2966	2967	2968	2969	2977	2978
	1600	2970	2971	2972	2973	2974	2975	2976	2979	2980
 T6	500	2981	2982	2983	2984	2985	2986	2987	3016	3017
	700	2988	2989	2990	2991	2992	2993	2994	3018	3019
	900	2995	2996	2997	2998	2999	3000	3001	3020	3021
	1000	3002	3003	3004	3005	3006	3007	3008	3022	3023
 T8	1200	3009	3010	3011	3012	3013	3014	3015	3024	3025
	500	3044	3045	3046	3047	3048	3049	3050	3079	3080
	700	3051	3052	3053	3054	3055	3056	3057	3081	3082
	900	3058	3059	3060	3061	3062	3063	3064	3083	3084
 T8	1000	3065	3066	3067	3068	3069	3070	3071	3085	3086
	1200	3072	3073	3074	3075	3076	3077	3078	3087	3088

C O D I G O S M U E B L E C O M P L E T O
C O D E S F O R C O M P L E T E C H E C K - O U T

CON DADO AUXILIAR
WITH AUXILIARY DESK

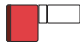
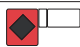


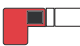


DERECHO RIGHT		D1							D2	
		1530	1730	1930	2130	2330	2530	2730	1530	1730
 T1	500	1000	1001	1002	1003	1004	1005	1006	1042	1043
	700	1007	1008	1009	1010	1011	1012	1013	1044	1045
	900	1014	1015	1016	1017	1018	1019	1020	1046	1047
	1000	1021	1022	1023	1024	1025	1026	1027	1048	1049
	1200	1028	1029	1030	1031	1032	1033	1034	1050	1051
 T2	1200	1054	1055	1056	1057	1058	1059	1060	1068	1069
	1400	1061	1062	1063	1064	1065	1066	1067	1070	1071
 T3	500	1072	1073	1074	1074	1076	1077	1078	1107	1108
	700	1079	1080	1081	1082	1083	1084	1085	1109	1110
	900	1086	1087	1088	1089	1090	1091	1092	1111	1112
	1000	1093	1094	1095	1096	1097	1098	1099	1113	1114
 T4	1200	1117	1118	1119	1120	1121	1122	1123	1131	1132
	1400	1124	1125	1126	1127	1128	1129	1130	1132	1133
 T5	1400	1134	1135	1136	1137	1138	1139	1140	1148	1149
	1600	1141	1142	1143	1144	1145	1146	1147	1150	1151
 T6	500	1152	1153	1154	1155	1156	1157	1158	1187	1188
	700	1159	1160	1161	1162	1163	1164	1165	1189	1190
	900	1166	1167	1168	1169	1170	1171	1172	1191	1192
	1000	1173	1174	1175	1176	1177	1178	1179	1193	1194
 T8	500	1215	1216	1217	1218	1219	1220	1221	1250	1251
	700	1222	1223	1224	1225	1226	1227	1228	1252	1253
	900	1229	1230	1231	1232	1233	1234	1235	1254	1255
	1000	1236	1237	1238	1239	1240	1241	1242	1256	1257
 T8	1200	1243	1244	1245	1246	1247	1248	1249	1258	1259

CODIGOS MUEBLE COMPLETO
CODES FOR COMPLETE CHECK-OUT






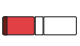

IZQUIERDO LEFT		D1							D2	
		1530	1730	1930	2130	2330	2530	2730	1530	1730
 T1	500	1260	1261	1262	1263	1264	1265	1266	1302	1303
	700	1267	1268	1269	1270	1271	1272	1273	1304	1305
	900	1274	1275	1276	1277	1278	1279	1280	1306	1307
	1000	1281	1282	1283	1284	1285	1286	1287	1308	1309
	1200	1288	1289	1290	1291	1292	1293	1294	1310	1311
 T2	1200	1314	1315	1316	1317	1318	1319	1320	1328	1329
	1400	1321	1322	1323	1324	1325	1326	1327	1330	1331
 T3	500	1332	1333	1334	1335	1336	1337	1338	1367	1368
	700	1339	1340	1341	1342	1343	1344	1345	1369	1370
	900	1346	1347	1348	1349	1350	1351	1352	1371	1372
	1000	1353	1354	1355	1356	1357	1358	1359	1373	1374
 T4	1200	1377	1378	1379	1380	1381	1382	1383	1391	1392
	1400	1384	1385	1386	1387	1388	1389	1390	1393	1394
 T5	1400	1395	1396	1397	1398	1399	1400	1401	1409	1410
	1600	1402	1403	1404	1405	1406	1407	1408	1411	1412
 T6	500	1413	1414	1415	1416	1417	1418	1419	1448	1449
	700	1420	1421	1422	1423	1424	1425	1426	1450	1451
	900	1427	1428	1429	1430	1431	1432	1433	1452	1453
	1000	1434	1435	1436	1437	1438	1439	1440	1454	1455
 T8	1200	1441	1442	1443	1444	1445	1446	1447	1456	1457
	500	1476	1477	1478	1479	1480	1481	1482	1511	1512
	700	1483	1484	1485	1486	1487	1488	1489	1513	1514
	900	1490	1491	1492	1493	1494	1495	1496	1515	1516
 T8	1000	1497	1498	1499	1500	1501	1502	1503	1517	1518
	1200	1504	1505	1506	1507	1508	1509	1510	1519	1520

CODIGOS MUEBLE COMPLETO
CODES FOR COMPLETE CHECK-OUT

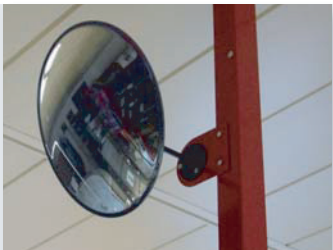
S I N D A D O A U X I L I A R
W I T H O U T A U X I L I A R Y D E S K

DERECHO RIGHT		D3							D4	
		1530	1730	1930	2130	2330	2530	2730	1530	1730
 T1	500	1521	1522	1523	1524	1525	1526	1527	1563	1564
	700	1528	1529	1530	1531	1532	1533	1534	1565	1566
	900	1535	1536	1537	1538	1539	1540	1541	1567	1568
	1000	1542	1543	1544	1545	1546	1547	1548	1569	1570
	1200	1549	1550	1551	1552	1553	1554	1555	1571	1572
 T2	1200	1575	1576	1577	1578	1579	1580	1581	1589	1590
	1400	1582	1583	1584	1585	1586	1587	1588	1591	1592
 T3	500	1593	1594	1595	1596	1597	1598	1599	1628	1629
	700	1600	1601	1602	1603	1604	1605	1606	1630	1631
	900	1607	1608	1609	1610	1611	1612	1613	1632	1633
	1000	1614	1615	1616	1617	1618	1619	1620	1634	1635
 T4	1200	1638	1639	1640	1641	1642	1643	1644	1652	1653
	1400	1645	1646	1647	1648	1649	1650	1651	1654	1655
 T5	1400	1656	1657	1658	1659	1660	1661	1662	1670	1671
	1600	1663	1664	1665	1666	1667	1668	1669	1672	1673
 T6	500	1674	1675	1676	1677	1678	1679	1680	1709	1710
	700	1681	1682	1683	1684	1685	1686	1687	1711	1712
	900	1688	1689	1690	1691	1692	1693	1694	1713	1714
	1000	1695	1696	1697	1698	1699	1700	1701	1715	1716
 T8	500	1737	1738	1739	1740	1741	1742	1743	1772	1773
	700	1744	1745	1746	1747	1748	1749	1750	1774	1775
	900	1751	1752	1753	1754	1755	1756	1757	1776	1777
	1000	1758	1759	1760	1761	1762	1763	1764	1778	1779
	1200	1765	1766	1767	1768	1769	1770	1771	1780	1781

CODIGOS MUEBLE COMPLETO
CODES FOR COMPLETE CHECK-OUT

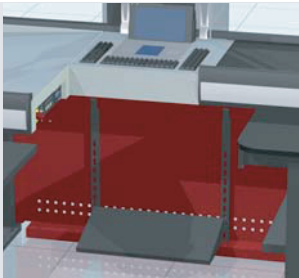
IZQUIERDO LEFT		D3							D4	
		1530	1730	1930	2130	2330	2530	2730	1530	1730
 T1	500	1782	1783	1784	1785	1786	1787	1788	1824	1825
	700	1789	1790	1791	1792	1793	1794	1795	1826	1827
	900	1796	1797	1798	1799	1800	1801	1802	1828	1829
	1000	1803	1804	1805	1806	1807	1808	1809	1830	1831
	1200	1810	1811	1812	1813	1814	1815	1816	1832	1833
 T2	1200	1836	1837	1838	1839	1840	1841	1842	1850	1851
	1400	1843	1844	1845	1846	1847	1848	1849	1852	1853
 T3	500	1854	1855	1856	1857	1858	1859	1860	1889	1890
	700	1861	1862	1863	1864	1865	1866	1867	1891	1892
	900	1868	1869	1870	1871	1872	1873	1874	1893	1894
	1000	1875	1876	1877	1878	1879	1880	1881	1895	1896
 T4	1200	1899	1900	1901	1902	1903	1904	1905	1913	1914
	1400	1906	1907	1908	1909	1910	1911	1912	1915	1916
 T5	1400	1917	1918	1919	1920	1921	1922	1923	1931	1932
	1600	1924	1925	1926	1927	1928	1929	1930	1933	1934
 T6	500	1935	1936	1937	1938	1939	1940	1941	1970	1971
	700	1942	1943	1944	1945	1946	1947	1948	1972	1973
	900	1949	1950	1951	1952	1953	1954	1955	1974	1975
	1000	1956	1957	1958	1959	1960	1961	1962	1976	1977
 T8	1200	1963	1964	1965	1966	1967	1968	1969	1978	1979
	500	2000	2005	2010	2015	2020	2025	2030	2035	2040
	700	2001	2006	2011	2016	2021	2026	2031	2036	2041
	900	2002	2007	2012	2017	2022	2027	2032	2037	2042
	1000	2003	2008	2013	2018	2023	2028	2033	2038	2043
1200	2004	2009	2014	2019	2024	2029	2034	2039	2044	

CODIGOS MUEBLE COMPLETO
CODES FOR COMPLETE CHECK-OUT



EAHEGS

ESPEJO ANTI-HURTO SUPERIOR
ANTI-THEFT MIRROR



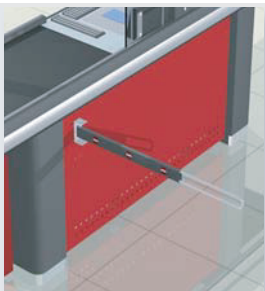
RREG

REPOSAPIES REGULABLE EN ALTURA
HEIGHT ADJUSTABLE FOOTREST



CPPM

CIERRAPASOS REGULABLE
ADJUSTABLE PROHIBITED ACCESS GATE



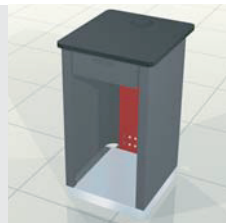
CPEG

CIERRA PASOS EXTENSIBLE "ERGO"
"ERGO" EXTENDABLE PROHIBITED ACCESS GATE

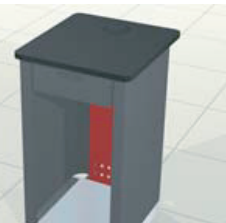


CPE

CIERRA PASOS EXTENSIBLE
EXTENDABLE PROHIBITED ACCESS GATE



DCB4448



DCB5667

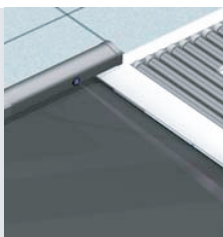
DADO COBRADOR 440 X 480 X 735
DADO COBRADOR 550 X 500 X 735
AUXILIARY TABLE 440 X 480 X 735
AUXILIARY TABLE 560 X 670 X 820



CAEEG

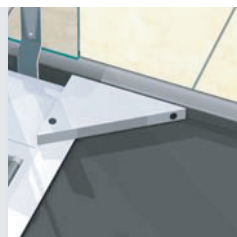
PMC

CUADRO AUXILIAR DE ENCHUFES
PEDAL DE CONTROL
AUXILIARY SOCKET BOX
CONVEYOR BELT PEDAL



CFAMC

FOTOCÉLULA
PHOTOELECTRIC CELL



DESPEG

DESVIADOR DE PRODUCTO
PRODUCT DEVIATOR



CASEG

CADEG

CAJON SIMPLE
CAJON DOBLE CAPACIDAD
SINGLE DRAWER
DOUBLE DRAWER



STEG-320

STEG-400

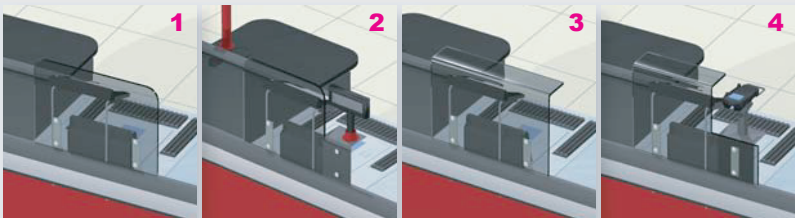
STEG-500

SOPORTE TECLADO - (320,400 Y 500 mm.)
KEYBOARD HOLDER

CUSTOMER DISPLAY POLE



AMPLIA GAMA DE COLORES "RAL"
EN TODA NUESTRAS LINEAS DE CHECK-OUT
LARGE RANGE OF COLOURS "RAL"
IN EVERY LINE OF CHECK-OUT



MTZT1

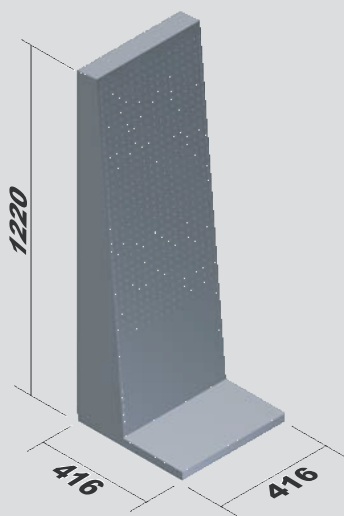
MTZT2

MTZT3

MTZT4

METACRILATO PROTECTOR ZONA DE TRABAJO
METHACRYLATE PROTECTOR WORKING AREA

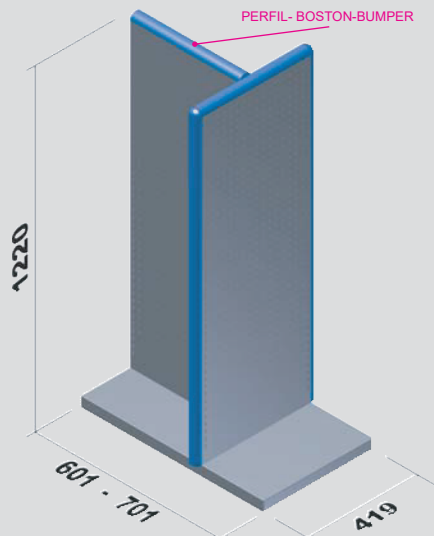
MODELO **1** MODEL



MODULO ANTE-CAJA PIRAMIDAL
PYRAMIDAL FRONT CHECK-OUT MODULE

2600

MODELO **2** MODEL

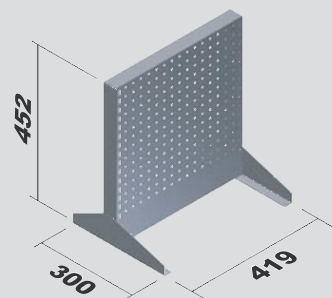


MODULO ANTE-CAJA GONDOLA
GONDOLA FRONT CHECK-OUT MODULE

601 **2601**

701 **2602**

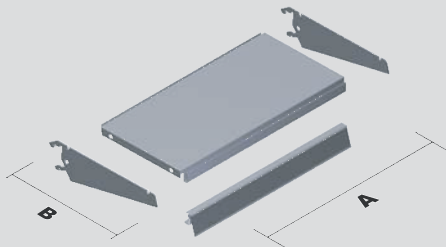
MODELO **3** MODEL



MODULO ANTE-CAJA ENCIMERA
COUNTERTOP FRONT CHECK-OUT MODULE

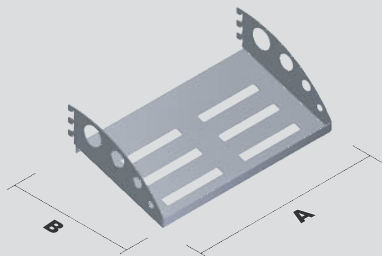
2622

CONJUNTO ESTANTE CON CARTELAS STANDARD
SHELF SET WITH STANDARD BRACKETS



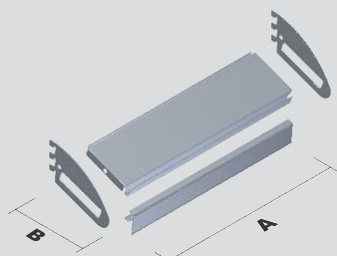
		A	
		40	60
B	10	2630	2631
	20	2632	2633
	30	2634	2635

CONJUNTO ESTANTE "EB-1"
SHELF SET "EB"



		A	
		40	60
B	10	2640	2641
	20	2642	2643
	30	2644	2645

CONJUNTO ESTANTE CON CARTELAS "EB-2"
SHELF SET WITH BRACKETS "EB-2"



		A	
		40	60
B	10	2650	2651
	20	2652	2653
	30	2654	2655

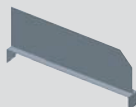
BALCON DE CHAPA
STEEL PLATE



BCH406

BCH606

SEPARADOR DE CHAPA
DIVIDER OF STEEL PLATE



SCH106

SCH206

SCH306

LATERAL ANTE-CAJA PIRAMIDAL
PYRAMIDAL FRONT CHECK-OUT SIDE



LACP

GANCHO SIMPLE
SIMPLE HOOK



GS10

GS20

GS30

GANCHO SIMPLE PORTAETIQUETAS
PRICE RAIL SIMPLE HOOK



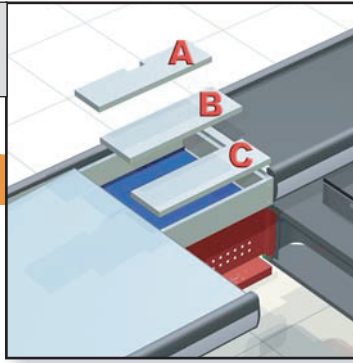
GSP10

GSP20

GSP30

CONCEPTO MODULAR DE LA ZONA DE TRABAJO.

COMBINANDO LAS TRES ZONAS DEFINIDAS
PODREMOS COMPOSER MÚLTIPLES OPCIONES

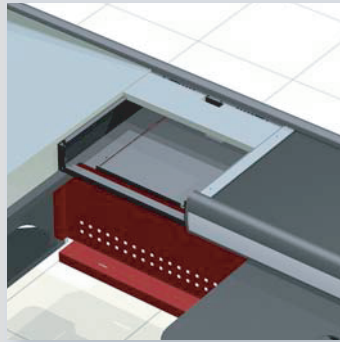
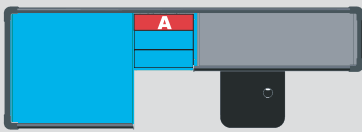


DIVISION DE LA ZONA DE TRABAJO

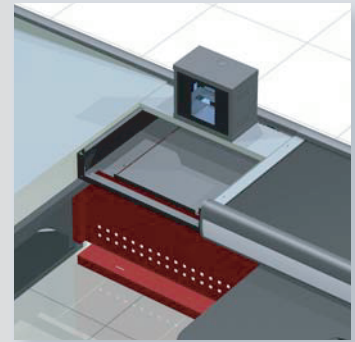
DIVISION OF WORKING AREA

MODULAR CONCEPT OF WORKING AREA

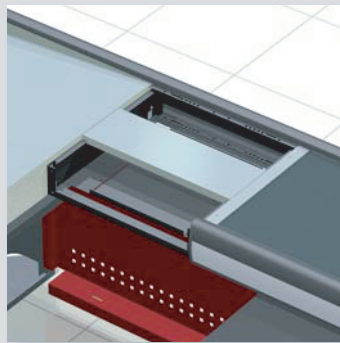
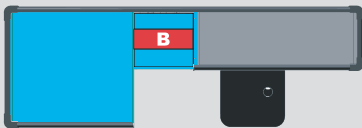
MIXING THE THREE AREAS DEFINED, WE CAN COMPOSE SEVERAL OPTIONS



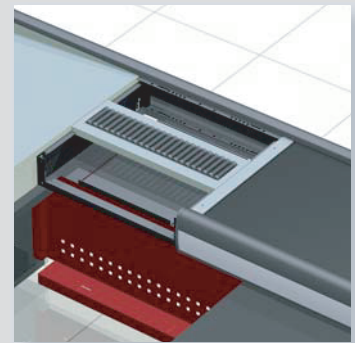
ZT-A1



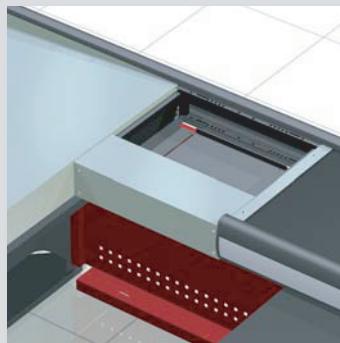
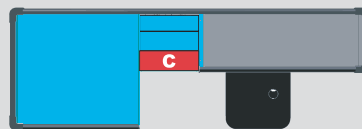
ZT-A2



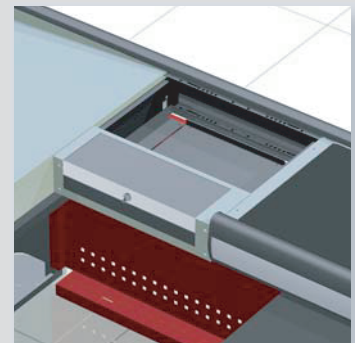
ZT-B1



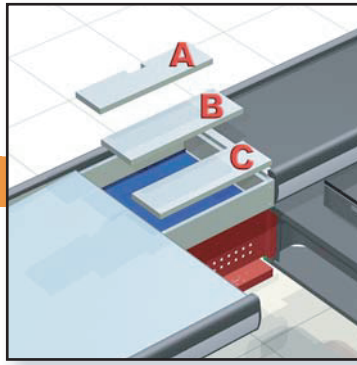
ZT-B2



ZT-C1

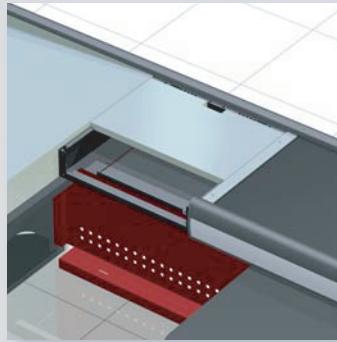
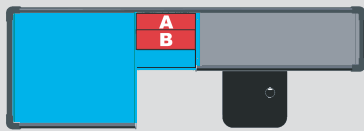


ZT-C2

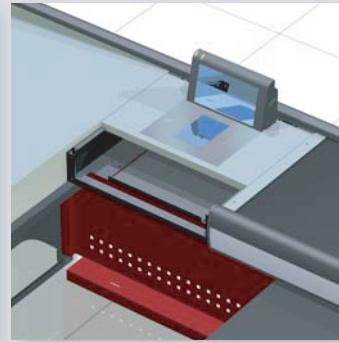


DIVISION DE LA ZONA DE TRABAJO

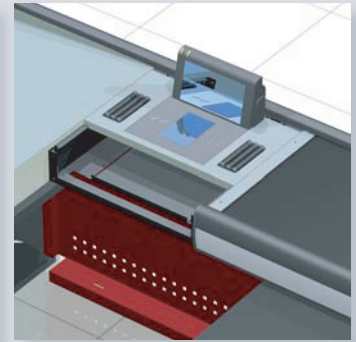
DIVISION OF WORKING AREA



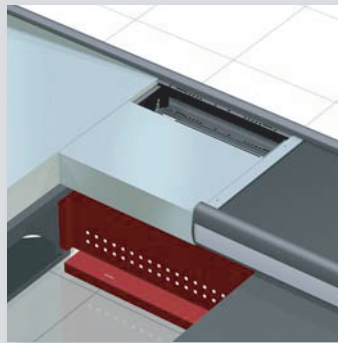
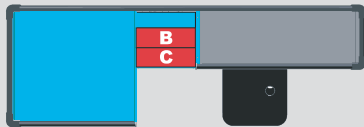
ZT-AB1



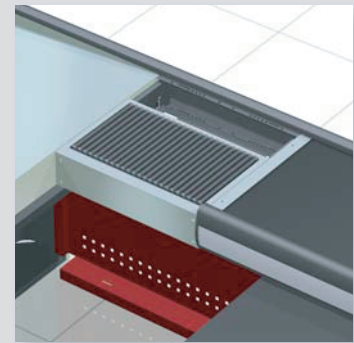
ZT-AB2



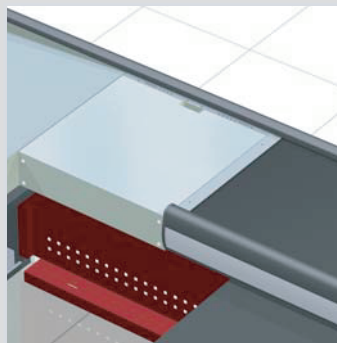
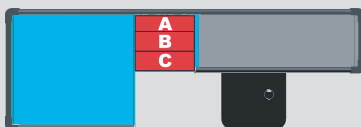
ZT-AB3



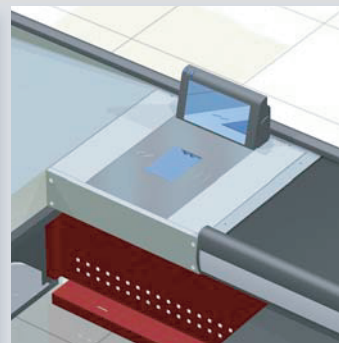
ZT-BC1



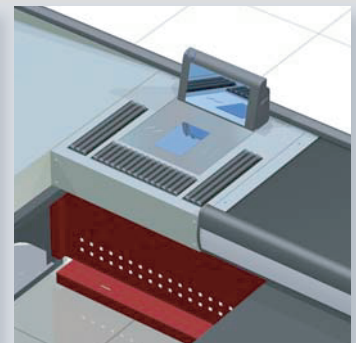
ZT-BC2



ZT-ABC1

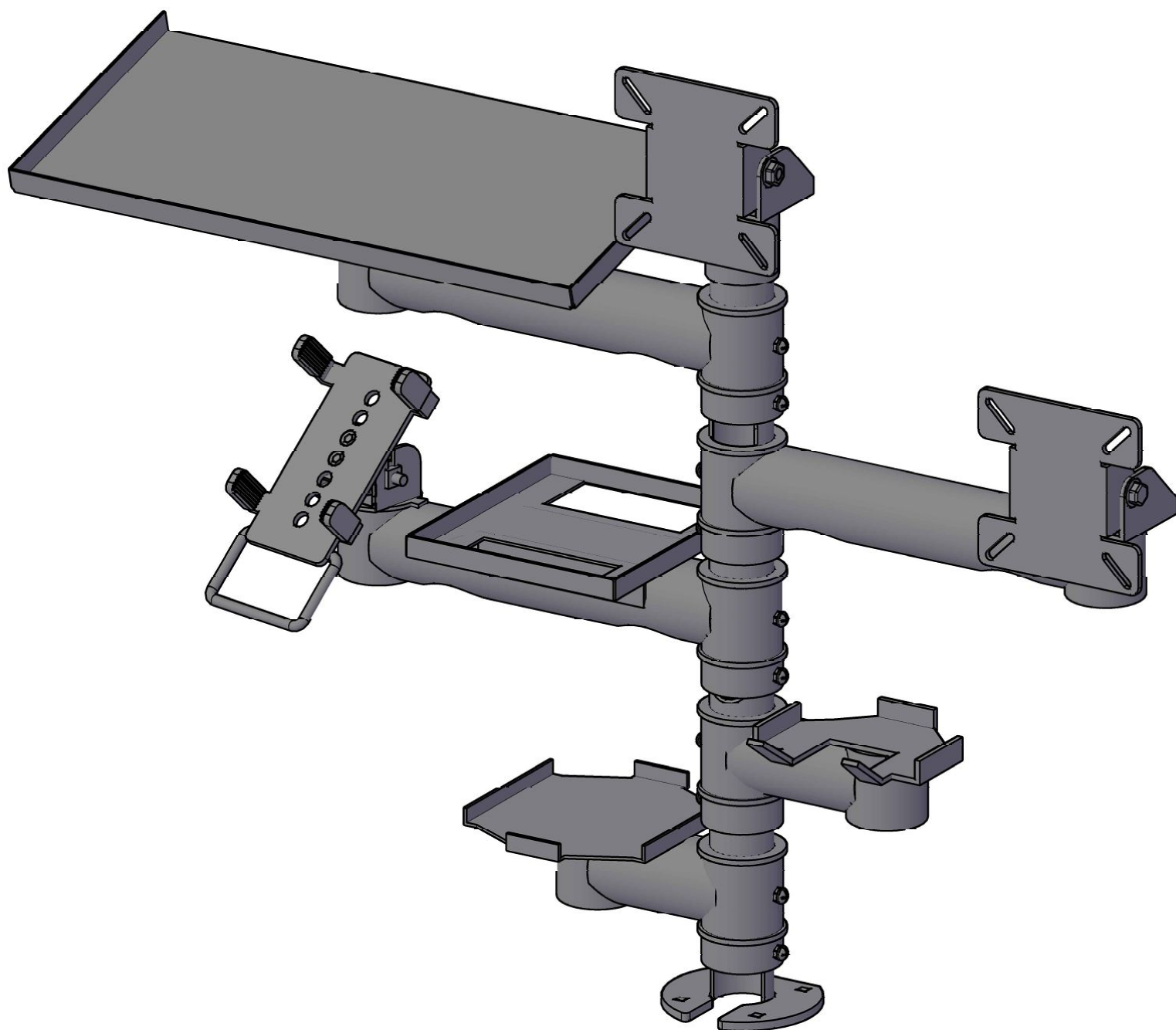


ZT-ABC2








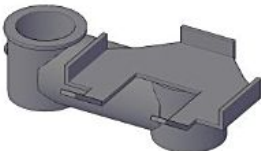



ZT-ABC3

COMPOSICIÓN MULTIBRAZO: CÓDIGOS, PRECIOS Y DETALLES TÉCNICOS

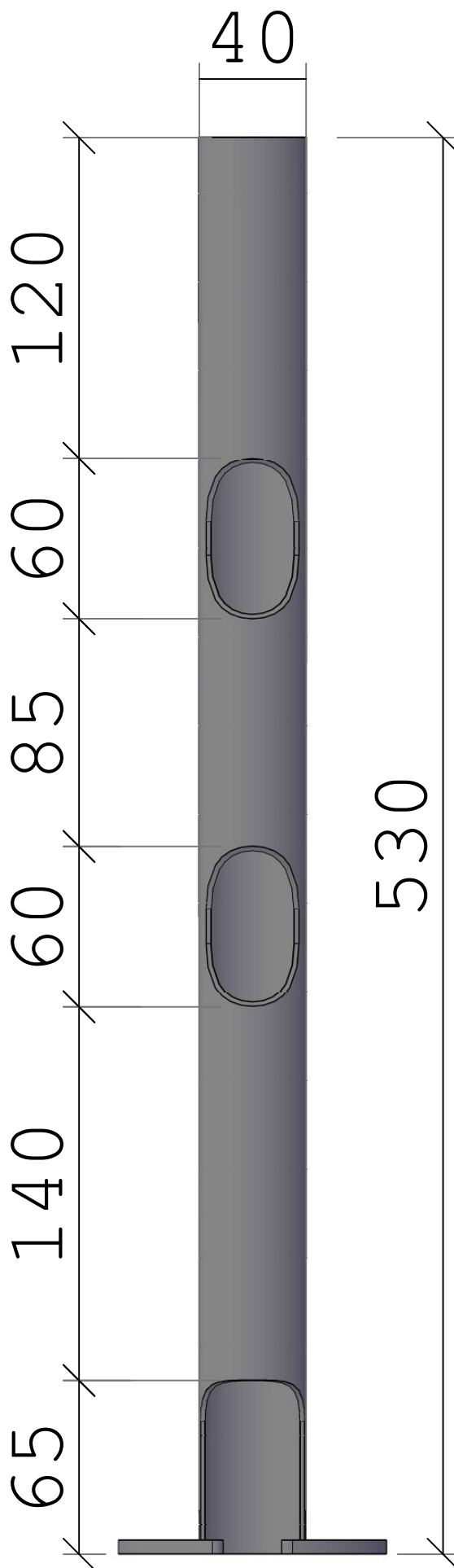
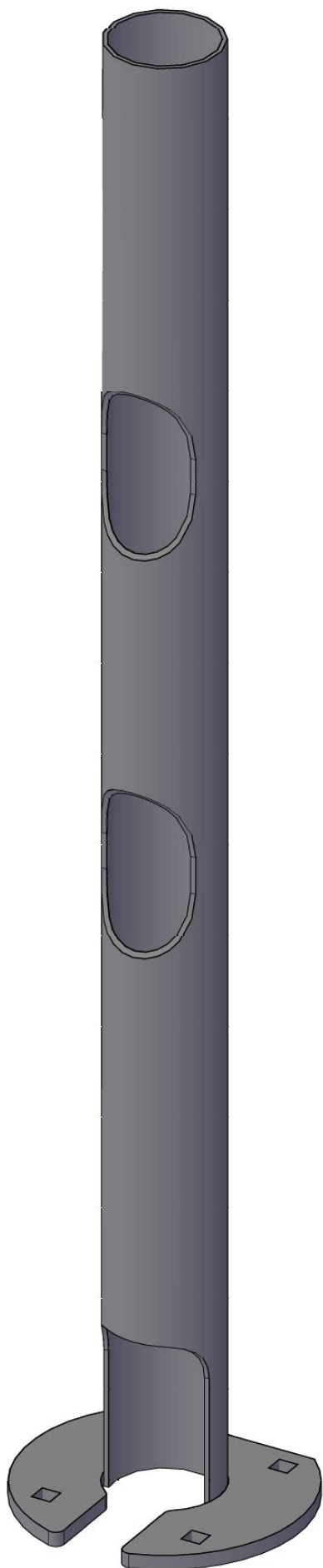


Despiece Multibrazo


Pieza/Elemento	Foto	Código	P.V.P.	DETALLE TÉCN.
Tubo Soporte Central Multibrazo 530 D:40mm		TSCM530		Pag. 4
Bandeja Impresora y Soporte PIN-PAD		BIYSPP		Pag. 5
Bandeja Soporte Detector de Billetes		BSDB		Pag. 6
Soporte Pin-Pad		SPP		Pag. 7
Soporte Monitor para Multibrazo		SMM		Pag. 8
Soporte Teclado 410x190mm		SPM410		Pag. 9
Visor Monitor Cliente		VMC		Pag. 10
Soporte Pistola Lector Código de Barras		SPLCB		Pag. 11
Bandeja Impresora		BI		Pag. 12

<p>Soporte Pin-Pad Brazo Largo</p>		<p>SPPBL</p>		<p>Pag. 13</p>
<p>B. Soporte Detector de Billetes Brazo Largo</p>		<p>BSDBBL</p>		<p>Pag. 14</p>
<p>Bandeja Impresora Brazo Largo</p>		<p>BIBL</p>		<p>Pag. 15</p>

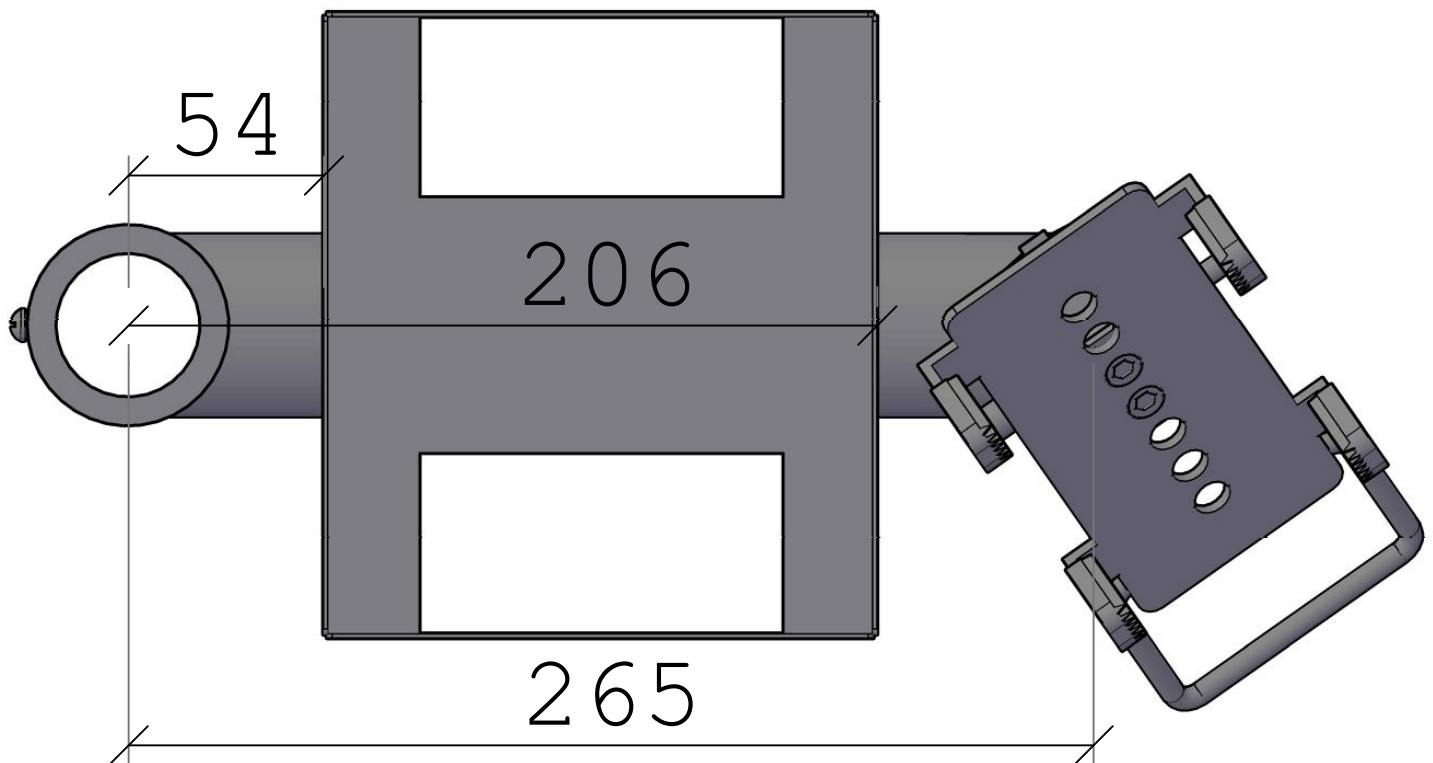
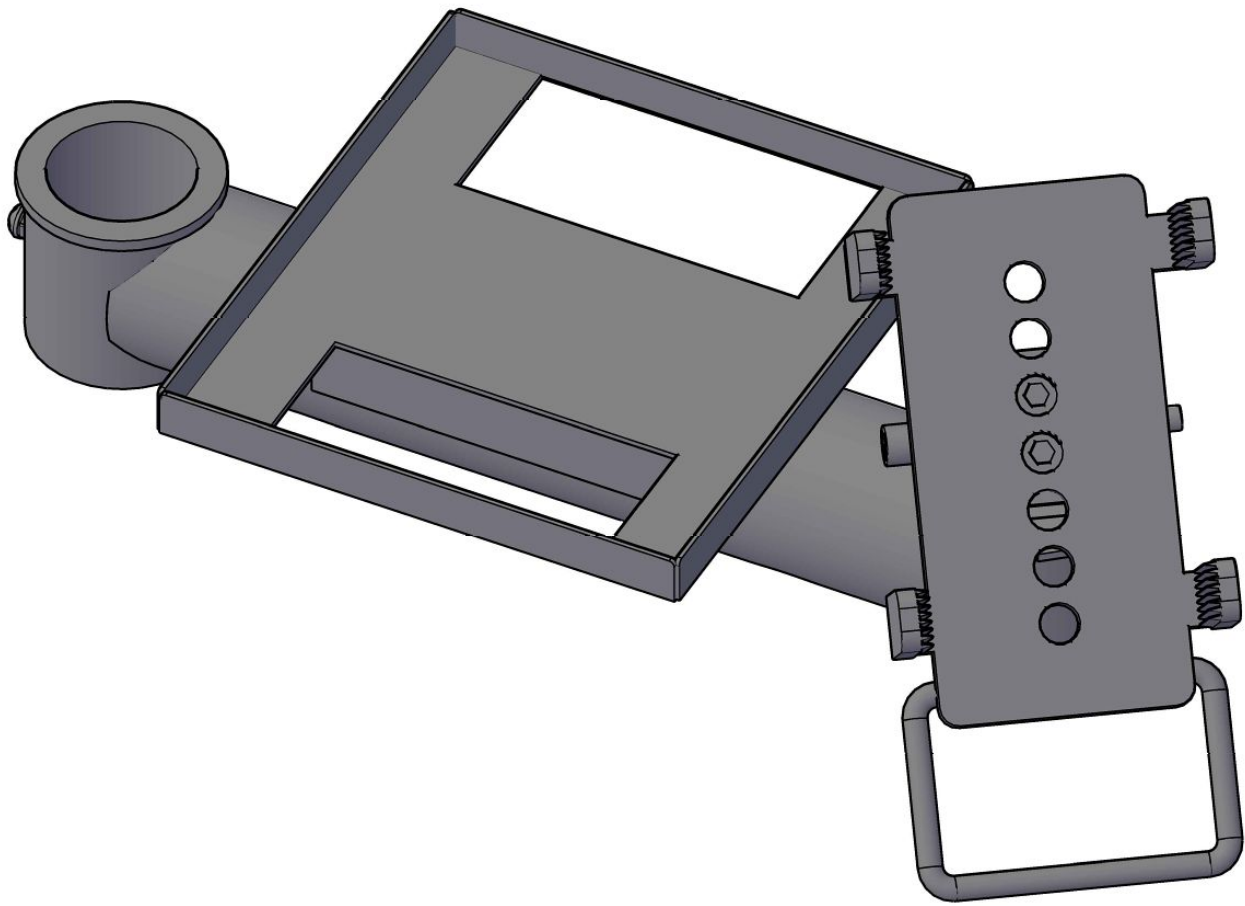
TUBO SOPORTE CENTRAL
MULTIBRAZO 530X40
(COD: TSCM530)




Detalle Técnico

TÍTULO Y REFERENCIA T. S. CENTRAL MULT. 530X40 (COD TSCM530)			
DIRECCIÓN		FECHA 01/10/2020	Nº PLANO 1
DIBUJADO POR EDGAR C.	T. COMERCIAL	ESCALA UNIDAD FORMATO	Nº OPCIÓN
			 TORREJÓN DE ARDOZ (MADRID) C/Hierro, 27 Telfs: 91 675 14 34 - 91 677 10 92 Fax: 91 677 82 33 www.marsanz.es <small>Estos planos son propiedad de CREACIONES MARSANZ S.A. siendo confidenciales para la parte a quien se confían, no debiendo reproducirse total ni parcialmente y, en ningún caso, utilizarse directa o indirectamente en perjuicio de CREACIONES MARSANZ S.A.</small>

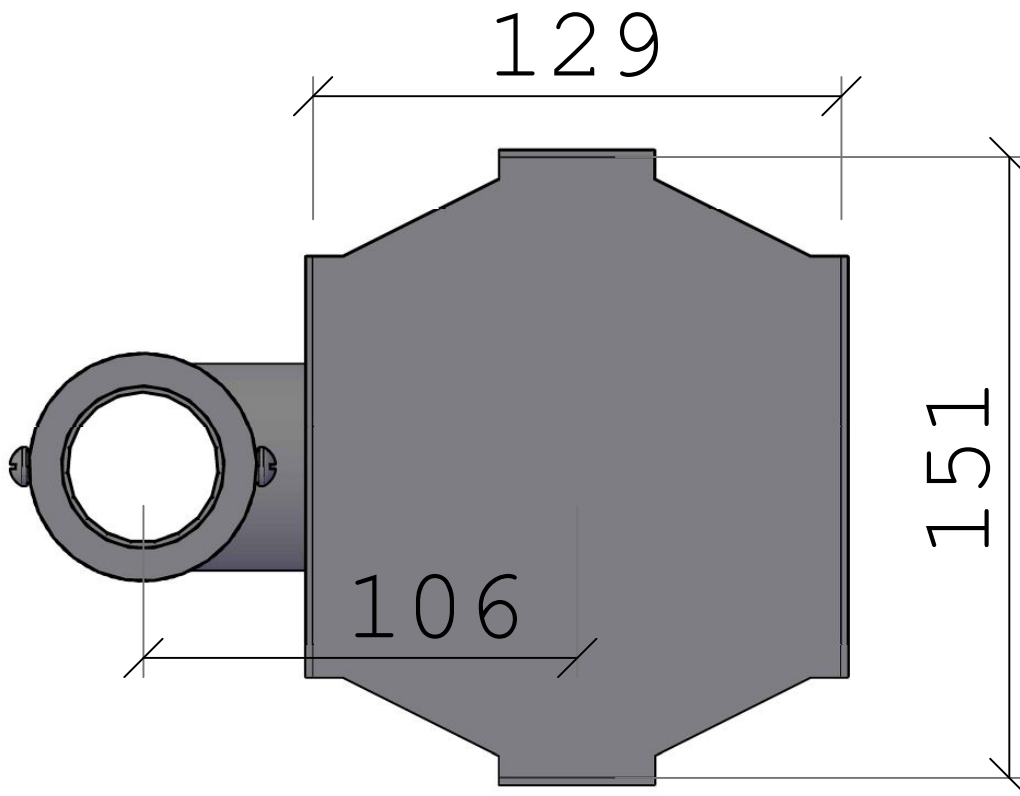
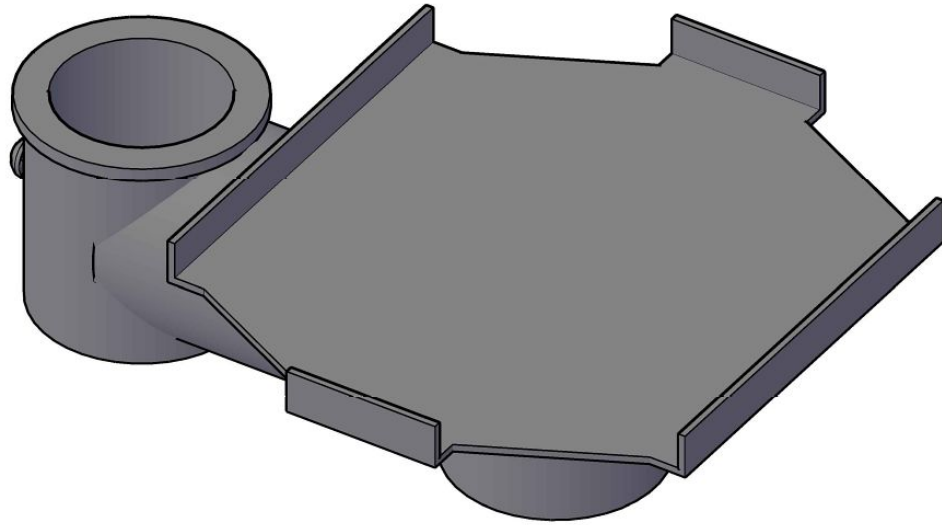
BANDEJA IMPRESORA Y SOPORTE PINPAD (COD: BIYSPP)



Detalle Técnico

TÍTULO Y REFERENCIA BANEJA IMPRESORA Y PIN-PAD (COD. BIYSPP)				 TORREJÓN DE ARDOZ (MADRID) C/Hierro, 27 Telfs: 91 675 14 34 - 91 677 10 92 Fax: 91 677 82 33 www.marsanz.es	
DIRECCIÓN		FECHA 01/10/2020	Nº PLANO 2		
DIBUJADO POR EDGAR C.	T. COMERCIAL	ESCALA UNIDAD FORMATO	Nº OPCIÓN		
<small>Estos planos son propiedad de CREACIONES MARSANZ S.A. siendo confidenciales para la parte a quien se confían, no debiendo reproducirse total ni parcialmente y, en ningún caso, utilizarse directa o indirectamente en perjuicio de CREACIONES MARSANZ S.A.</small>					

BANDEJA SOPORTE DETECTOR DE BILLETES (COD: BSDB)



Detalle Técnico

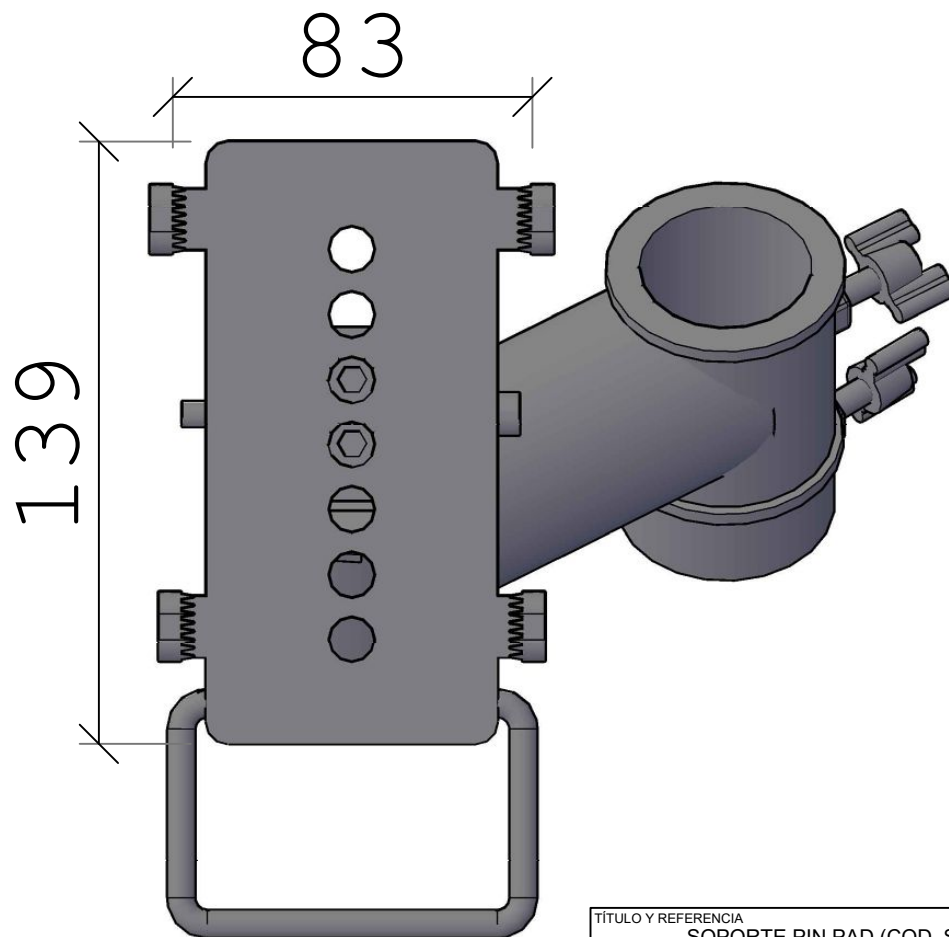
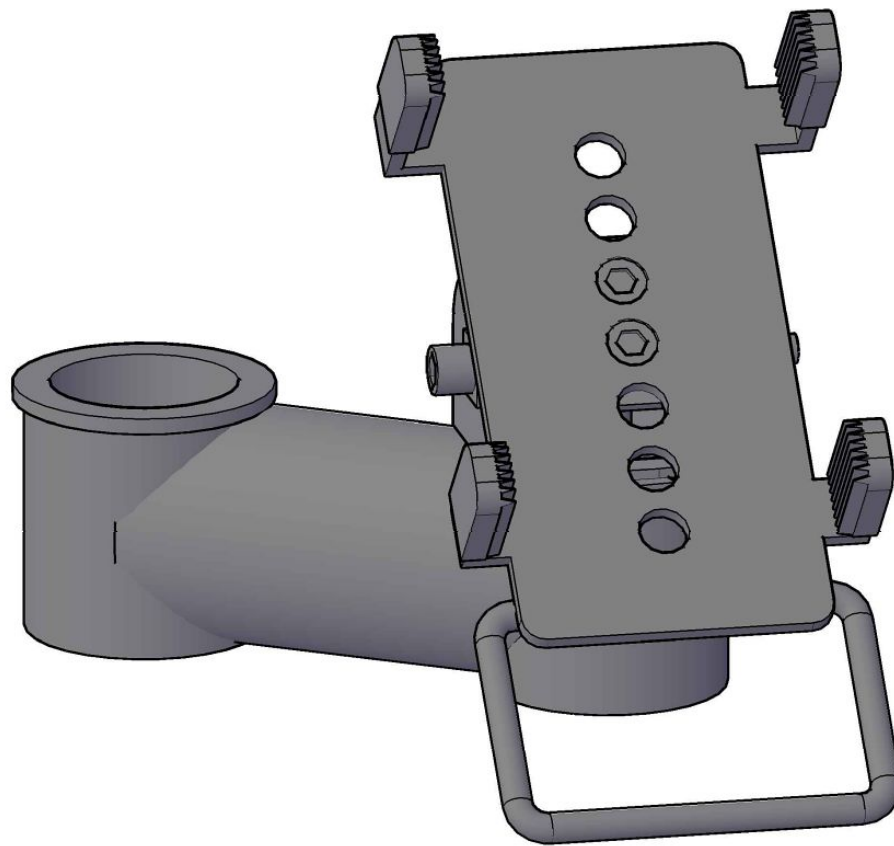
TÍTULO Y REFERENCIA B. SOPORTE DETECTOR BILLETES (COD. BSDB)			
DIRECCIÓN		FECHA 01/10/2020	Nº PLANO 3
DIBUJADO POR EDGAR C.	T. COMERCIAL	ESCALA UNIDAD FORMATO	Nº OPCIÓN




 TORREJÓN DE ARDOZ (MADRID) C/Hierro, 27
 Telfs: 91 675 14 34 - 91 677 10 92 Fax: 91 677 82 33
www.marsanz.es

Estos planos son propiedad de CREACIONES MARSANZ S.A. siendo confidenciales para la parte a quien se confían, no debiendo reproducirse total ni parcialmente y, en ningún caso, utilizarse directa o indirectamente en perjuicio de CREACIONES MARSANZ S.A.

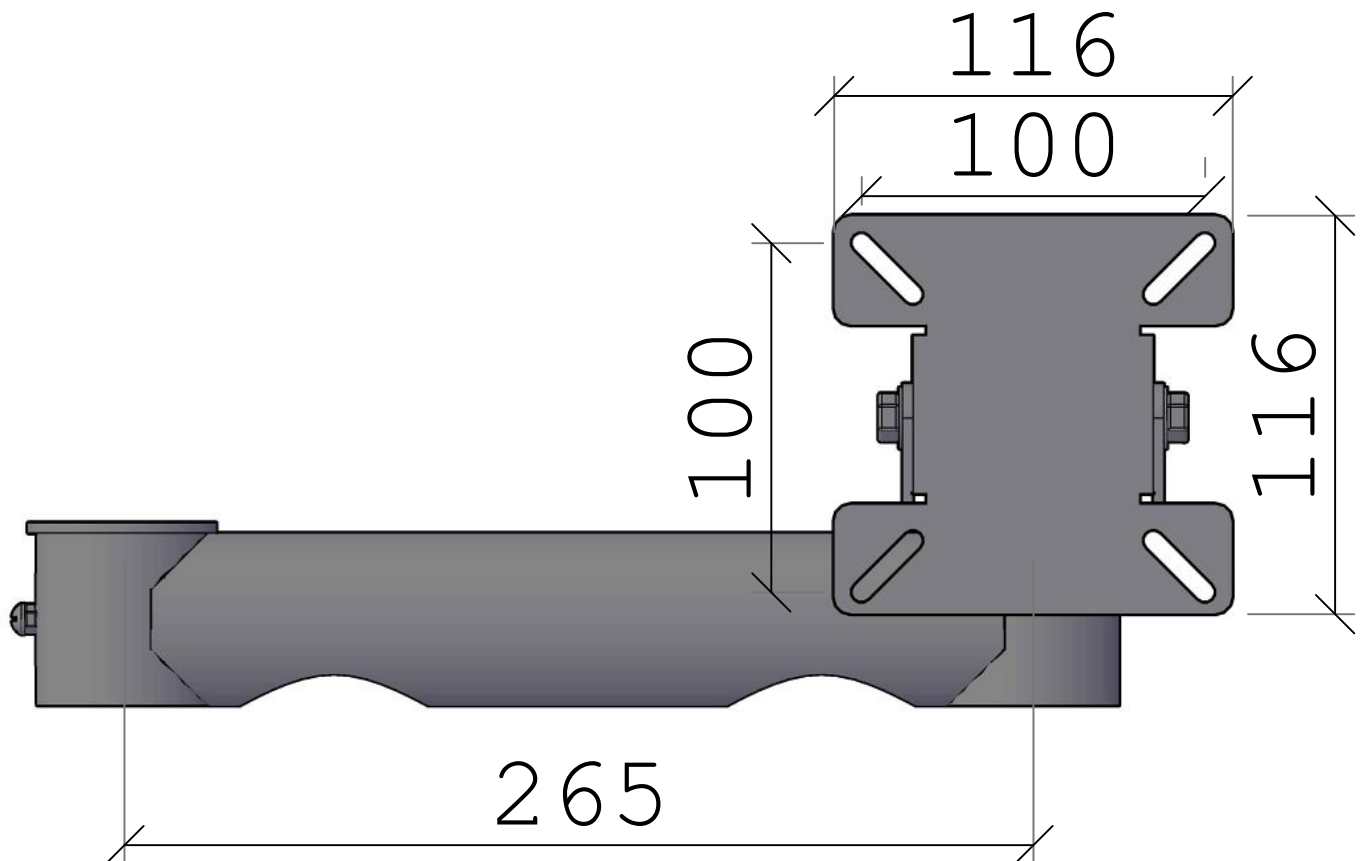
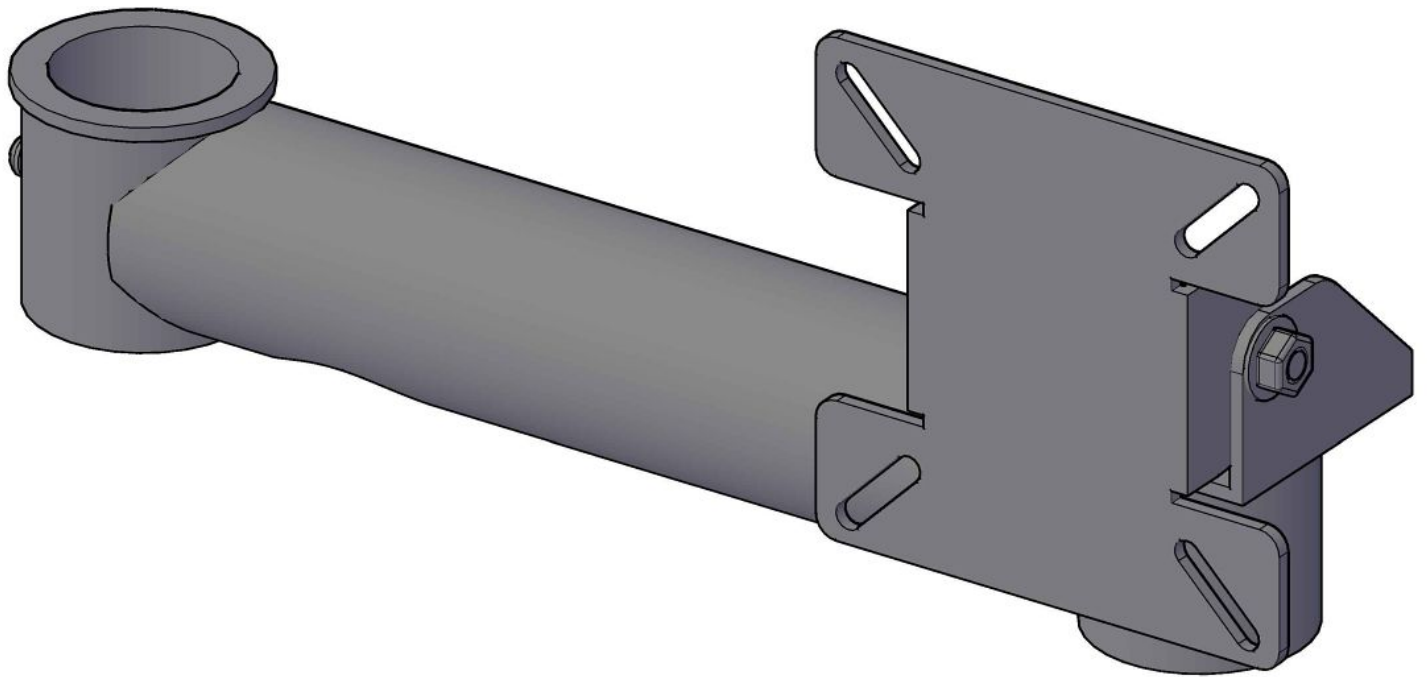
SOPORTE PIN-PAD (COD: SPP)



Detalle Técnico

TÍTULO Y REFERENCIA SOPORTE PIN PAD (COD. SPP)		 TORREJÓN DE ARDOZ (MADRID) C/Hierro, 27 Telfs: 91 675 14 34 - 91 677 10 92 Fax: 91 677 82 33 www.marsanz.es	
DIRECCIÓN	FECHA 01/10/2020	Nº PLANO 4	
DIBUJADO POR EDGAR C.	T. COMERCIAL	ESCALA UNIDAD FORMATO	Nº OPCIÓN
<small>Estos planos son propiedad de CREACIONES MARSANZ S.A. siendo confidenciales para la parte a quien se confían, no debiendo reproducirse total ni parcialmente y, en ningún caso, utilizarse directa o indirectamente en perjuicio de CREACIONES MARSANZ S.A.</small>			

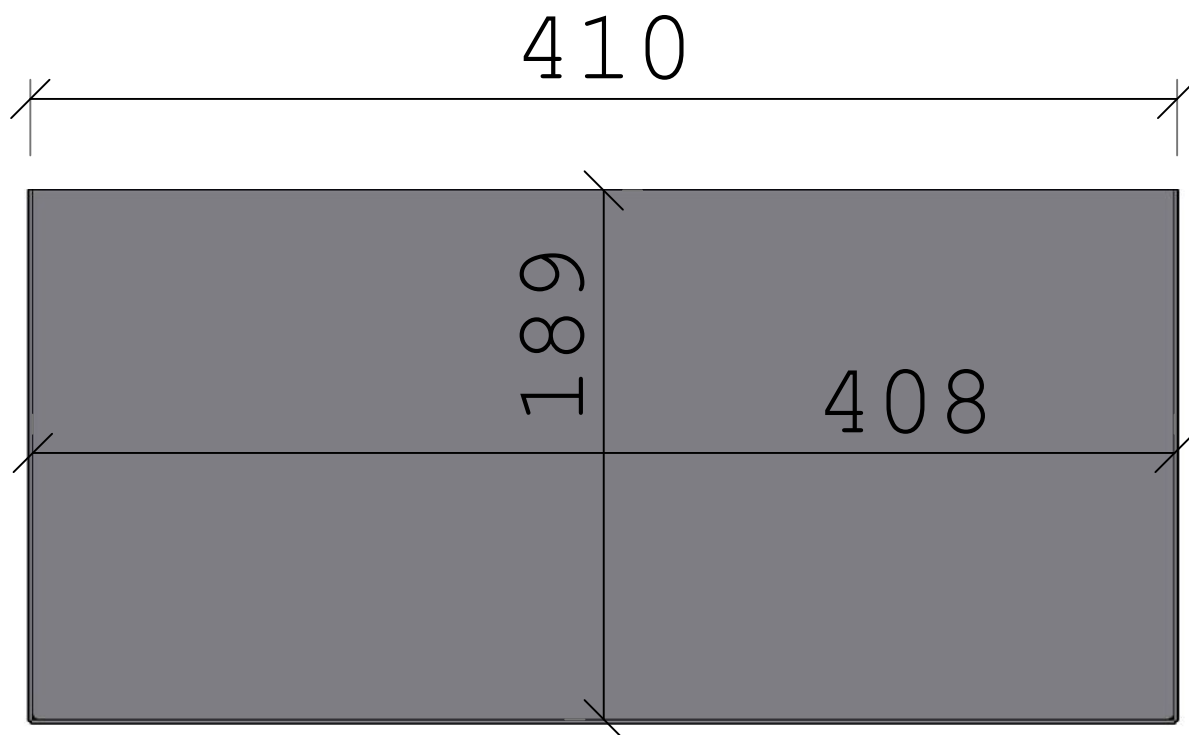
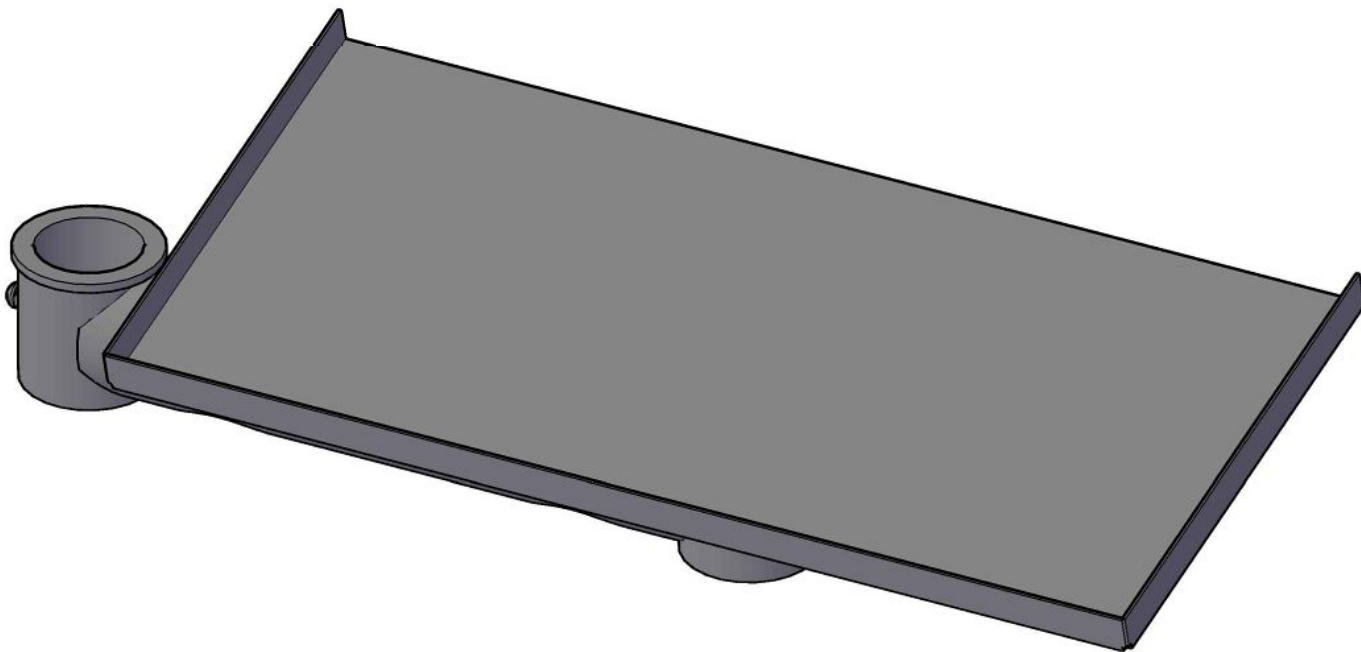
SOPORTE MONITOR MULTIBRAZO (COD: SMM)




Detalle Técnico

TÍTULO Y REFERENCIA SOPORTE MONITOR MULTIBRAZO (COD. SMM)				 TORREJÓN DE ARDOZ (MADRID) C/Hierro, 27 Telfs: 91 675 14 34 - 91 677 10 92 Fax: 91 677 82 33 www.marsanz.es
DIRECCIÓN		FECHA 01/10/2020	Nº PLANO 5	
DIBUJADO POR EDGAR C.	T. COMERCIAL	ESCALA UNIDAD FORMATO	Nº OPCIÓN	Estos planos son propiedad de CREACIONES MARSANZ S.A. siendo confidenciales para la parte a quien se confían, no debiendo reproducirse total ni parcialmente y, en ningún caso, utilizarse directa o indirectamente en perjuicio de CREACIONES MARSANZ S.A.

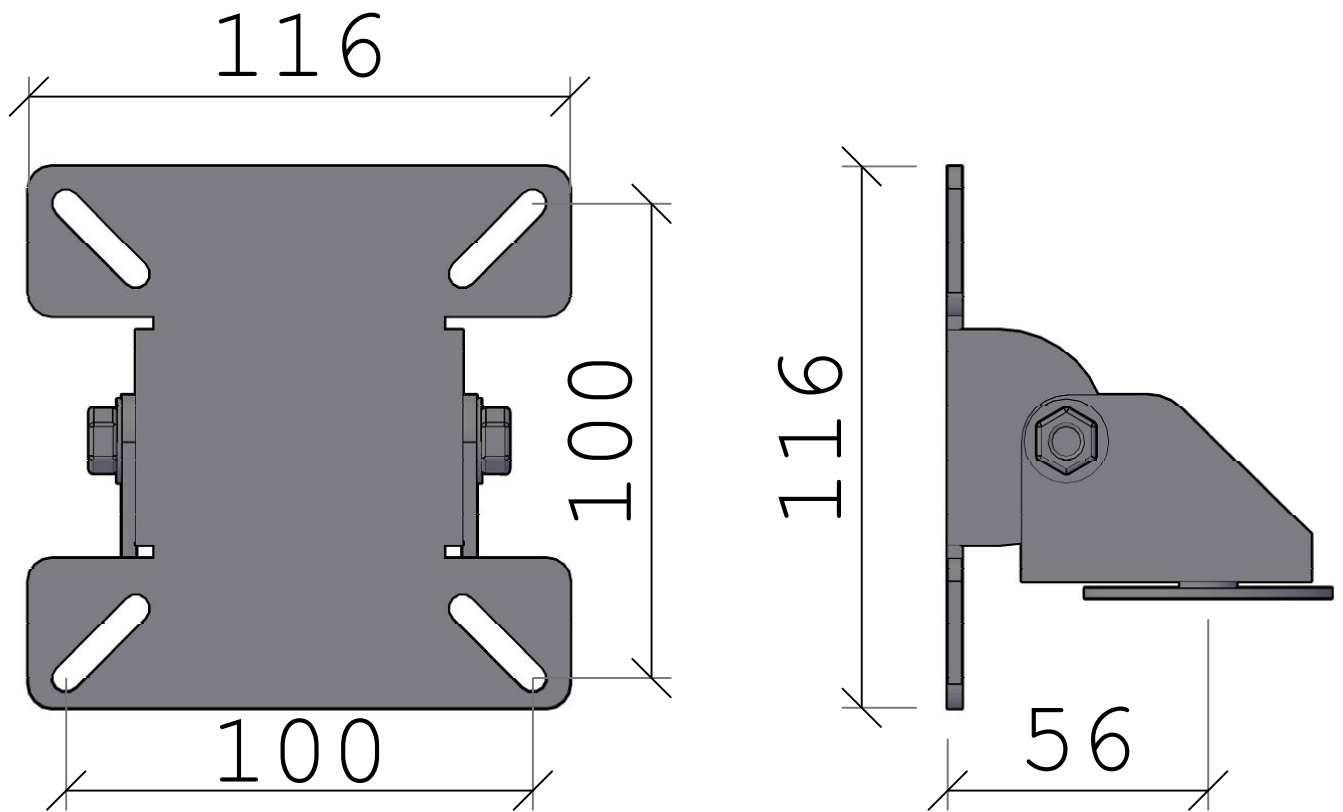
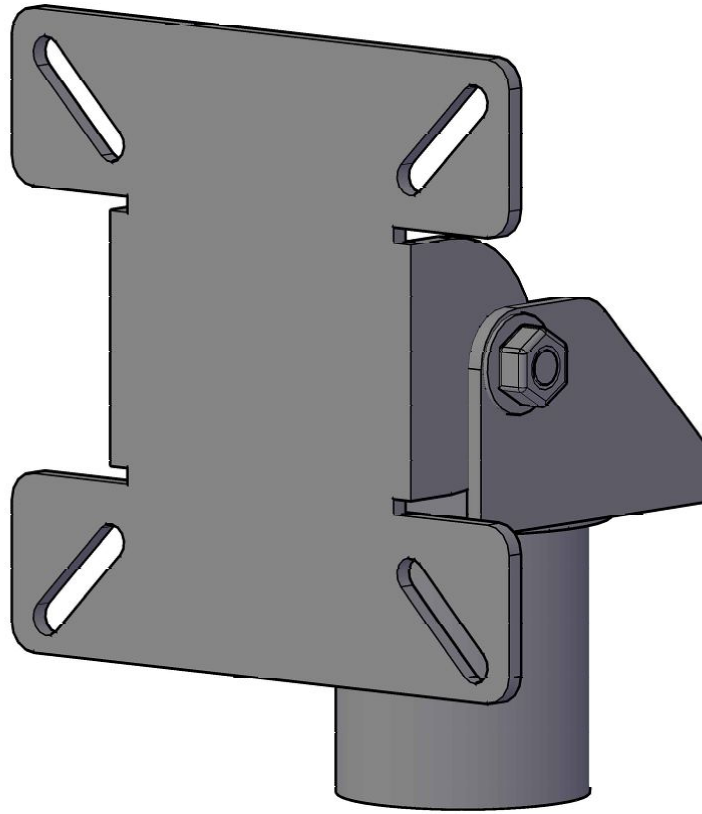
SOPORTE TECLADO 410X190 (COD: STM410)




Detalle Técnico

TÍTULO Y REFERENCIA SOPORTE TECLADO 410X190 (COD. STM410)		 TORREJÓN DE ARDOZ (MADRID) C/Hierro, 27 Telfs: 91 675 14 34 - 91 677 10 92 Fax: 91 677 82 33 www.marsanz.es	
DIRECCIÓN		FECHA 01/10/2020	Nº PLANO 6
DIBUJADO POR EDGAR C.	T. COMERCIAL	ESCALA UNIDAD FORMATO	Nº OPCIÓN
<small>Estos planos son propiedad de CREACIONES MARSANZ S.A. siendo confidenciales para la parte a quien se confían, no debiendo reproducirse total ni parcialmente y, en ningún caso, utilizarse directa o indirectamente en perjuicio de CREACIONES MARSANZ S.A.</small>			

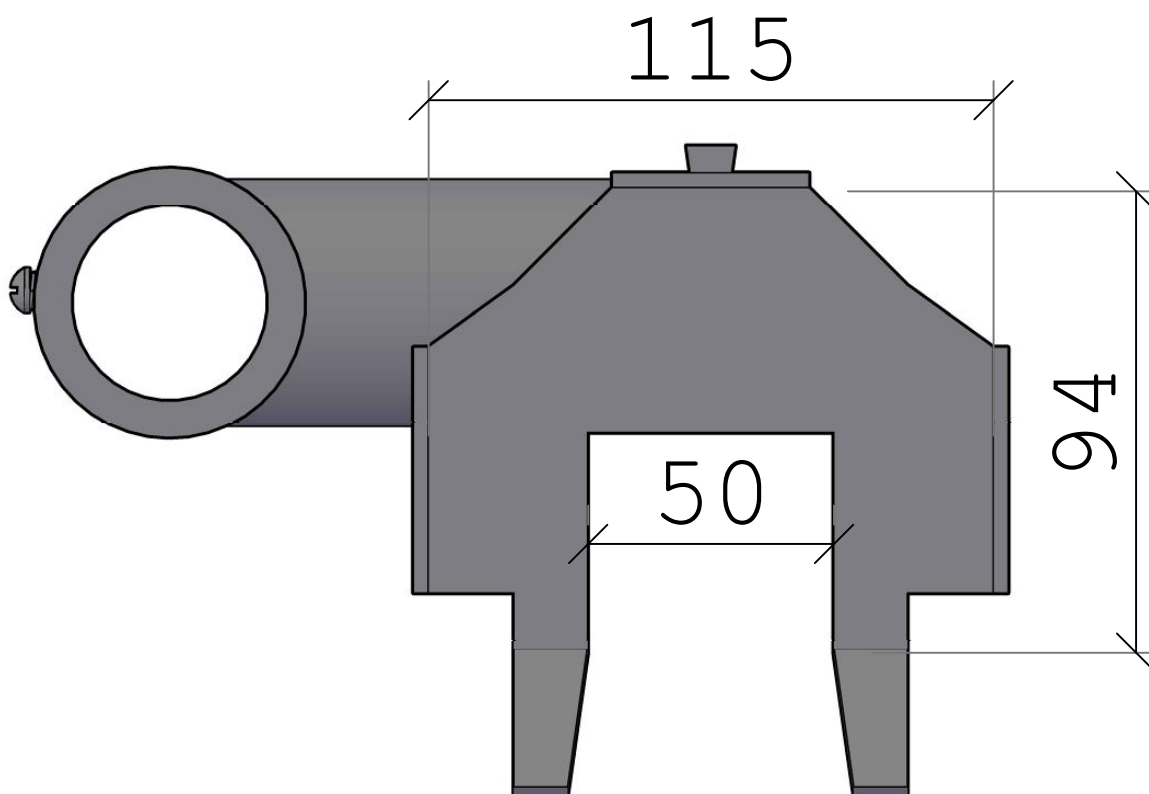
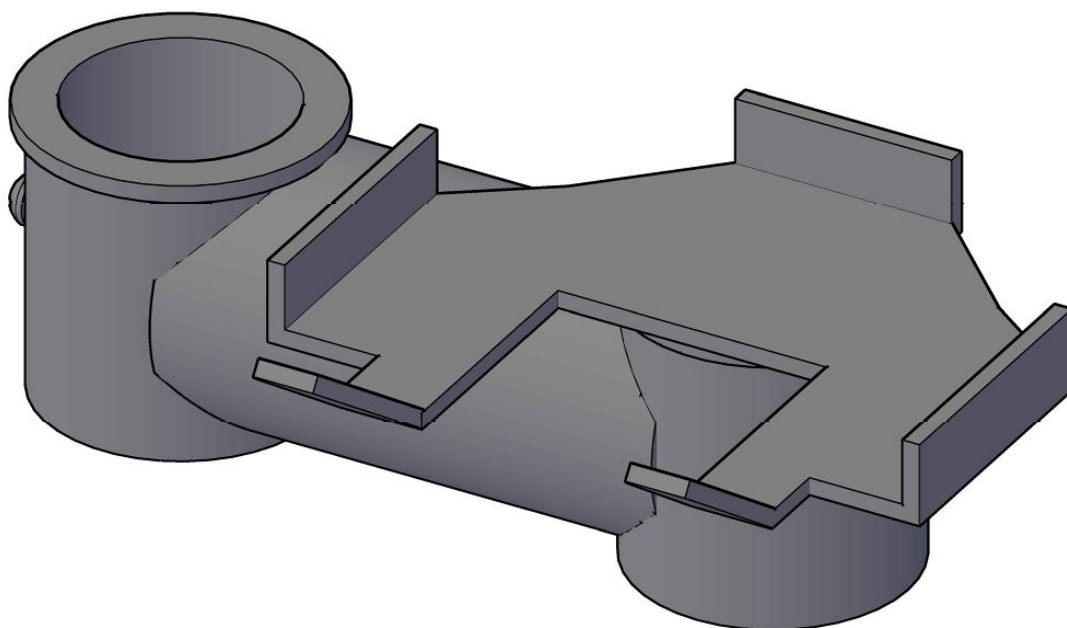
VISOR MONITOR CLIENTE (COD: VMC)




Detalle Técnico

TÍTULO Y REFERENCIA VISOR MONITOR CLIENTE (COD. VMC)				 TORREJÓN DE ARDOZ (MADRID) C/Hierro, 27 Telfs: 91 675 14 34 - 91 677 10 92 Fax: 91 677 82 33 www.marsanz.es	
DIRECCIÓN		FECHA 01/10/2020	Nº PLANO 7		
DIBUJADO POR EDGAR C.	T. COMERCIAL	ESCALA UNIDAD FORMATO	Nº OPCIÓN		
<small>Estos planos son propiedad de CREACIONES MARSANZ S.A. siendo confidenciales para la parte a quien se confían, no debiendo reproducirse total ni parcialmente y, en ningún caso, utilizarse directa o indirectamente en perjuicio de CREACIONES MARSANZ S.A.</small>					

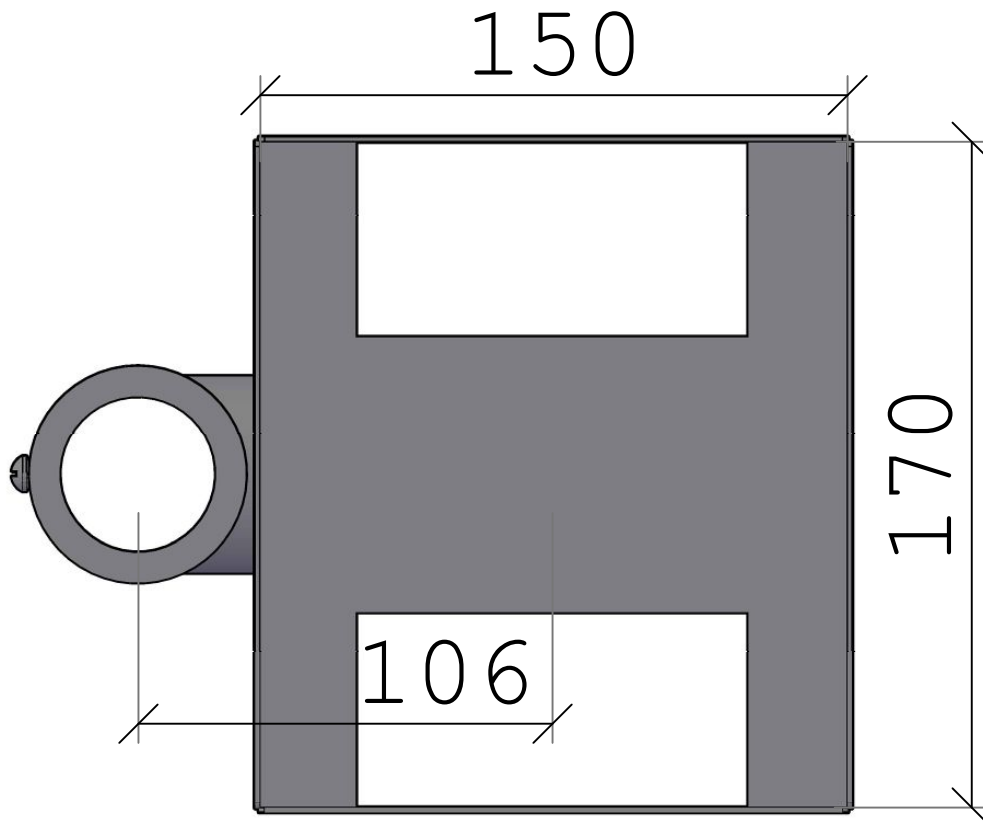
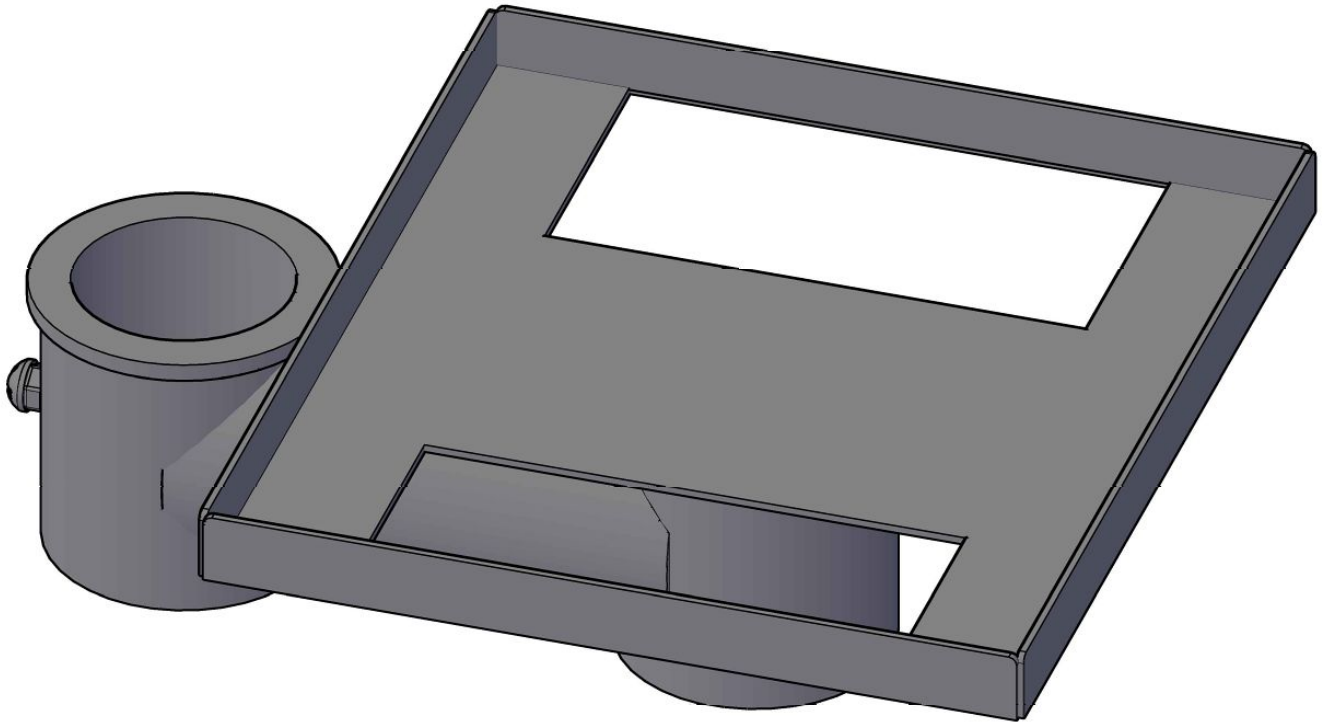
SOPORTE PISTOLA LECTOR CODIGO DE BARRAS (COD: SPLCB)




Detalle Técnico

TÍTULO Y REFERENCIA SOPORTE PISTOLA L.C.B. (COD. SPLCB)		 TORREJÓN DE ARDOZ (MADRID) C/Hierro, 27 Telfs: 91 675 14 34 - 91 677 10 92 Fax: 91 677 82 33 www.marsanz.es	
DIRECCIÓN		FECHA 01/10/2020	Nº PLANO 9
DIBUJADO POR EDGAR C.	T. COMERCIAL	ESCALA UNIDAD FORMATO	Nº OPCIÓN
<small>Estos planos son propiedad de CREACIONES MARSANZ S.A. siendo confidenciales para la parte a quien se confían, no debiendo reproducirse total ni parcialmente y, en ningún caso, utilizarse directa o indirectamente en perjuicio de CREACIONES MARSANZ S.A.</small>			

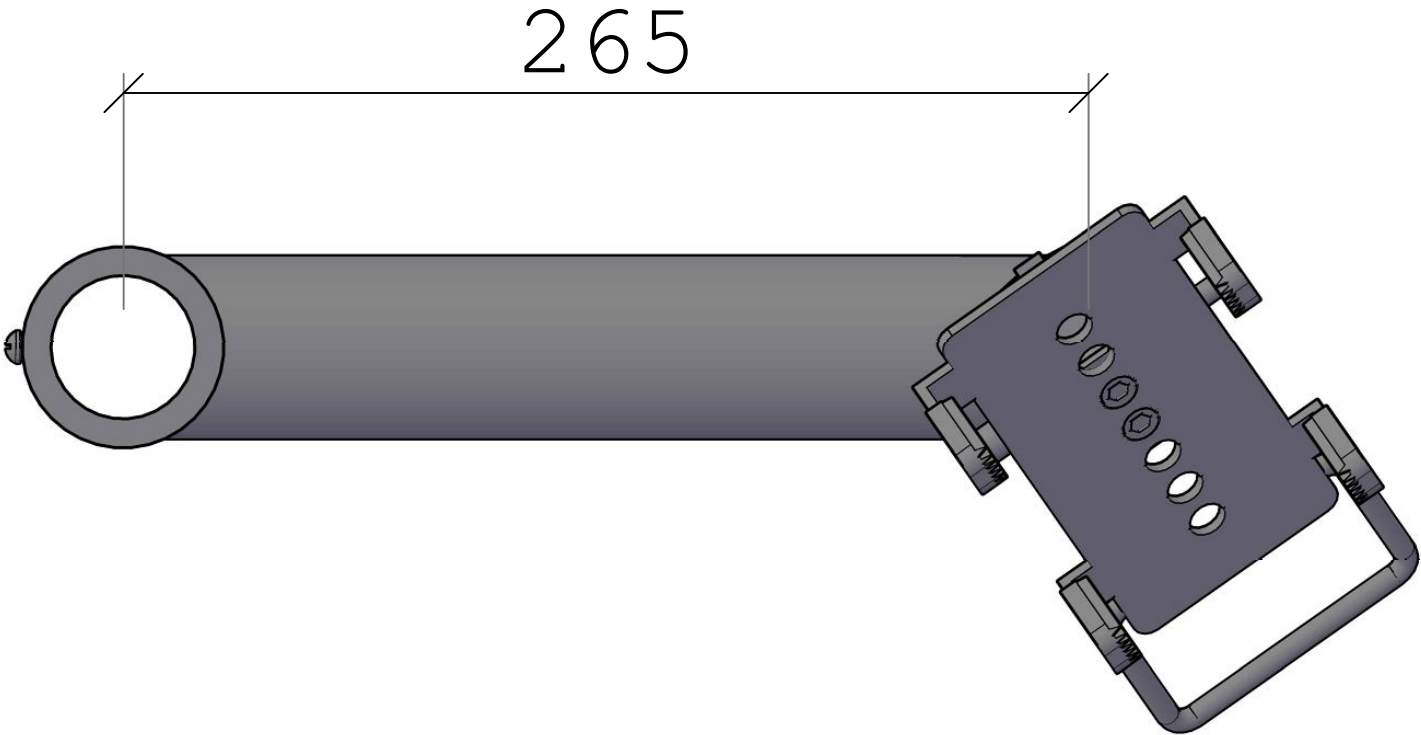
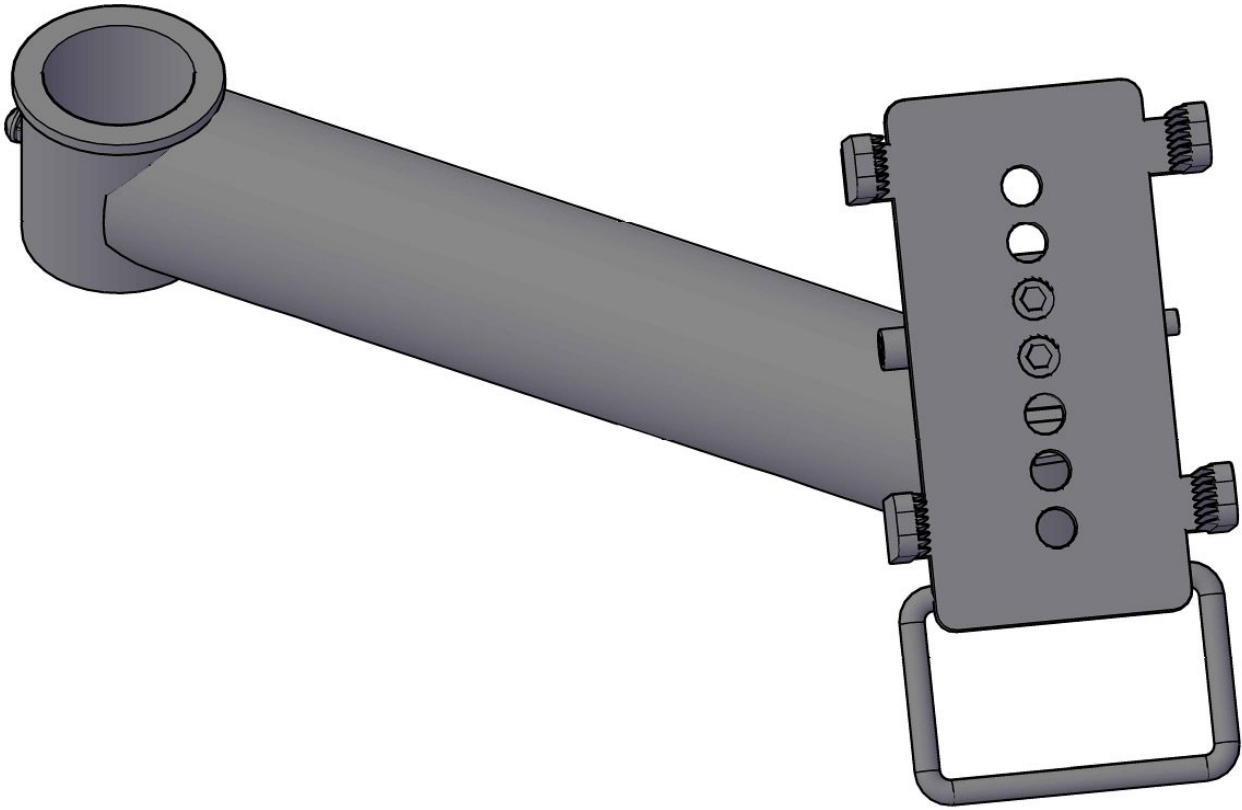
BANDEJA IMPRESORA (COD: BI)




Detalle Técnico

TÍTULO Y REFERENCIA BANEJA IMPRESORA (COD. BI)				 TORREJÓN DE ARDOZ (MADRID) C/Hierro, 27 Telfs: 91 675 14 34 - 91 677 10 92 Fax: 91 677 82 33 www.marsanz.es
DIRECCIÓN		FECHA 01/10/2020	Nº PLANO 9	
DIBUJADO POR EDGAR C.	T. COMERCIAL	ESCALA UNIDAD FORMATO	Nº OPCIÓN	<small>Estos planos son propiedad de CREACIONES MARSANZ S.A. siendo confidenciales para la parte a quien se confían, no debiendo reproducirse total ni parcialmente y, en ningún caso, utilizarse directa o indirectamente en perjuicio de CREACIONES MARSANZ S.A.</small>

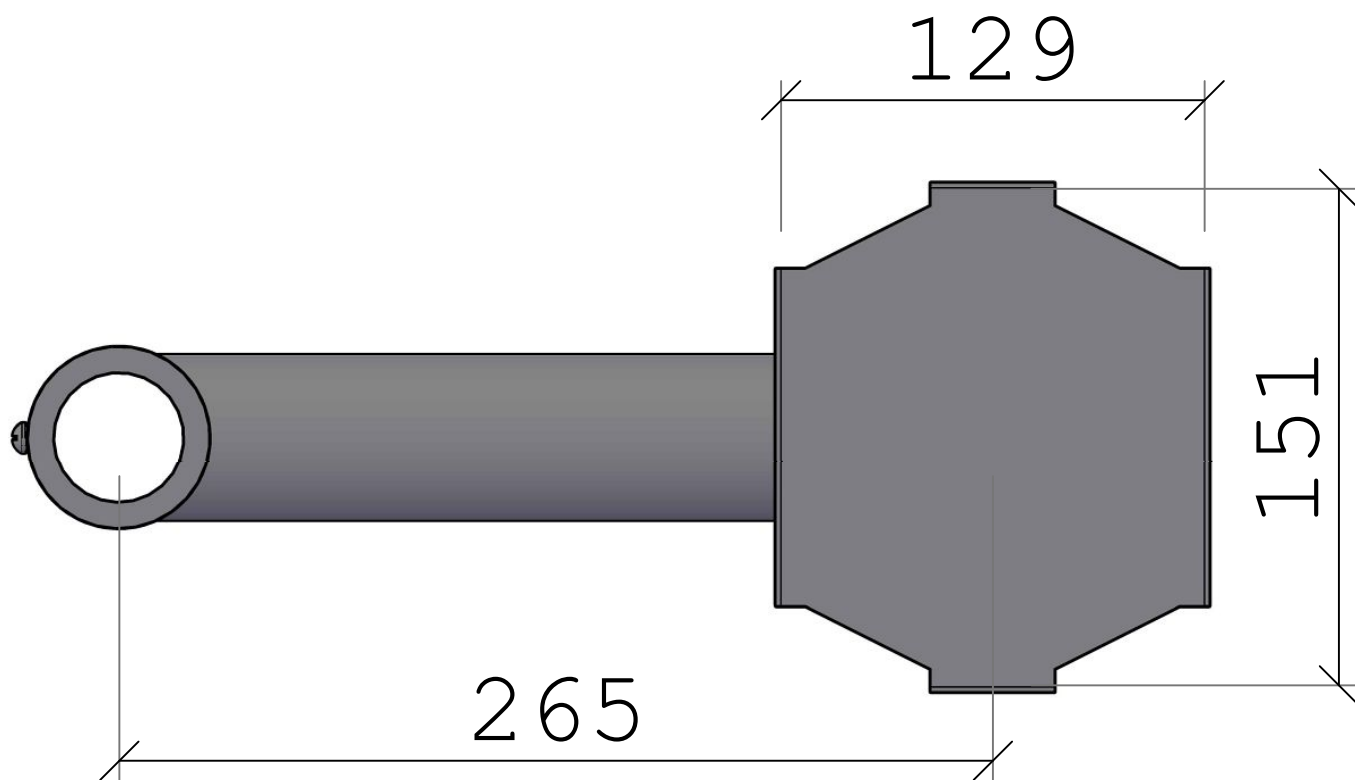
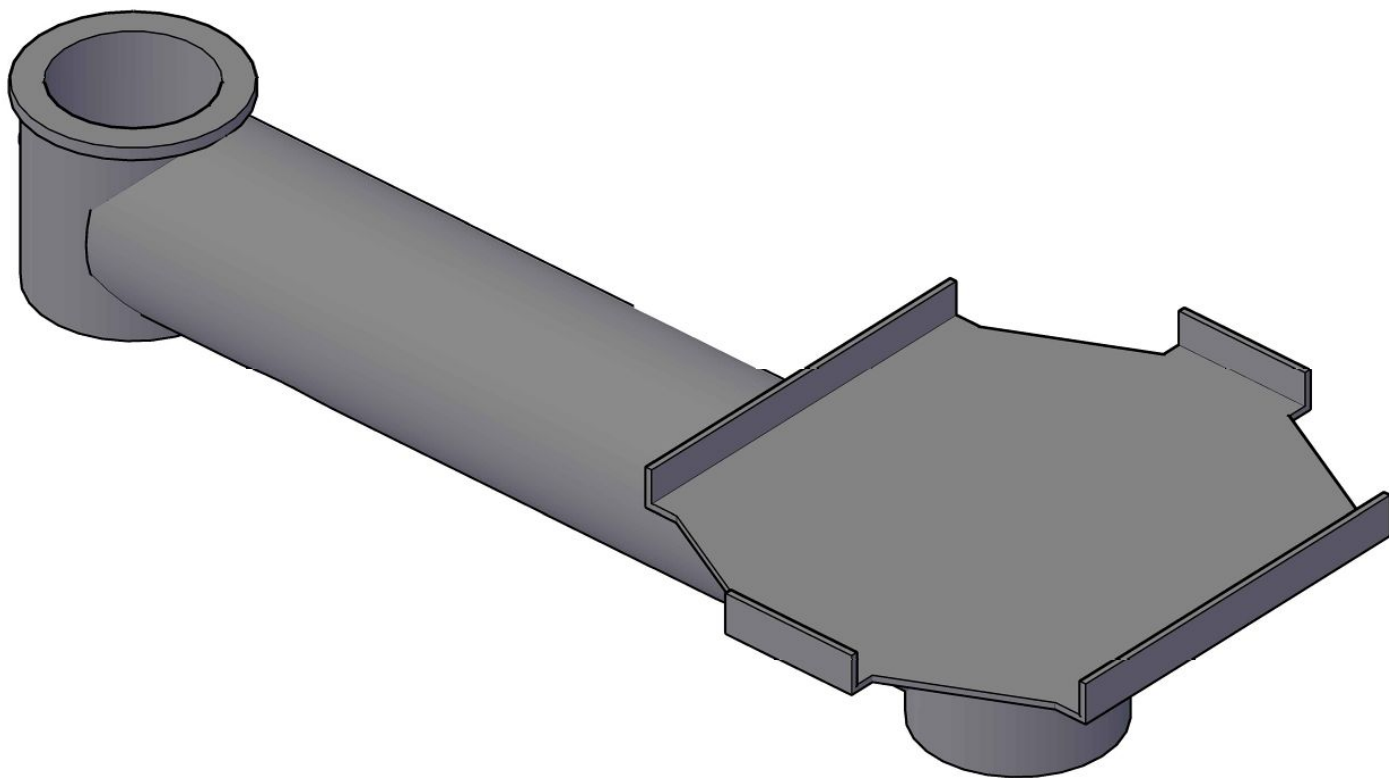
SOPORTE PIN-PAD BRAZO LARGO (COD: SPPBL)



Detalle Técnico

TÍTULO Y REFERENCIA S. PIN-PAD BRAZO LARGO (COD: SPPBL)				 TORREJÓN DE ARDOZ (MADRID) C/Hierro, 27 Telfs: 91 675 14 34 - 91 677 10 92 Fax: 91 677 82 33 www.marsanz.es
DIRECCIÓN		FECHA 01/10/2020	Nº PLANO 10	
DIBUJADO POR EDGAR C.	T. COMERCIAL	ESCALA UNIDAD FORMATO	Nº OPCIÓN	<small>Estos planos son propiedad de CREACIONES MARSANZ S.A. siendo confidenciales para la parte a quien se confían, no debiendo reproducirse total ni parcialmente y, en ningún caso, utilizarse directa o indirectamente en perjuicio de CREACIONES MARSANZ S.A.</small>

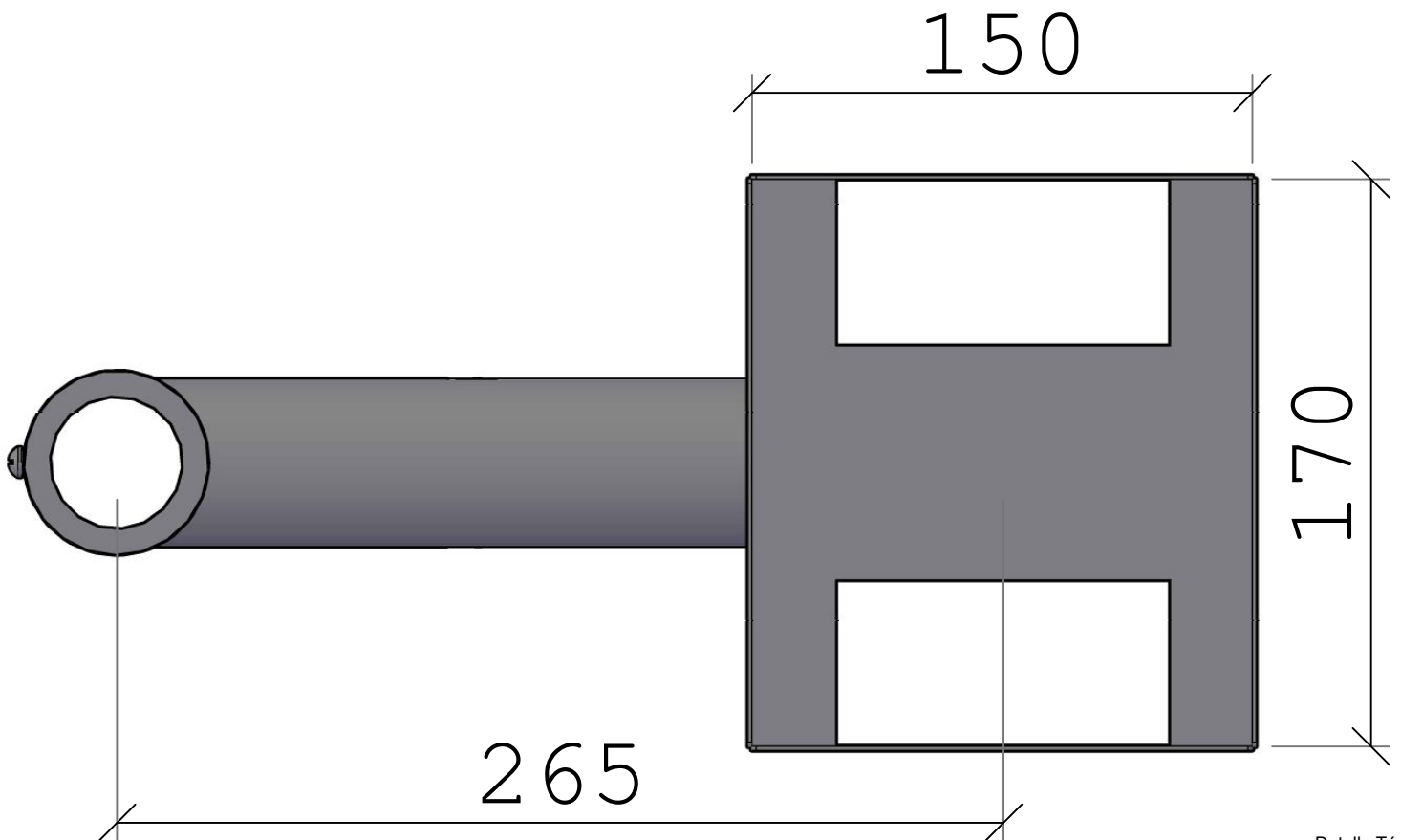
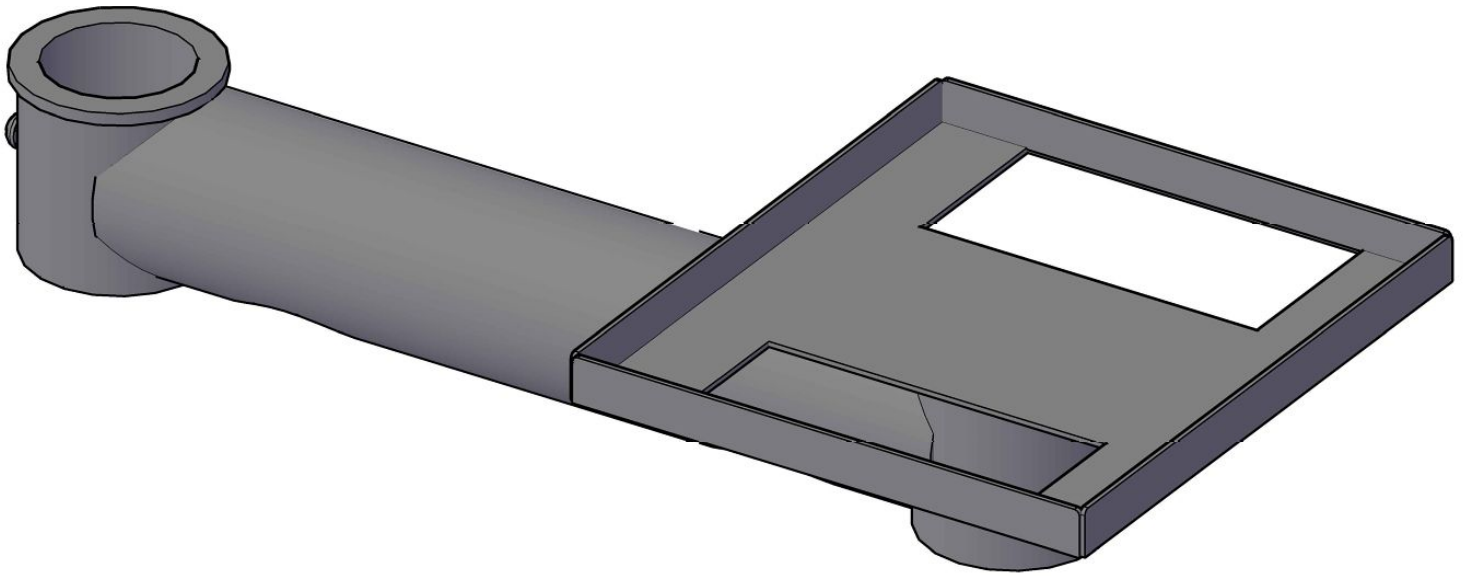
BANDEJA SOPORTE DETECTOR DE BILLETES BRAZO LARGO (COD: BSDBBL)



Detalle Técnico

TÍTULO Y REFERENCIA B. S. D. BILLETES BRAZO LARGO (COD. BSDBBL)				 TORREJÓN DE ARDOZ (MADRID) C/Hierro, 27 Telfs: 91 675 14 34 - 91 677 10 92 Fax: 91 677 82 33 www.marsanz.es
DIRECCIÓN		FECHA 01/10/2020	Nº PLANO 11	
DIBUJADO POR EDGAR C.	T. COMERCIAL	ESCALA UNIDAD FORMATO	Nº OPCIÓN	<small>Estos planos son propiedad de CREACIONES MARSANZ S.A. siendo confidenciales para la parte a quien se confían, no debiendo reproducirse total ni parcialmente y, en ningún caso, utilizarse directa o indirectamente en perjuicio de CREACIONES MARSANZ S.A.</small>

BANDEJA IMPRESORA (COD: BIBL)



Detalle Técnico

TÍTULO Y REFERENCIA BANEJA IMPRESORA (COD. BIBL)				 TORREJÓN DE ARDOZ (MADRID) C/Hierro, 27 Telfs: 91 675 14 34 - 91 677 10 92 Fax: 91 677 82 33 www.marsanz.es
DIRECCIÓN		FECHA 01/10/2020	Nº PLANO 12	
DIBUJADO POR EDGAR C.	T. COMERCIAL	ESCALA UNIDAD FORMATO	Nº OPCIÓN	<small>Estos planos son propiedad de CREACIONES MARSANZ S. A. siendo confidenciales para la parte a quien se confían, no debiendo reproducirse total ni parcialmente y, en ningún caso, utilizarse directa o indirectamente en perjuicio de CREACIONES MARSANZ S. A.</small>

CHECK-OUT CINTA CIERRAPASOS

CIERRAPASOS EXTENSIBLE CON CINTA //

1. Adaptación para lado
cliente o cajera.

2. Integrado en pata mueble
mecanizado con fijación
interior.

Cód.CCMCC230



(Opción 2)



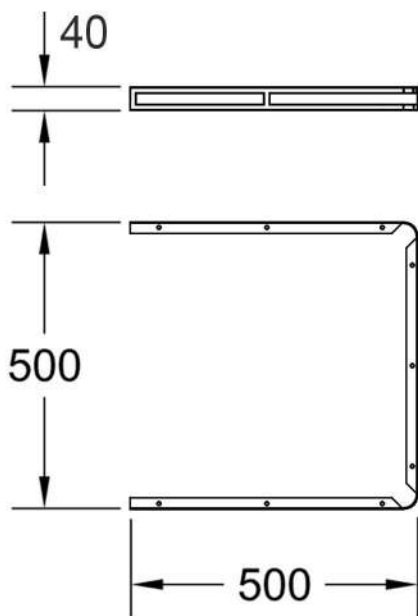
(Opción 1)

VENTA IMPULSO
ESTANTES SOBRE POSTE

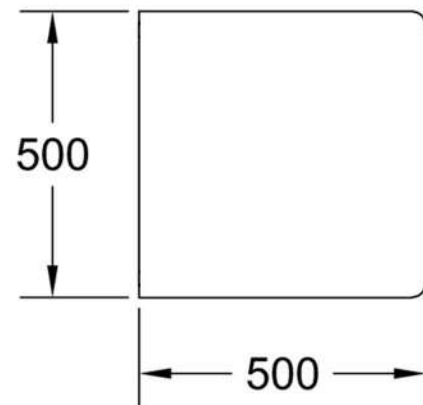
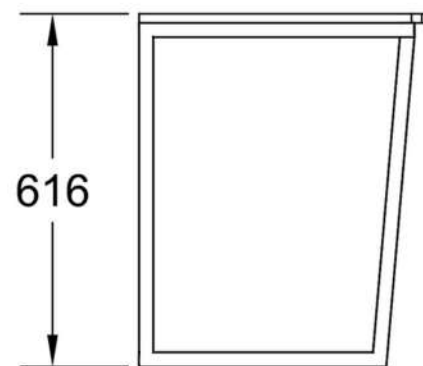


MESAS IMPULSO "MARLO"

- Mesa estilo industrial fabricada en tubo extrusionado de 25x25mm espesor 2mm. acabado en negro.
- Encimera madera redondeado en el el lado de servicio acabado hormigón Chicago EGGER F 189.
- Balcón de acero de 9mm de espesor fijado mediante tornillería a encimera. Acabado en negro.

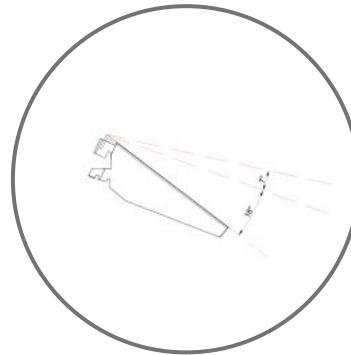
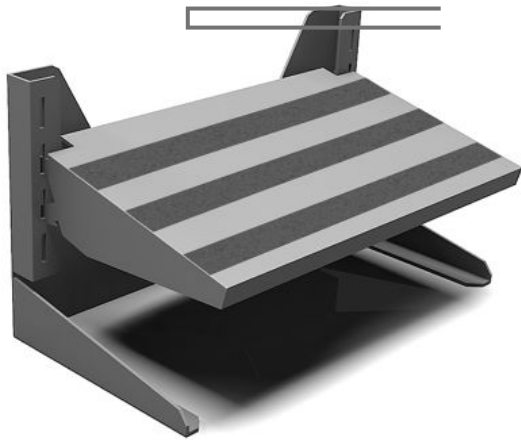


Cód.MVIM5050



REPOSAPIES SISTEMA CONFORT

CÓD. RPPR

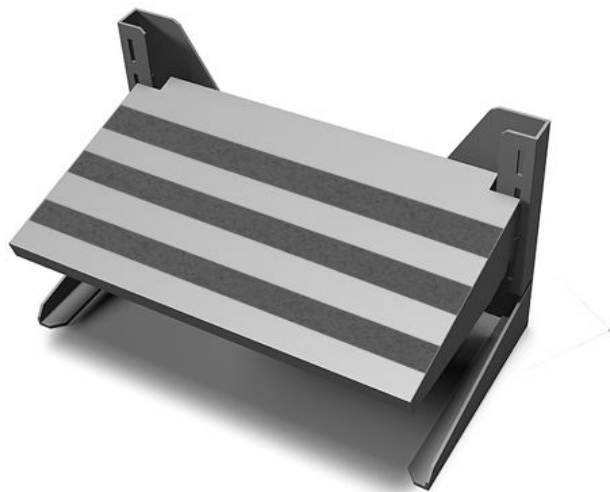


Regulable en altura e inclinación

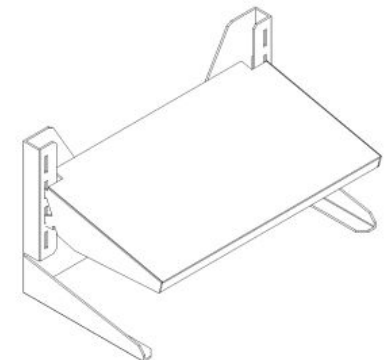
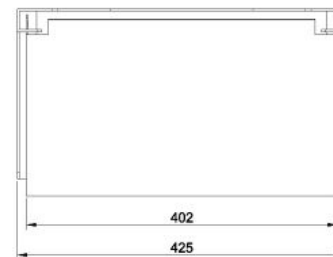
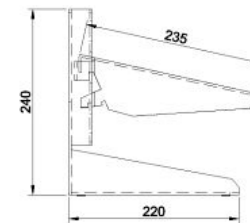
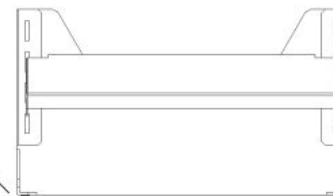
Soporte regulable en 3 alturas e inclinaciones para adaptarse a cada usuario.

Acabados

Almohadillas de goma en la parte inferior y bandas adhesivas antideslizantes.



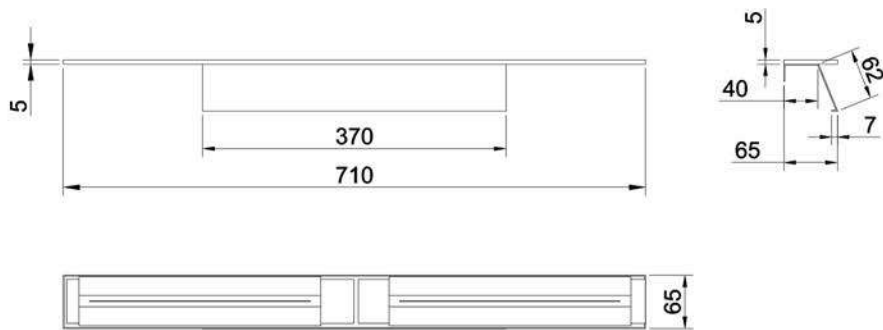
Almohadillas goma



MUEBLE CAJA SOPORTE SEPARADOR CLIENTE SIGUIENTE

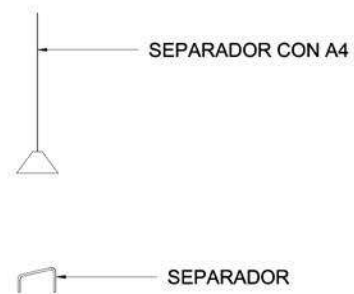
Soporte

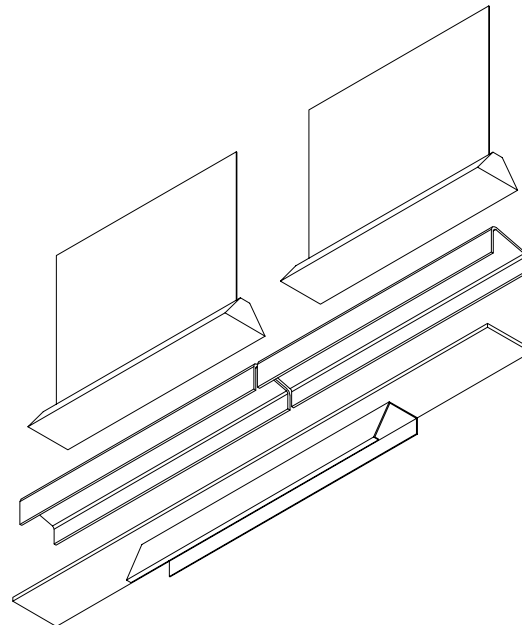
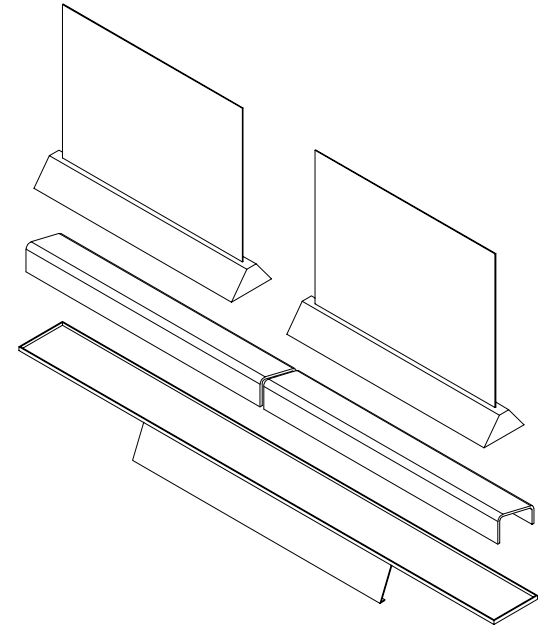
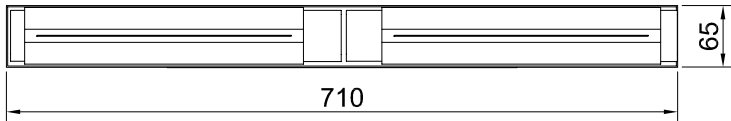
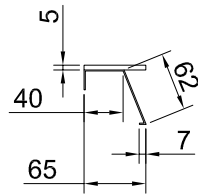
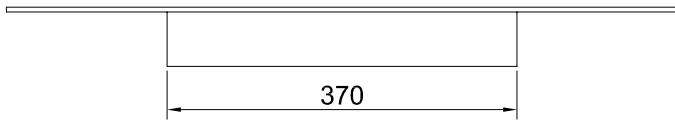
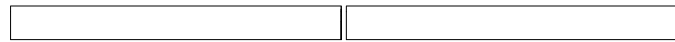
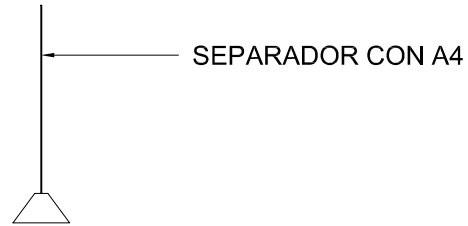
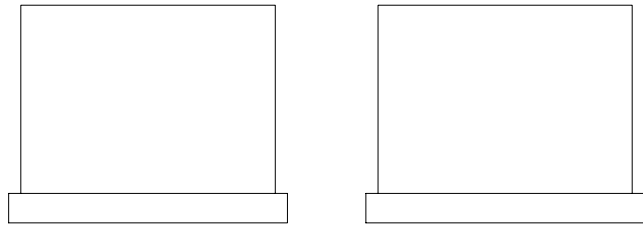
Montaje en campo sin herramientas.




Separador

Compatible con separador Marsanz y separador con A4.



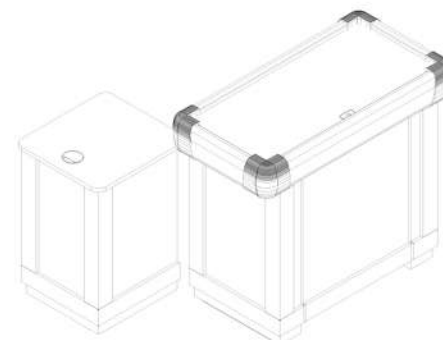
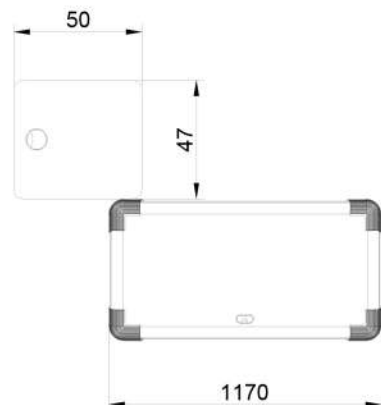
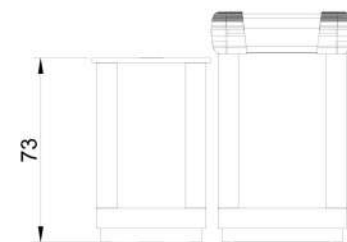
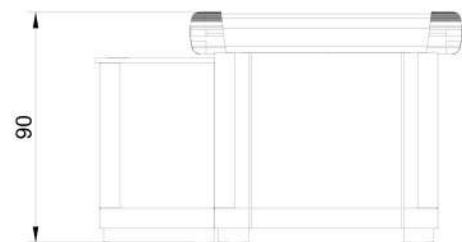


CÓD. SSCSSP

TÍTULO Y REFERENCIA SEPARADOR CLIENTE SIGUIENTE SOPORTE SOBRE PERFIL SIN UNIÓN				 TORREJÓN DE ARDOZ (MADRID) C/Hierro, 27 Telfs: 91 675 14 34 - 91 677 10 92 Fax: 91 677 82 33 www.marsanz.es
DIRECCIÓN MADRID		FECHA	Nº PLANO 1	
DIBUJADO POR	T. COMERCIAL	ESCALA UNIDAD FORMATO	Nº OPCIÓN 1	<small>Estos planos son propiedad de CREACIONES MARSANZ S.A. siendo confidenciales para la parte a quien se confían, no debiendo reproducirse total ni parcialmente y, en ningún caso, utilizarse directa o indirectamente en perjuicio de CREACIONES MARSANZ S.A.</small>

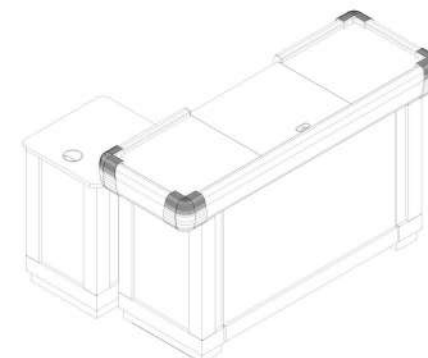
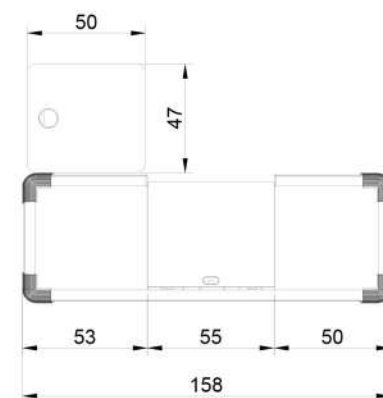
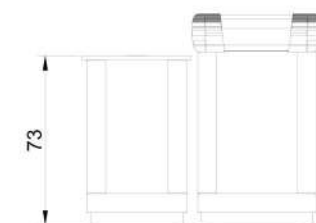
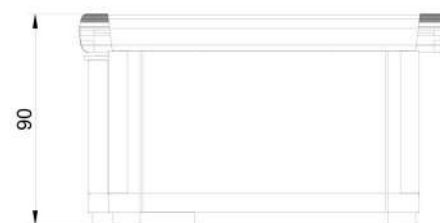
CHECK-OUT
DECO SERIE A 1200 CARRO A CARRO

CÓD. MCCCDE120



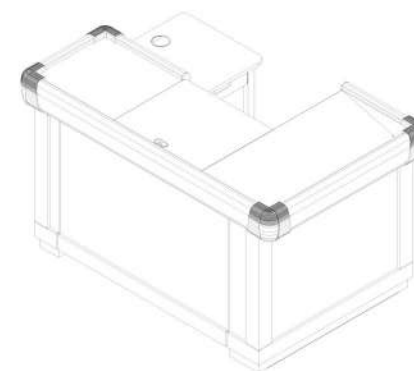
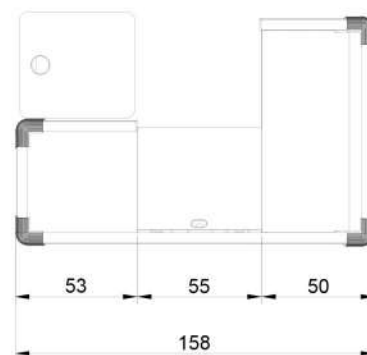
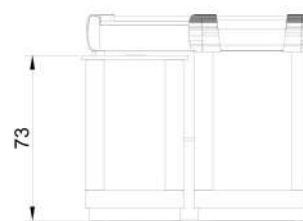
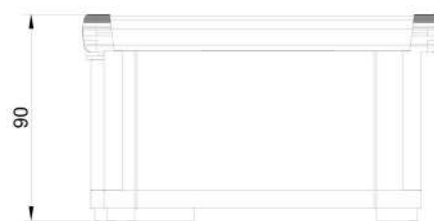
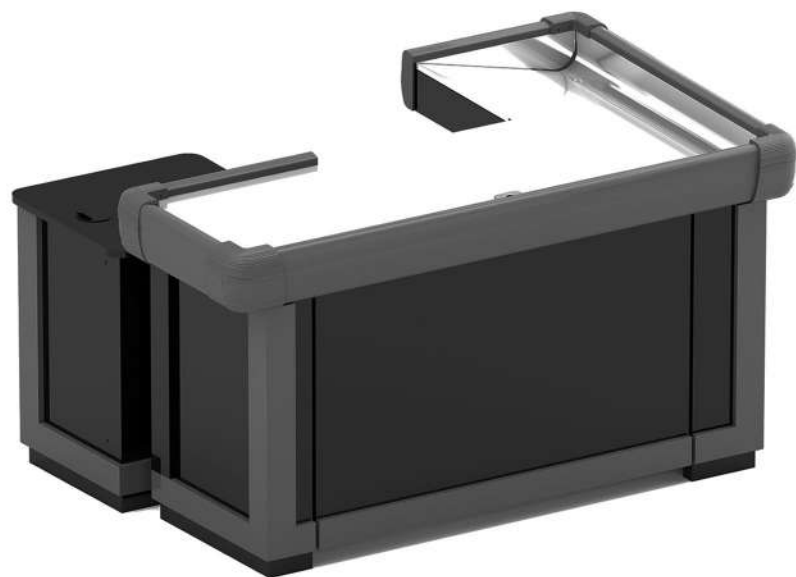
CHECK-OUT
DECO SERIE A 1600 CARRO A CARRO

CÓD. MCCCDE160-D / MCCCDE160-I



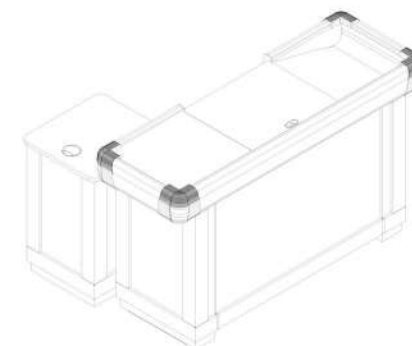
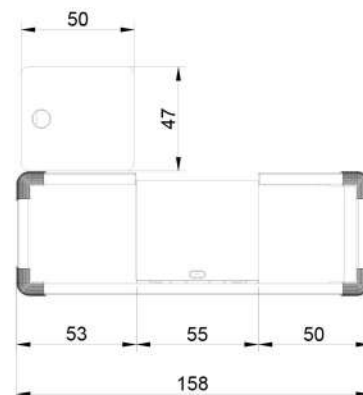
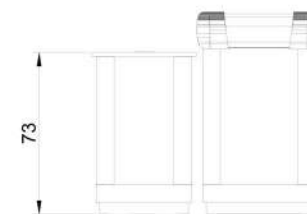
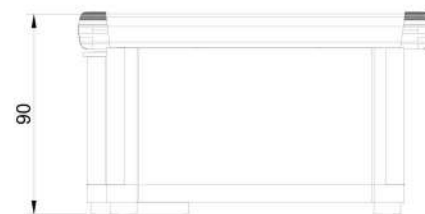
CHECK-OUT
DECO SERIE A 1600 CUBA

CÓD. MCCDE160-D / MCCDE160-I



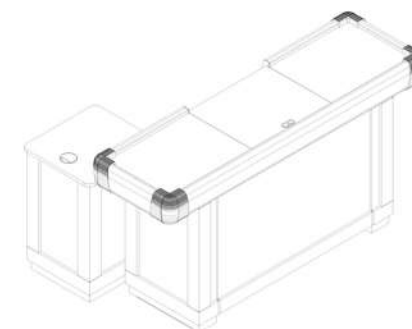
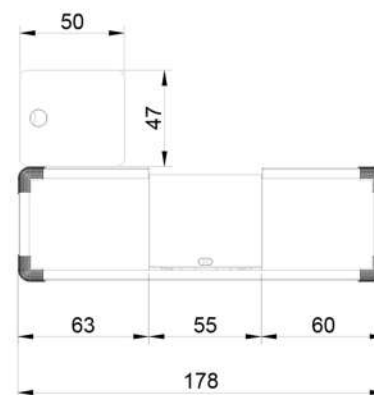
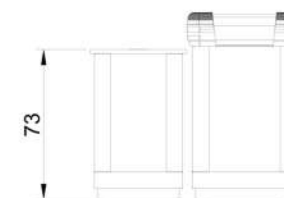
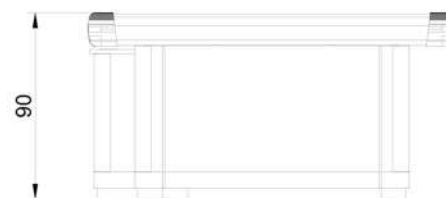
CHECK-OUT
DECO SERIE A 1600 RECTO

CÓD. MCRDE160-D / MCRDE160-I



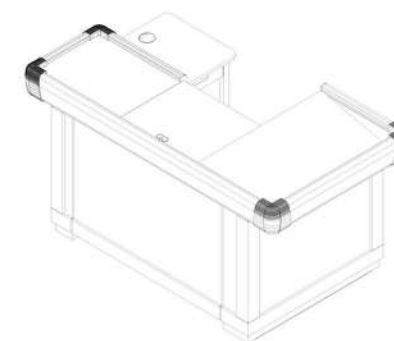
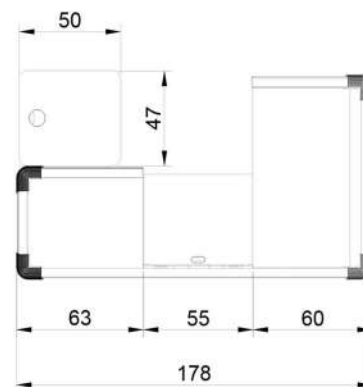
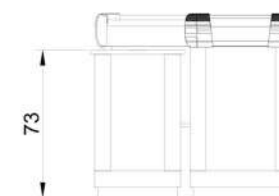
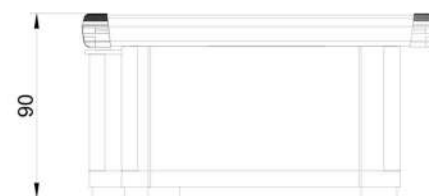
CHECK-OUT
DECO SERIE A 1800 CARRO A CARRO

CÓD. MCCCDE180-D / MCCCDE180-I



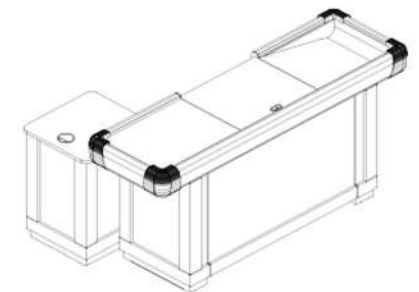
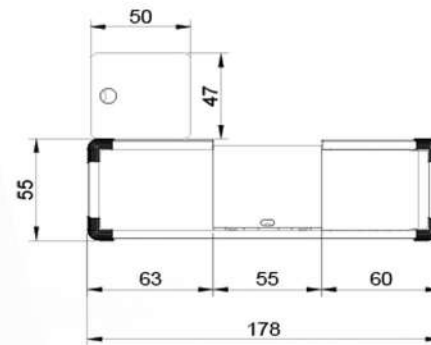
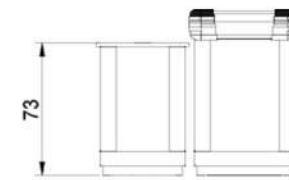
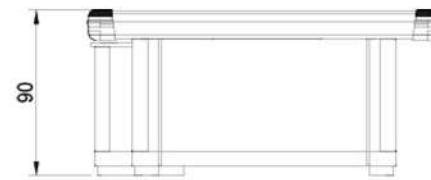
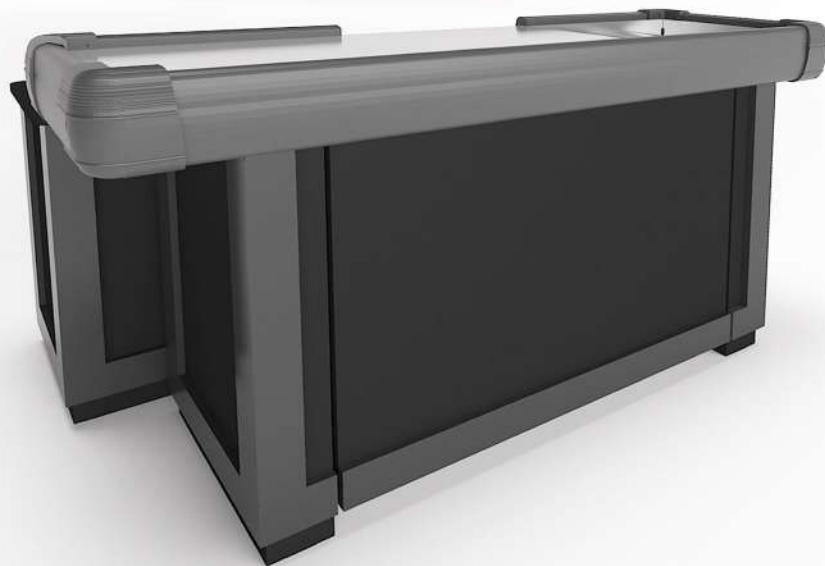
CHECK-OUT
DECO SERIE A - 1800 CUBA

CÓD. MCCDE180-D / MCCDE180-I

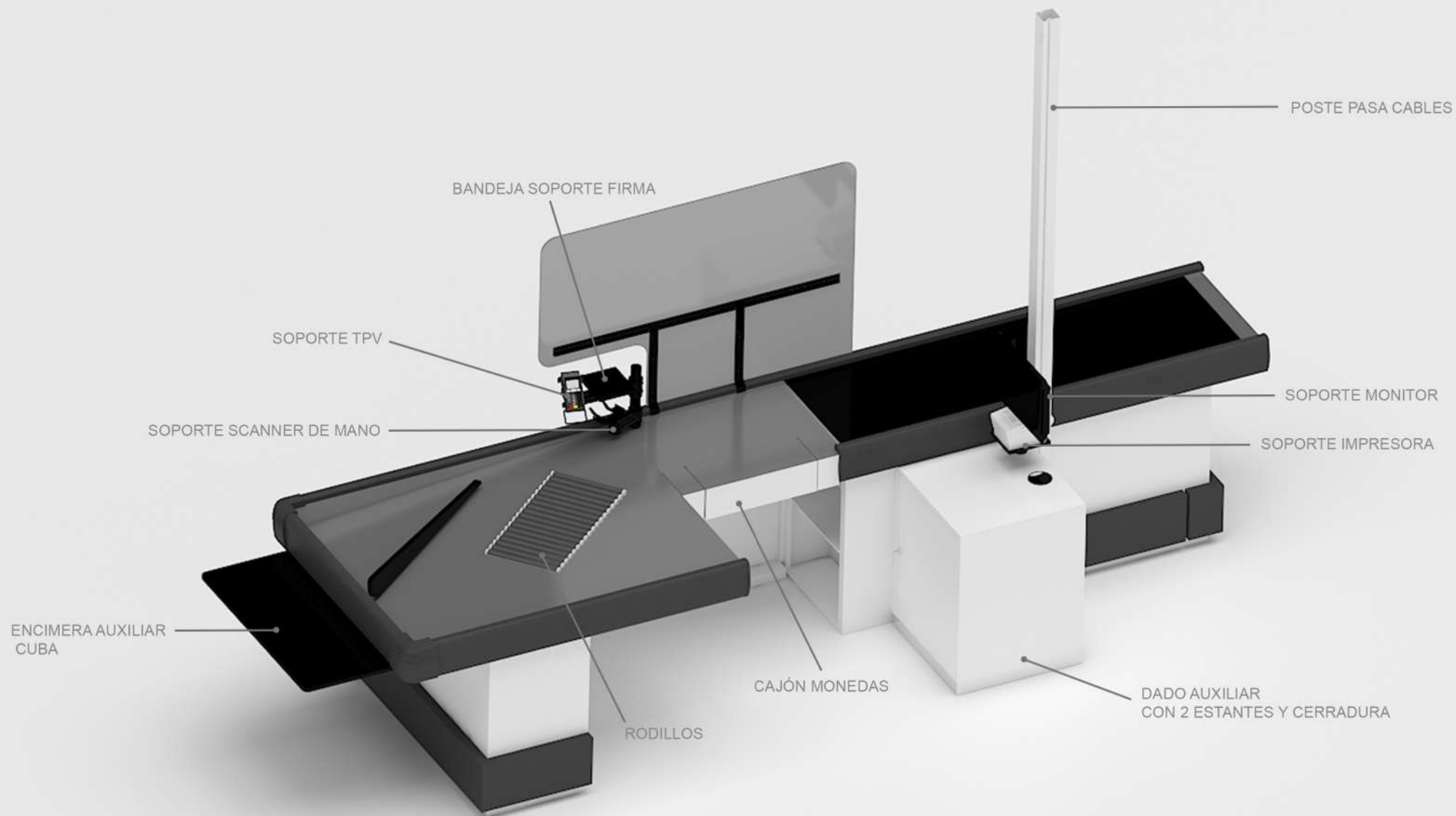


CHECK-OUT
DECO SERIE A 1800 RECTO

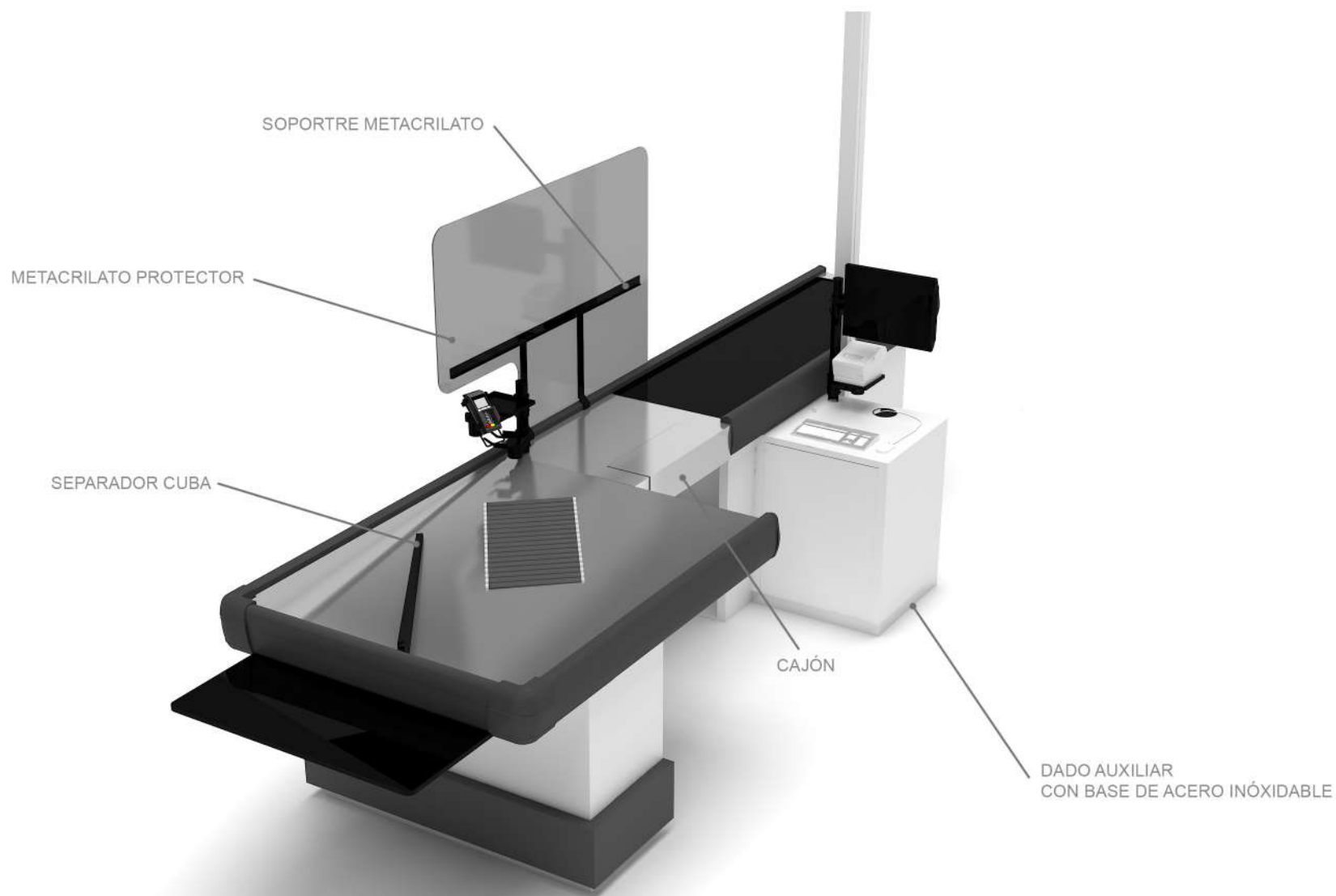
CÓD. MCRDE180-D / MCRDE180-I



CHECK-OUT MUEBLE DECO 4320



CHECK-OUT
MUEBLE DECO 4320



CHECK-OUT
MUEBLE DECO 4320



CHECK-OUT
MUEBLE DECO 4320



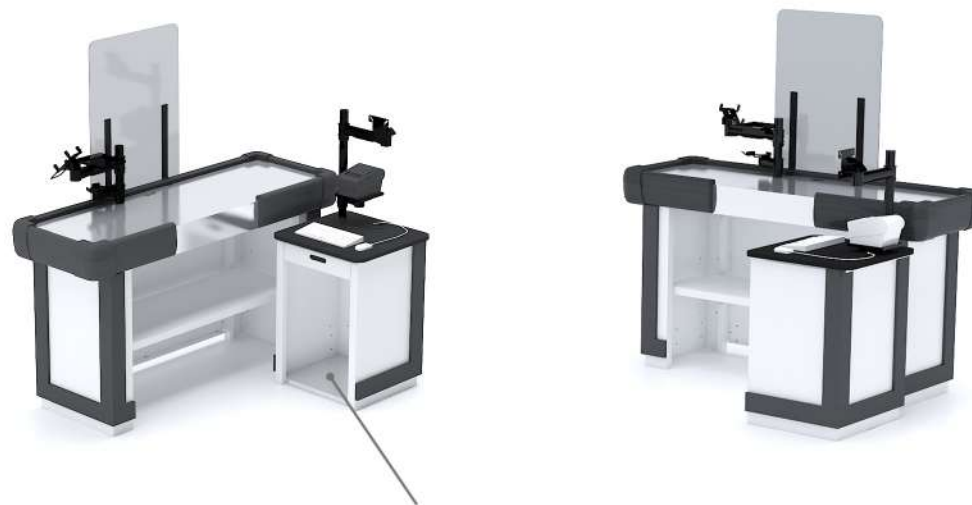
CHECK-OUT
MUEBLE DECO 4320



CHECK-OUT MUEBLE DECO 4320

MULTIBRAZO 1
SOPORTE MONITOR (REGULABLE)
SOPORTE IMPRESORA

MULTIBRAZO 2
SOPORTE DATÁFONO
SOPORTE FIRMA
SOPORTE LECTOR DE MANO



DADO ABIERTO CON CAJÓN / CERRADO CON ESTANTES Y CERRADURA



CHECK OUT
MODELO DECO

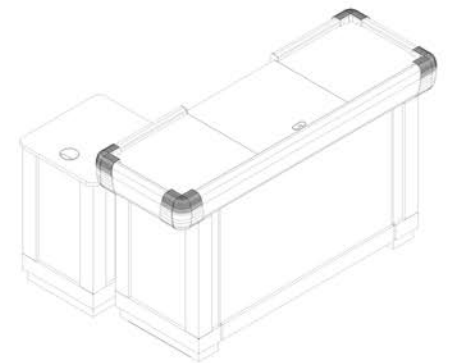
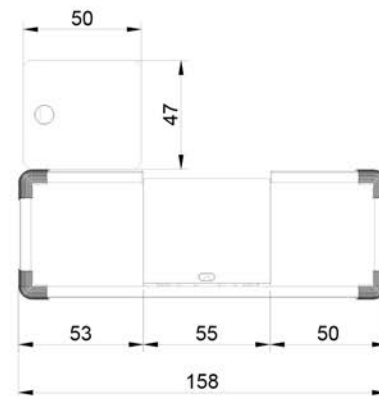
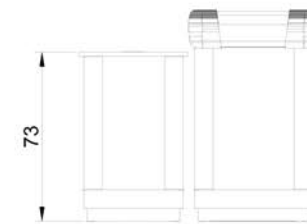
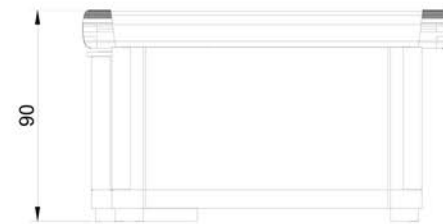


CHECK OUT
MODELO DECO

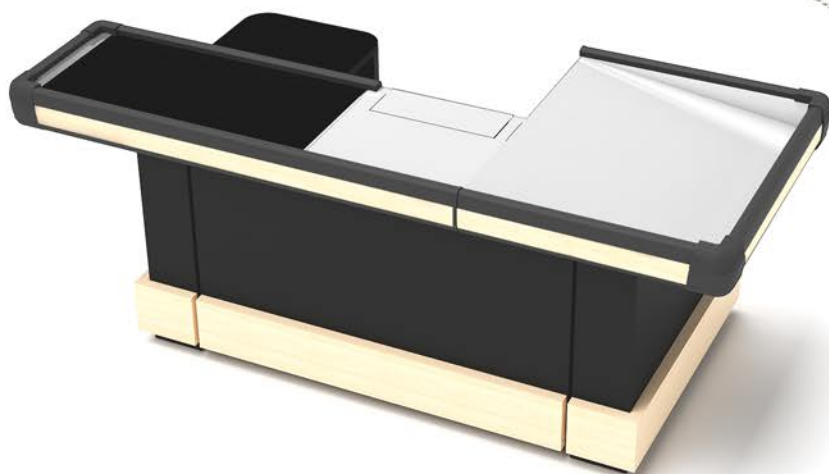
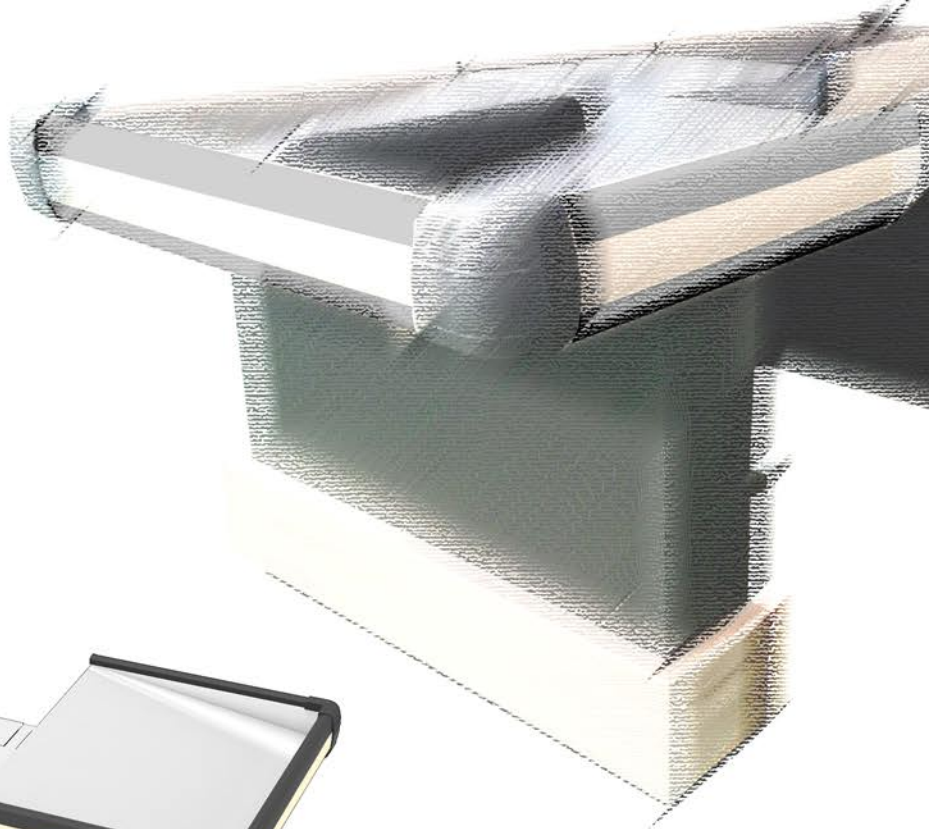


CHECK-OUT
DECO SERIE A 1600 CARRO A CARRO

CÓD. MCCCDE160-D / MCCCDE160-I



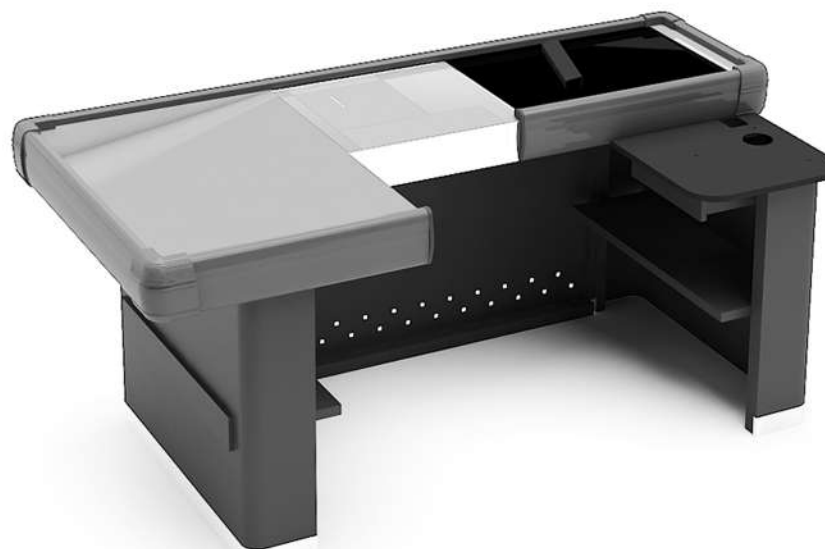
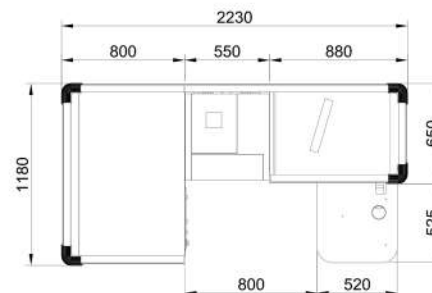
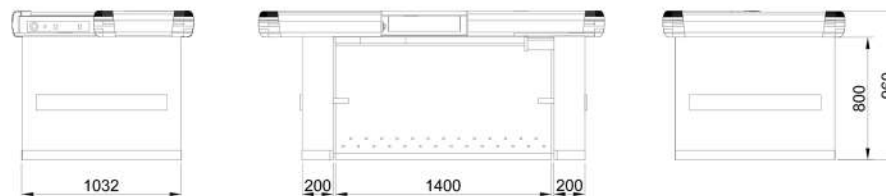
CHECK-OUT
DECO



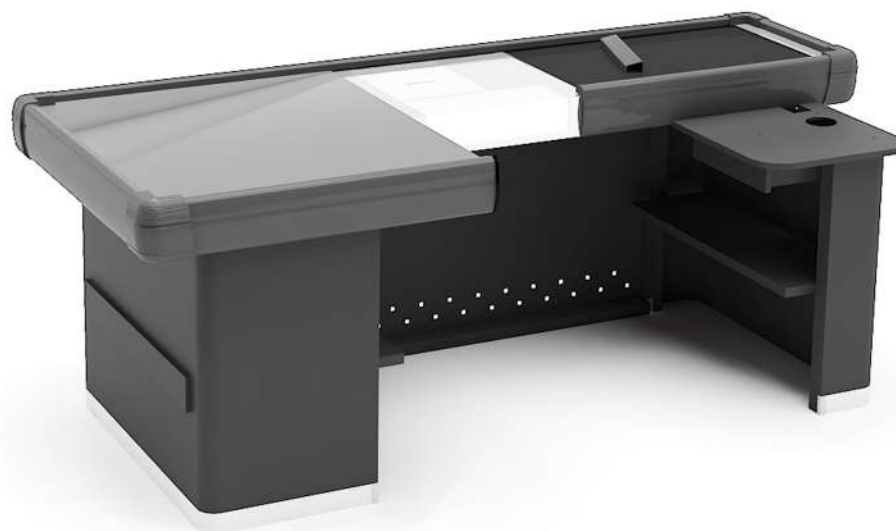
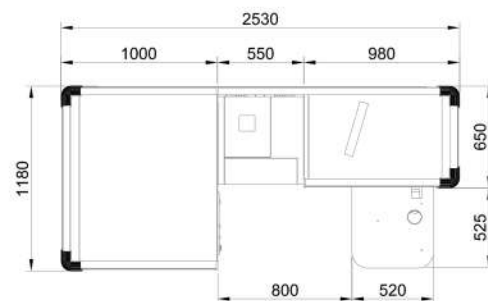
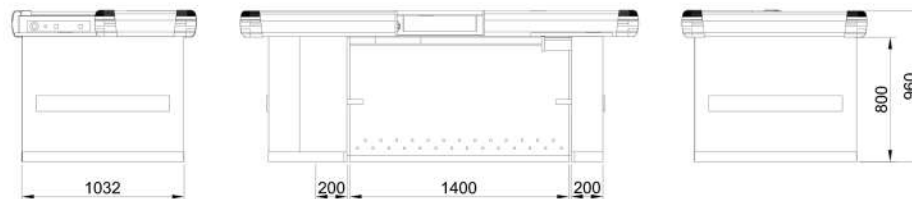
Marsanz



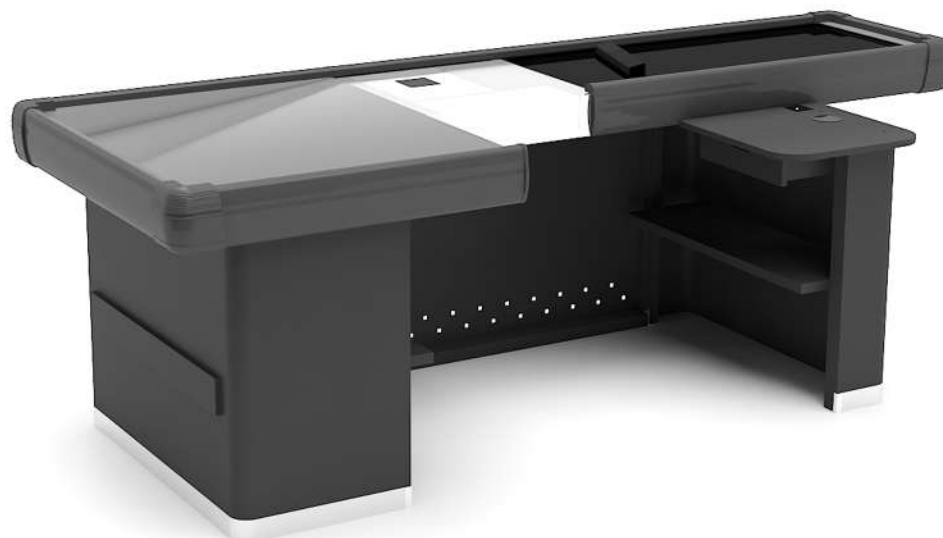
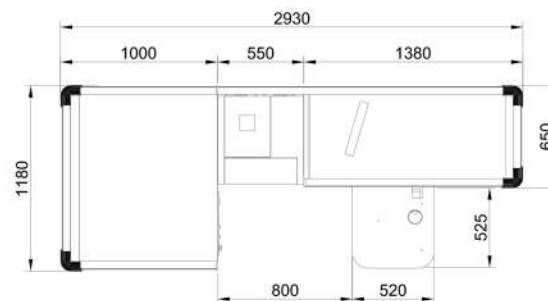
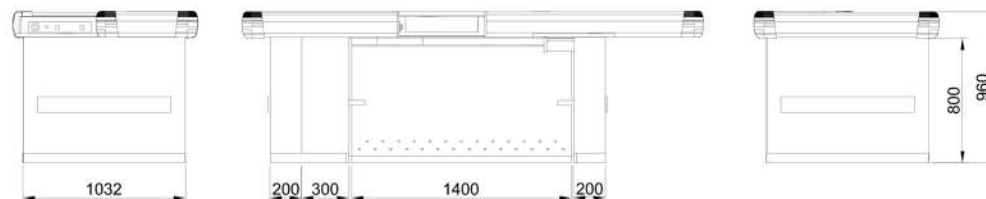
MUEBLE CAJA ERGO
MODELO 2230



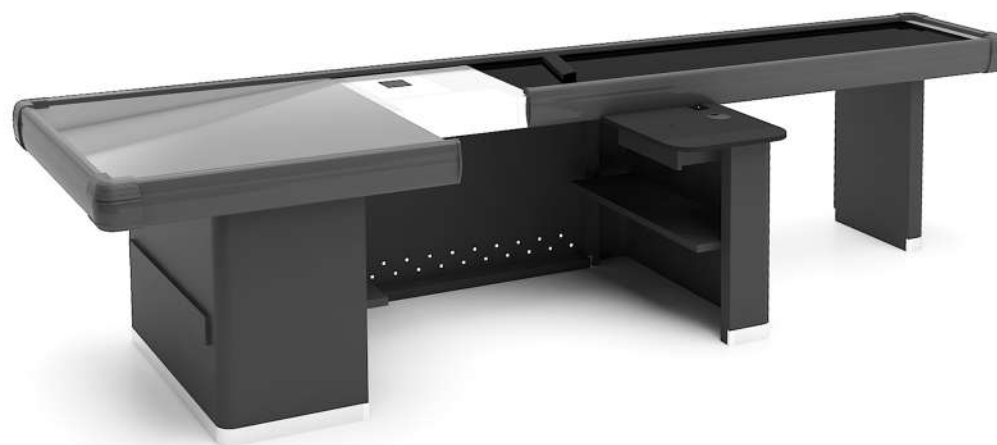
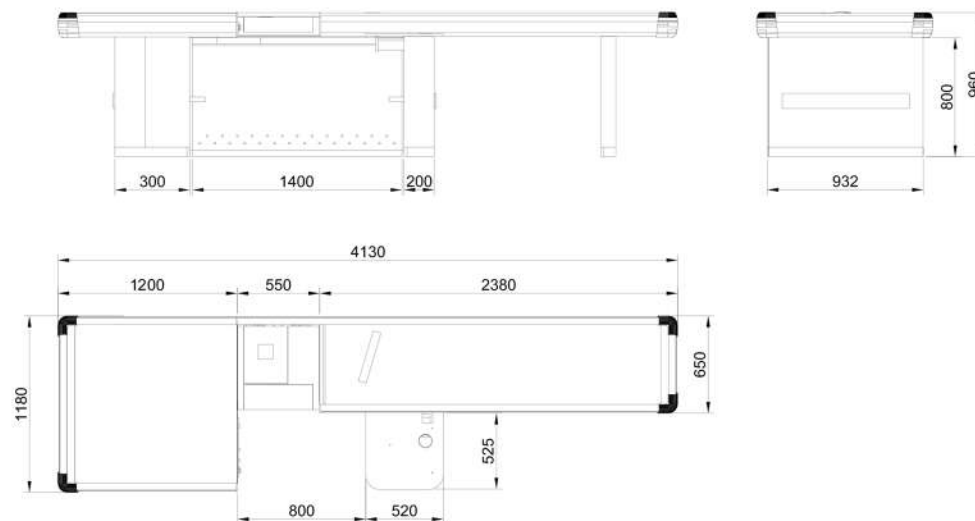
MUEBLE CAJA ERGO
MODELO 2530

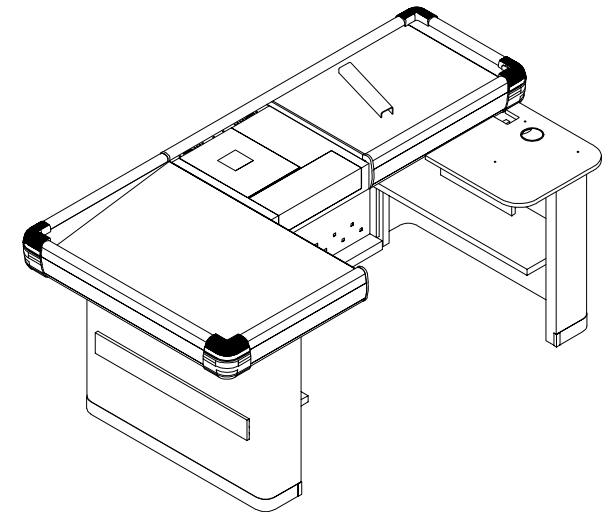
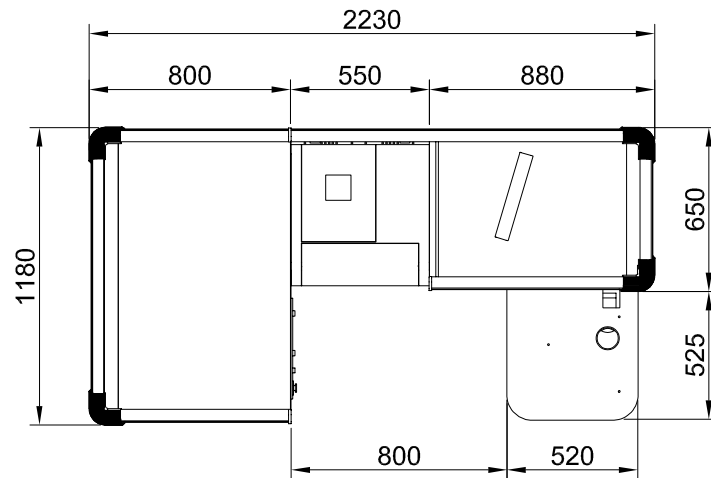
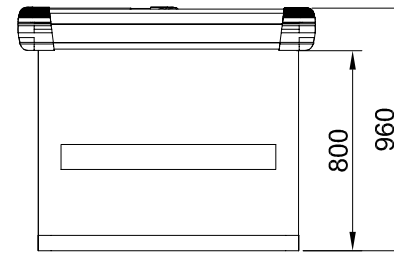
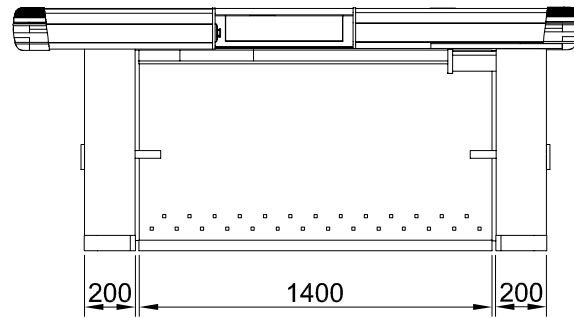
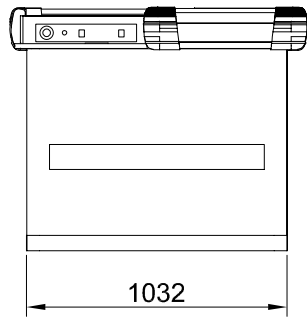


MUEBLE CAJA ERGO
MODELO 2930

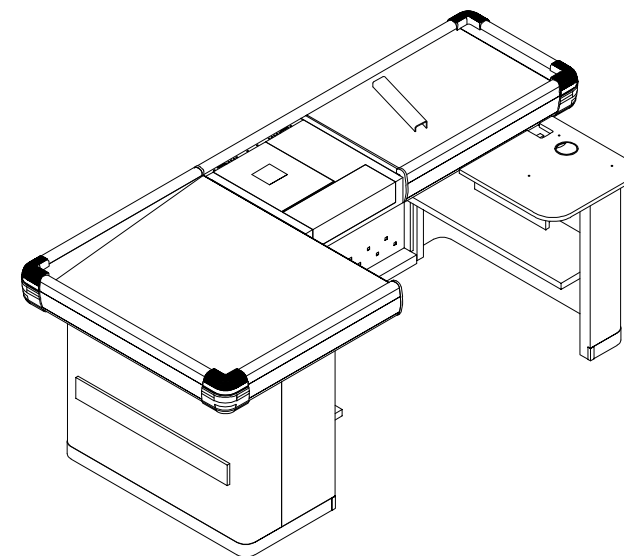
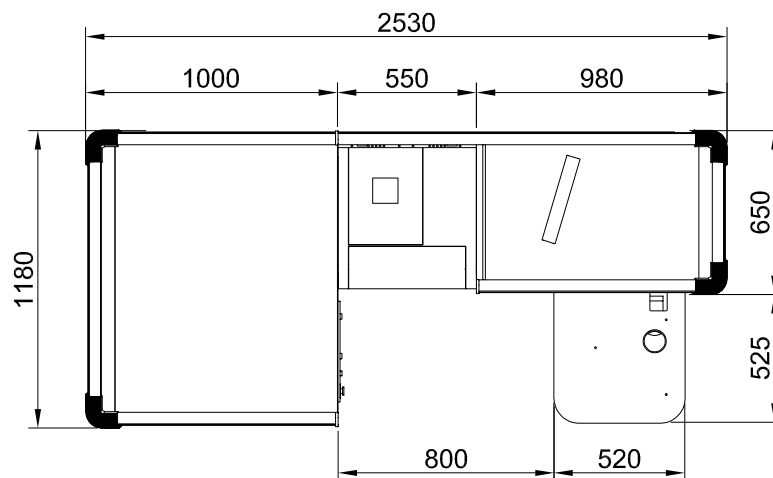
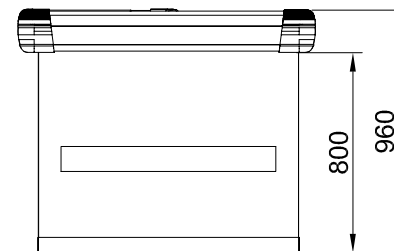
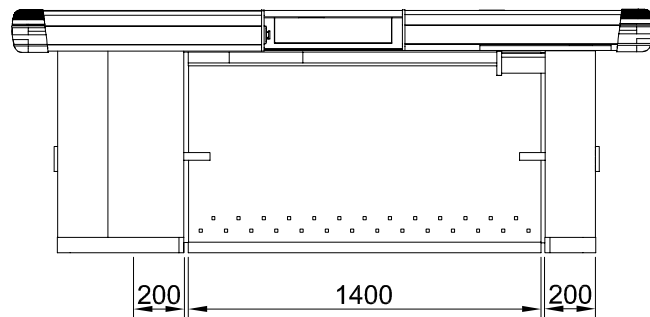
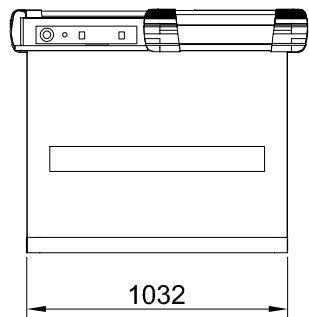


MUEBLE CAJA ERGO
MODELO 4130

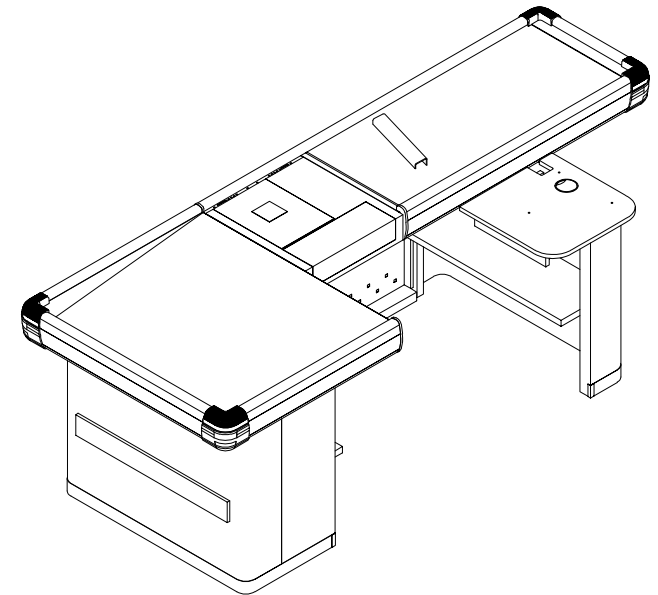
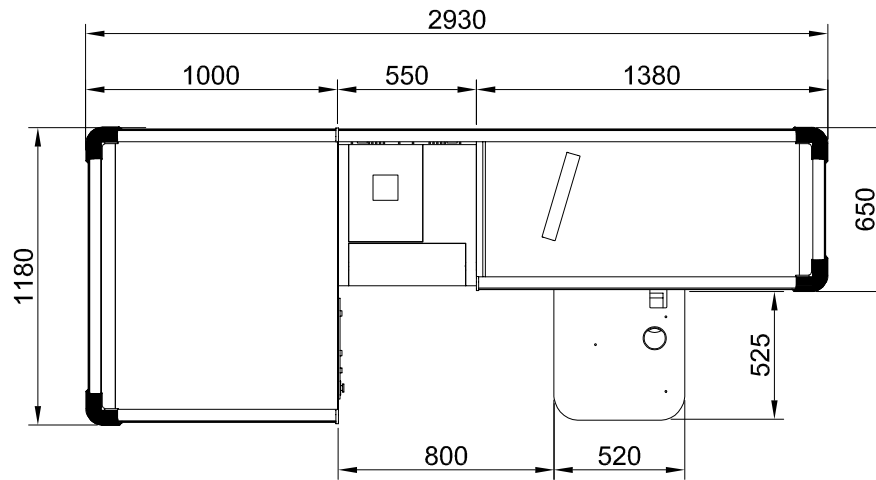
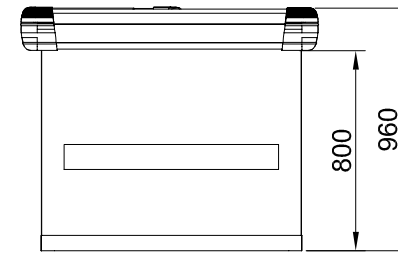
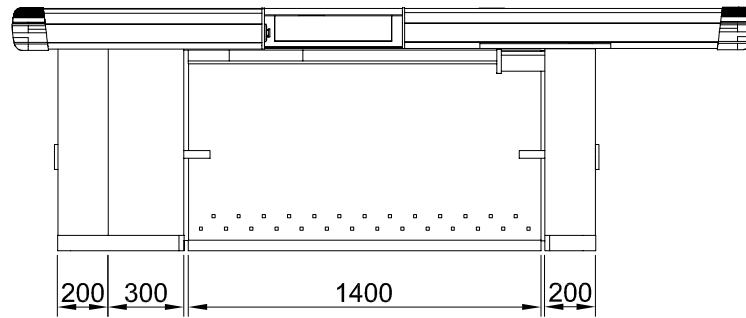
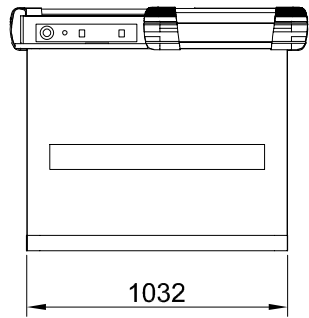




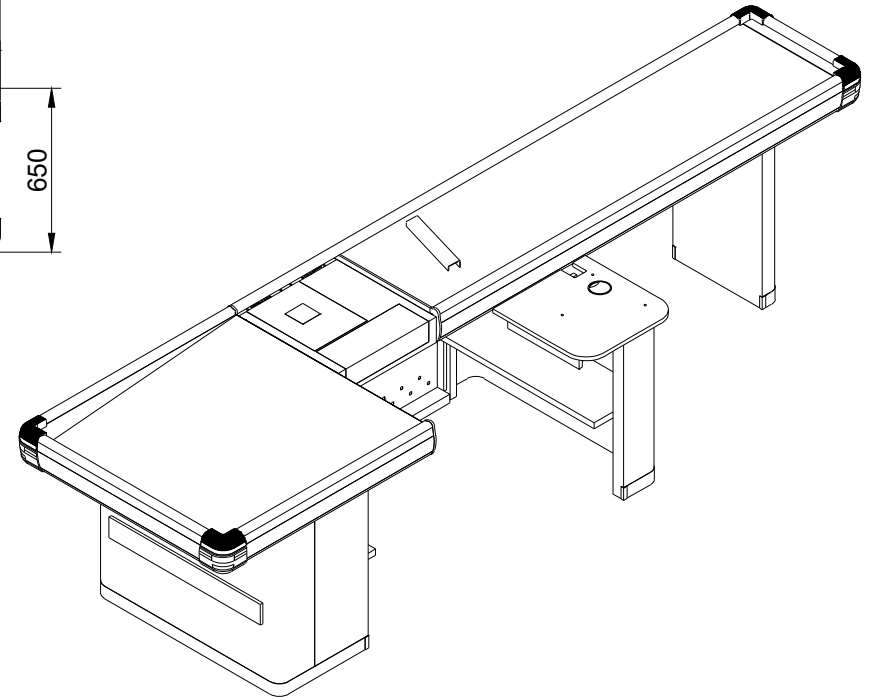
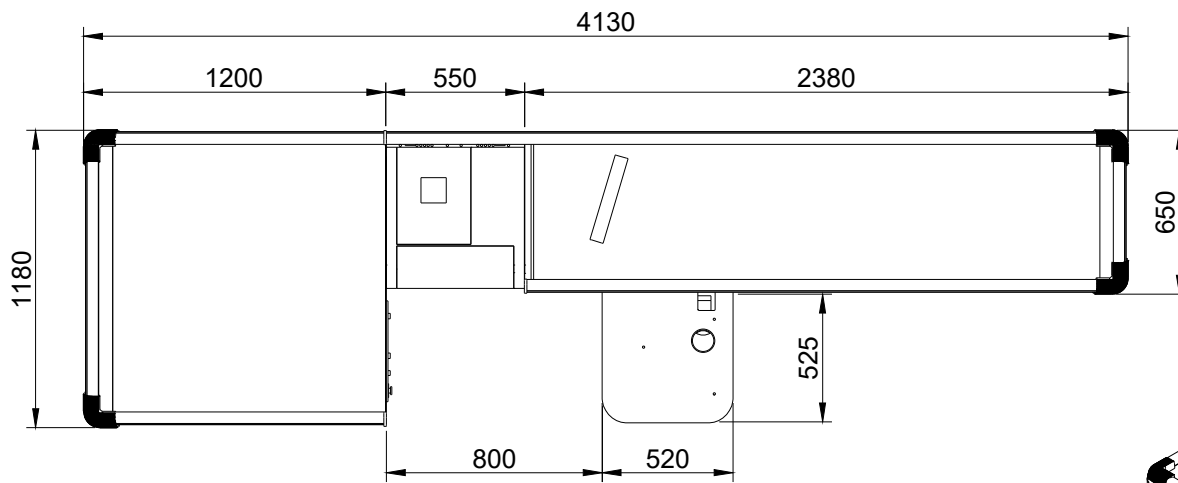
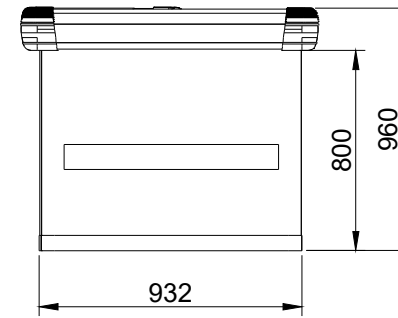
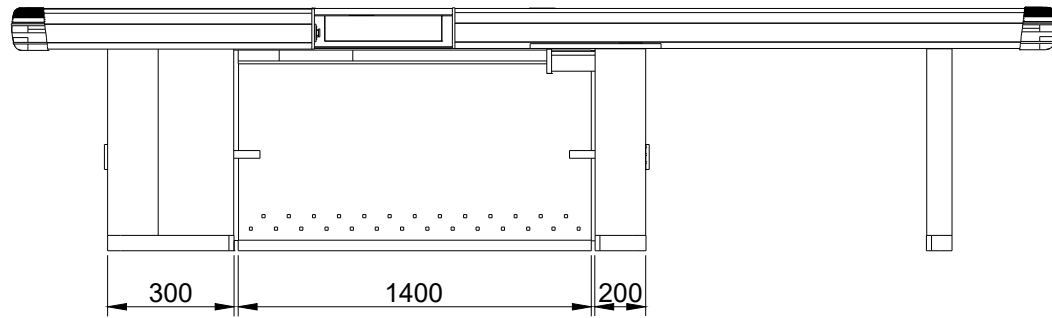
TÍTULO Y REFERENCIA MUEBLES CAJA ERGO 2230 DELANTERA 880_CUBA 800			 TORREJÓN DE ARDOZ (MADRID) C/Hierro, 27 Telfs: 91 675 14 34 - 91 677 10 92 Fax: 91 677 82 33 www.marsanz.es
DIRECCIÓN MADRID	FECHA 24/01/2022	Nº PLANO 1	
DIBUJADO POR ÁLVARO	T. COMERCIAL PILAR	ESCALA UNIDAD FORMATO	Nº OPCIÓN 1
<small>Estos planos son propiedad de CREACIONES MARSANZ S.A. siendo confidenciales para la parte a quien se confían, no debiendo reproducirse total ni parcialmente y, en ningún caso, utilizarse directa o indirectamente en perjuicio de CREACIONES MARSANZ S.A.</small>			



TÍTULO Y REFERENCIA MUEBLES CAJA ERGO 2530 DELANTERA 980_CUBA 1000			 TORREJÓN DE ARDOZ (MADRID) C/Hierro, 27 Telfs: 91 675 14 34 - 91 677 10 92 Fax: 91 677 82 33 www.marsanz.es
DIRECCIÓN MADRID	FECHA 24/01/2022	Nº PLANO 2	
DIBUJADO POR ÁLVARO	T. COMERCIAL PILAR	ESCALA UNIDAD FORMATO	Nº OPCIÓN 1
<small>Estos planos son propiedad de CREACIONES MARSANZ S.A. siendo confidenciales para la parte a quien se confían, no debiendo reproducirse total ni parcialmente y, en ningún caso, utilizarse directa o indirectamente en perjuicio de CREACIONES MARSANZ S.A.</small>			



TÍTULO Y REFERENCIA MUEBLES CAJA ERGO 2930 DELANTERA 1380_CUBA 1000				 TORREJÓN DE ARDOZ (MADRID) C/Hierro, 27 Telfs: 91 675 14 34 - 91 677 10 92 Fax: 91 677 82 33 www.marsanz.es
DIRECCIÓN MADRID		FECHA 24/01/2022	Nº PLANO 3	
DIBUJADO POR ÁLVARO	T. COMERCIAL PILAR	ESCALA UNIDAD FORMATO	Nº OPCIÓN 1	Estos planos son propiedad de CREACIONES MARSANZ S.A. siendo confidenciales para la parte a quien se confían, no debiendo reproducirse total ni parcialmente y, en ningún caso, utilizarse directa o indirectamente en perjuicio de CREACIONES MARSANZ S.A.



TÍTULO Y REFERENCIA MUEBLES CAJA ERGO 4130 DELANTERA 2380_CUBA 1200				 TORREJÓN DE ARDOZ (MADRID) C/Hierro, 27 Telfs: 91 675 14 34 - 91 677 10 92 Fax: 91 677 82 33 www.marsanz.es
DIRECCIÓN MADRID		FECHA 24/01/2022	Nº PLANO 4	
DIBUJADO POR ÁLVARO	T. COMERCIAL PILAR	ESCALA UNIDAD FORMATO	Nº OPCIÓN 1	<small>Estos planos son propiedad de CREACIONES MARSANZ S.A. siendo confidenciales para la parte a quien se confían, no debiendo reproducirse total ni parcialmente y, en ningún caso, utilizarse directa o indirectamente en perjuicio de CREACIONES MARSANZ S.A.</small>

CHECK OUT
SERIE A 1,50 m



 Marsanz

Propiedad de MARSANZ - PRIVILEGED AND CONFIDENTIAL Estas imágenes no son contractuales, son propiedad exclusiva de Creaciones Marsanz y no se pueden utilizar sin su autorización.

CHECK-OUT INNOVA
MODELO 1850



CHECK-OUT INNOVA
MODELO RECTO 3030



MUEBLE CAJA
INNOVA 3230 CUBA



 **Marsanz**

CHECK-OUT
MODELO INNOVA

