

Product:  
1500 mm LIGHT ONLINE TROLLEY  
Code: COLL150/03-3F

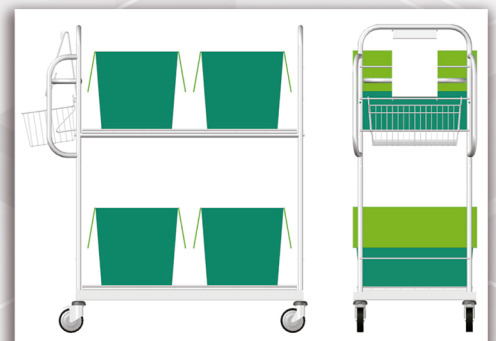
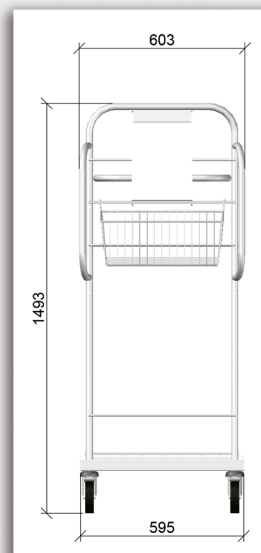
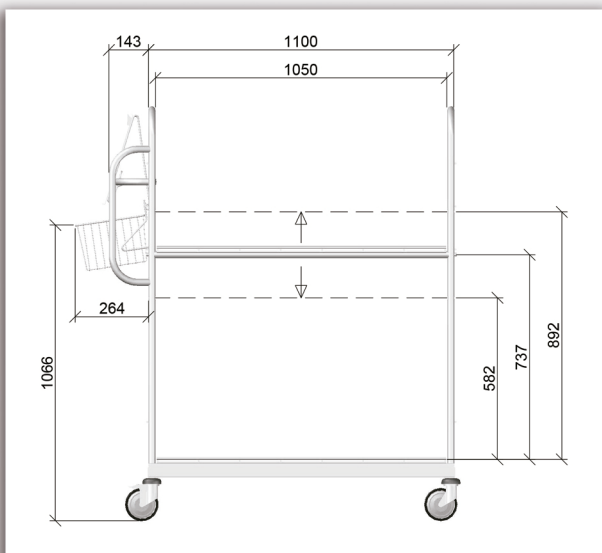
R-125



R-125F



- 4 Ø125 swivel wheels (2 WITH BRAKE)
- CARRIAGE WEIGHT: 31 KG (WITHOUT ACCESSORIES)
- CAPACITY FOR: 4 BOXES 600x400x400 AT 2 HEIGHTS
- MAX. LOAD TROLLEY: 200 kg / 150 kg base + 50 kg shelf



\* OPTIONAL ACCESSORIES: ONLINE TROLLEY BASKET Code: CCOL - DELIVERY NOTES HOLDER Code: PACS

These documents are the property of CREACIONES MARSANZ and are subject to the condition on which they were forwarded. They may not be reproduced in whole or in part if they are used directly or indirectly to the detriment of CREACIONES MARSANZ.