

Product :  
 MULTIFUNCTION TROLLEY 620  
 Code: CMF62003 / CMF62008

## Technical Data

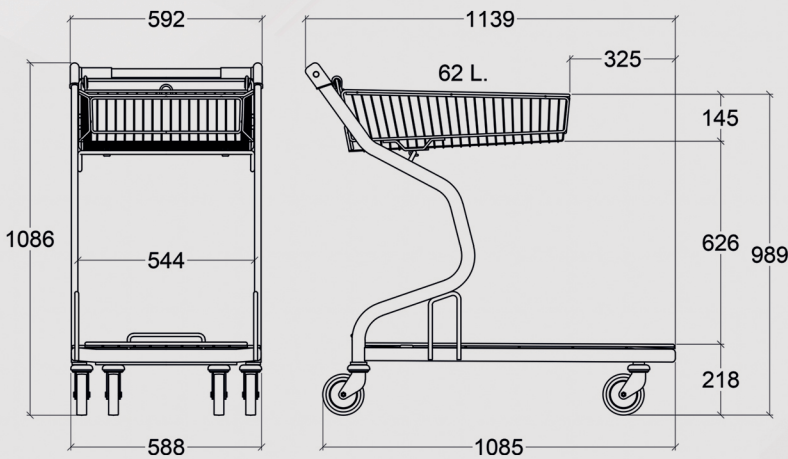
W-125 (3)  
 STANDARD CASTOR



W-125  
 TRAVELATOR CASTOR



Rear Basket (Optional) : CCMF620



Baby seat (Optional): RBDFFDC

Net Weight: 24,4 kg  
 Maximum loading Capacity: 250 kg  
 Basket - Maximum loading Capacity: 50 kg  
 Platform - Maximum loading Capacity: 200 kg

