

Product :
 MULTIFUNCTION TROLLEY 620
 Code: CMF62003 / CMF62008

Technical Data

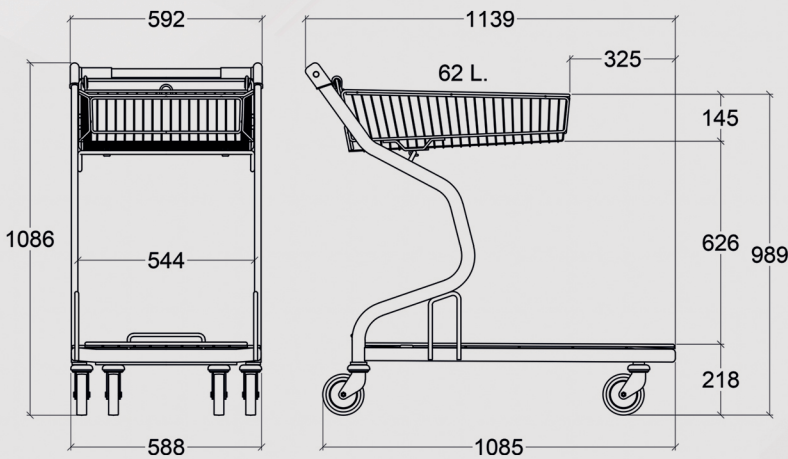
W-125 (3)
 STANDARD CASTOR



W-125
 TRAVELATOR CASTOR



Rear Basket (Optional) : CCMF620



Baby seat (Optional): RBDFDC

Net Weight: 24,4 kg
 Maximum loading Capacity: 250 kg
 Basket - Maximum loading Capacity: 50 kg
 Platform - Maximum loading Capacity: 200 kg

