

PROtection SYStems Catalog



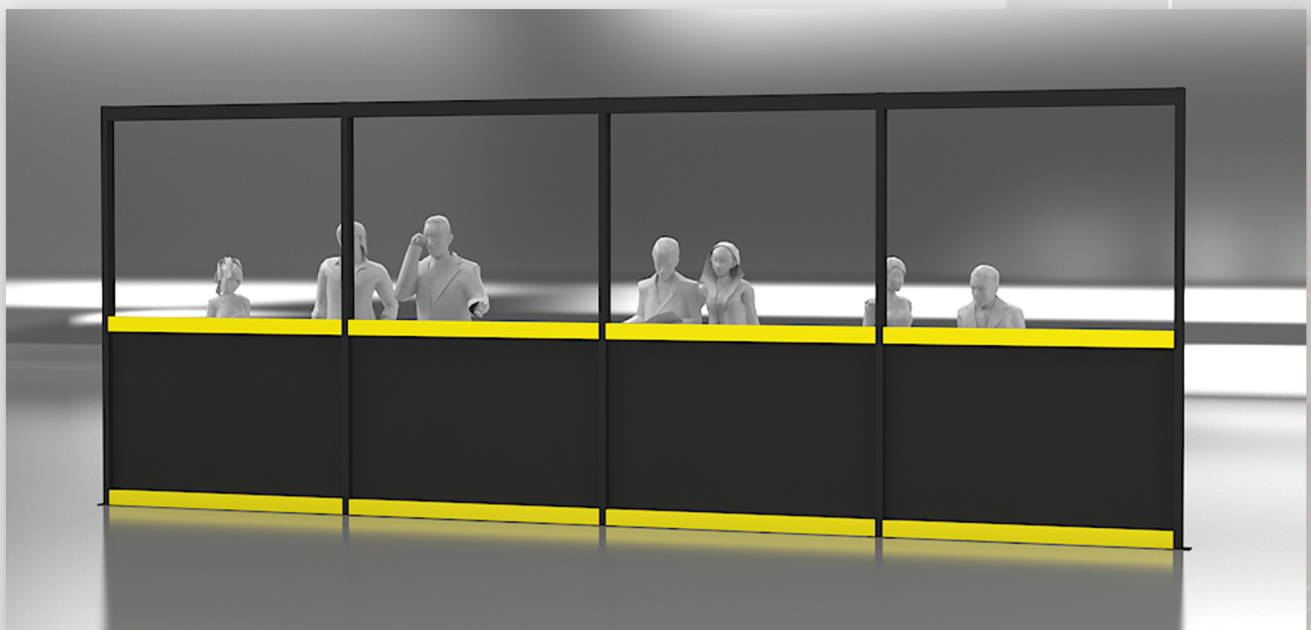
Modulable tubular
estructure

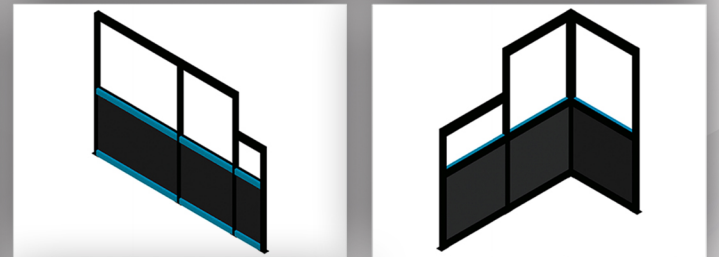
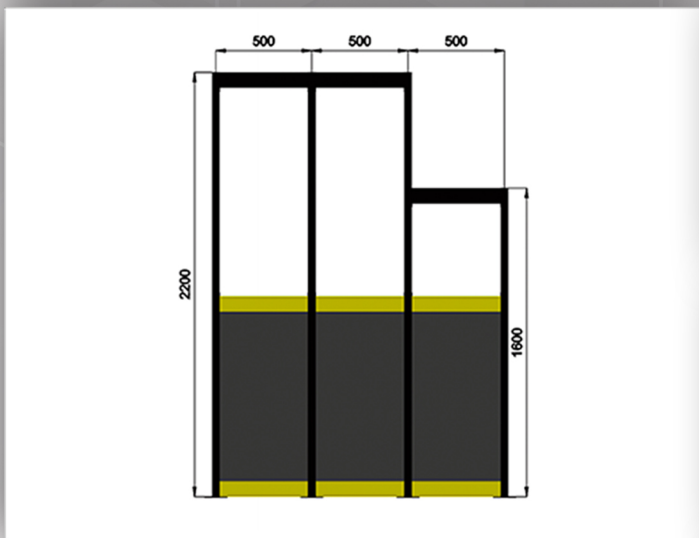
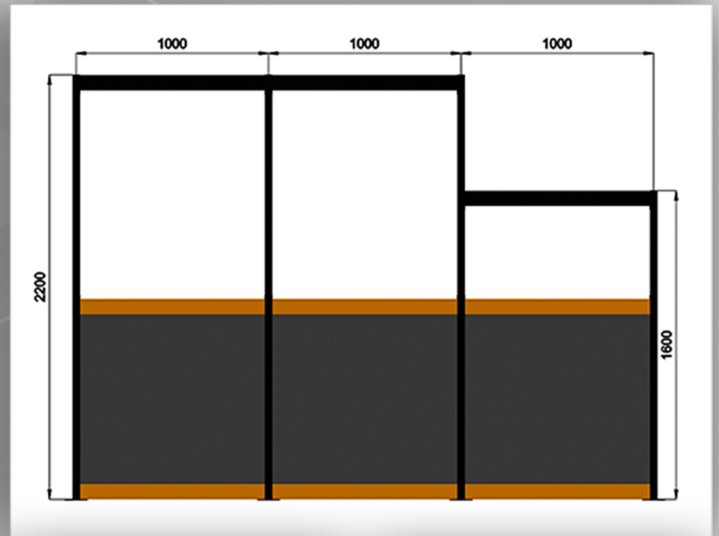
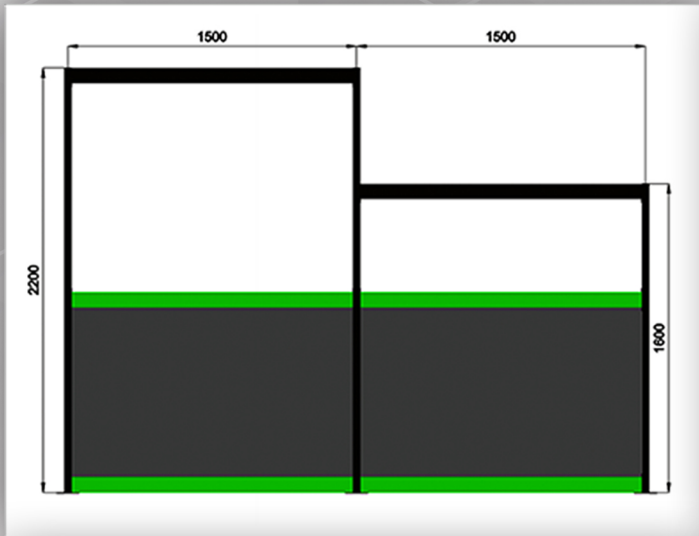
Fiting by
gravity glas

Smooth black
color structure

Your own
profile colour

Company name / Logo area





* PANELS COMBINABLE WITH EACH OTHER.

* POSSIBILITY OF ANGLES OF 90° AND 270°

* LAMINAR GLASS 3+3

* MEASUREMENTS:

220cm x 150cm

220cm x 100cm

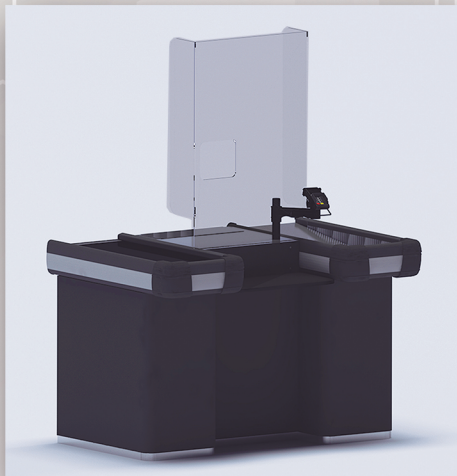
220cm x 50cm

160cm x 150cm

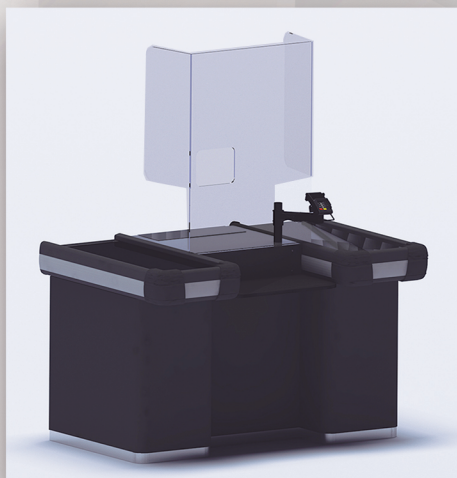
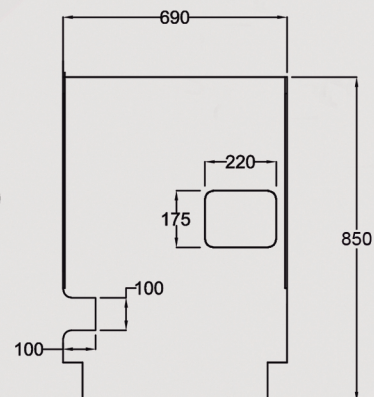
160cm x 100cm



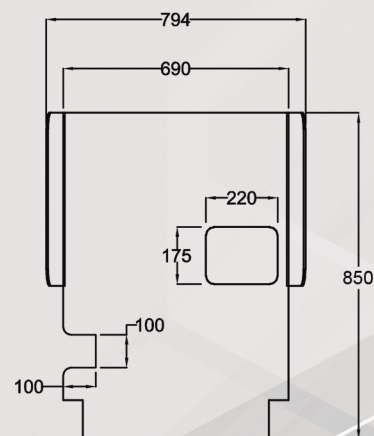
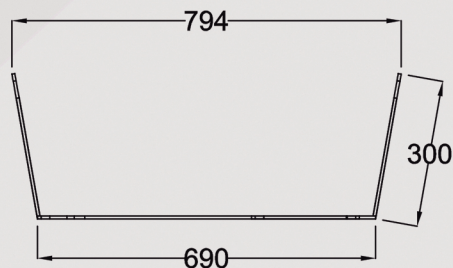
Sispro Cescin



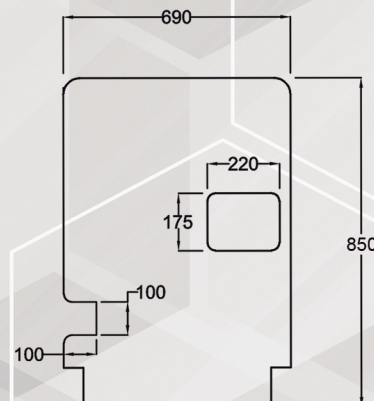
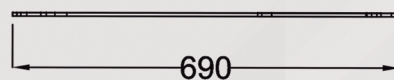
SISPRO STRAIGHT CESCIN
COD: SMCR8569



SISPRO ANGLE CESCIN
COD: SMCA8569

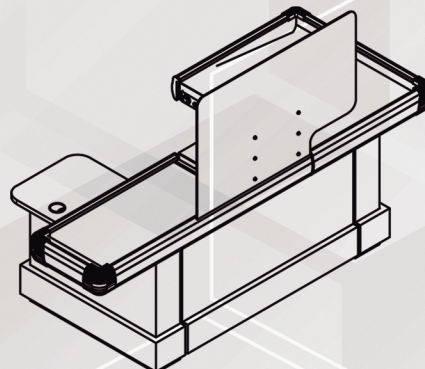
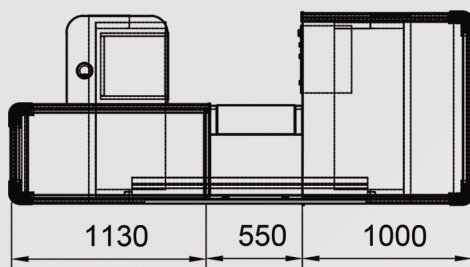
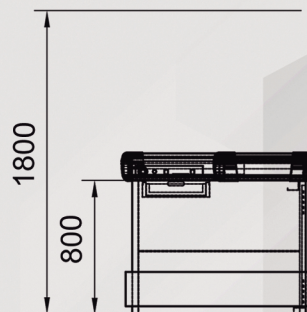
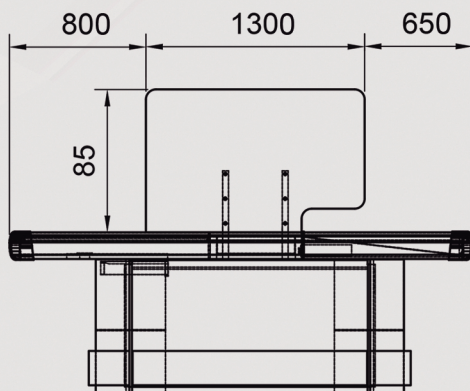
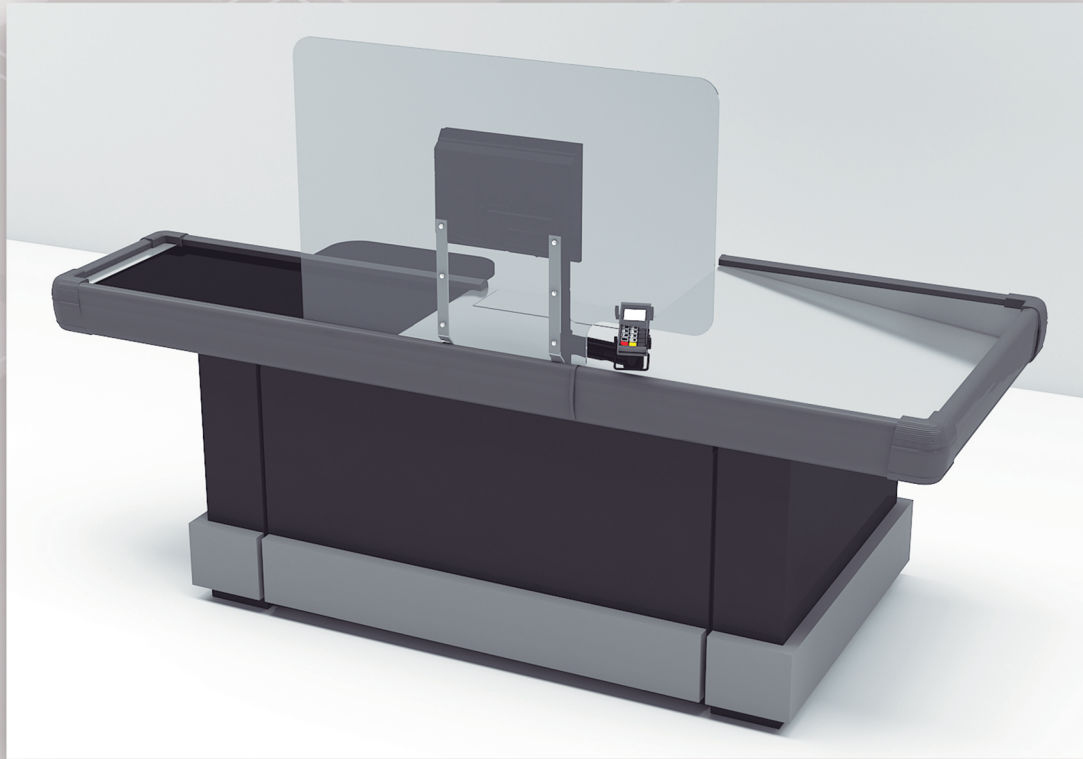


SISPRO SIMPLE CESCIN
COD: SMCS8569

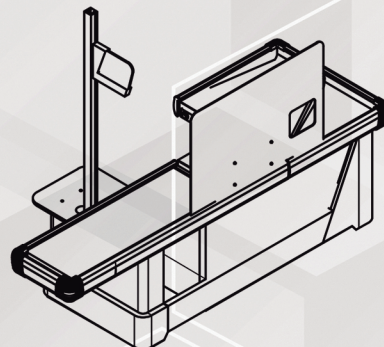
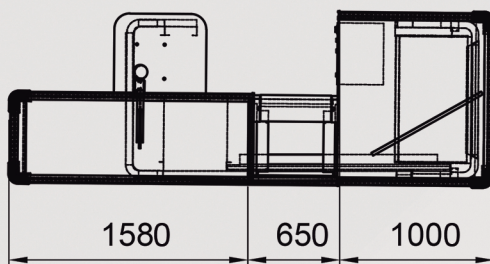
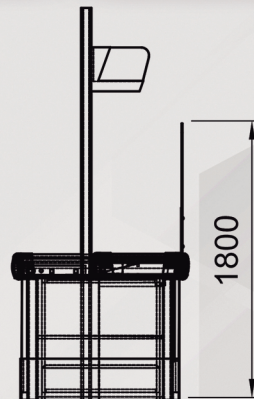
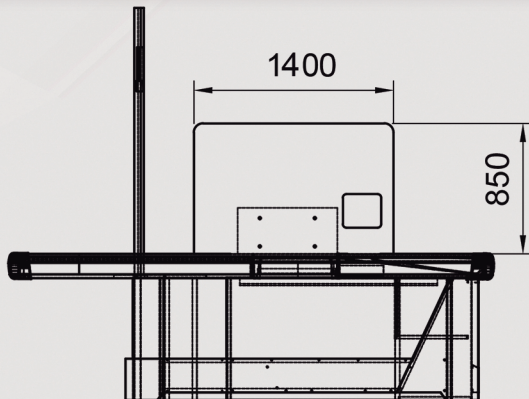
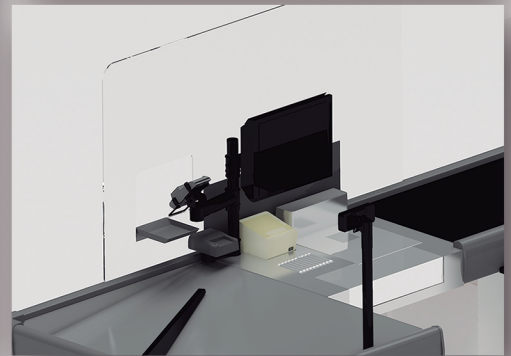


Sispro Deco

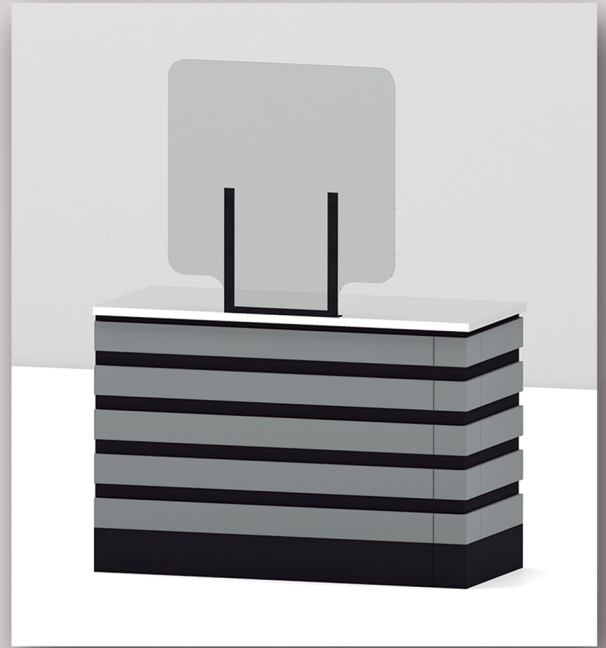
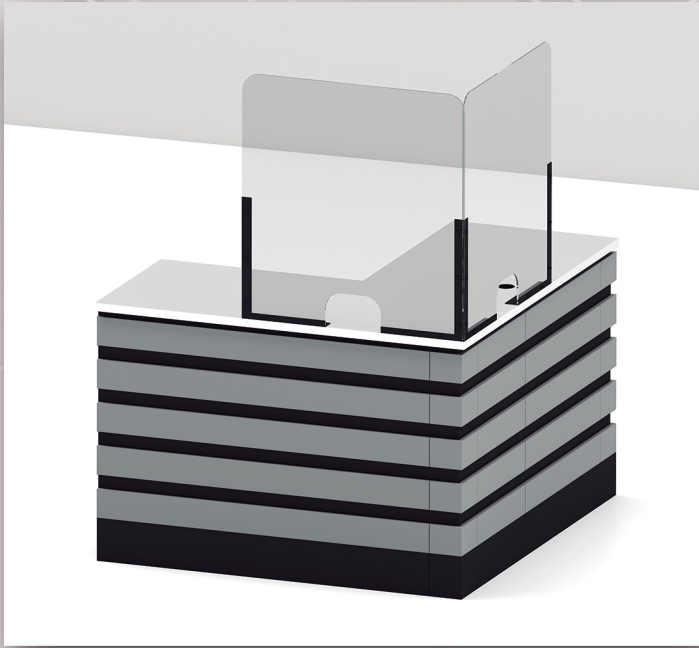
COD: SMD13085 COD:SMD13085C



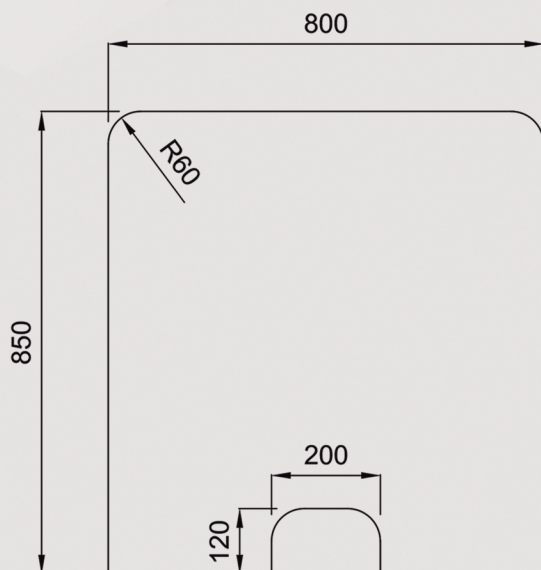
Sispro Innova COD: SMIN14085



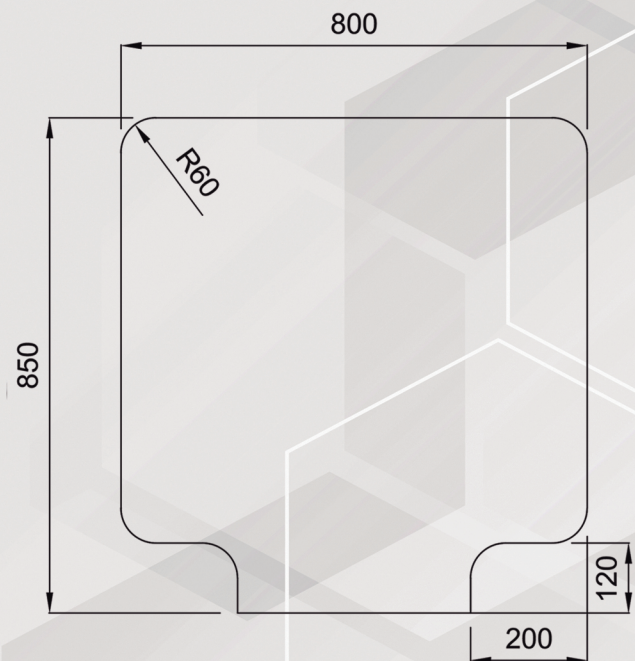
Sispro Counter



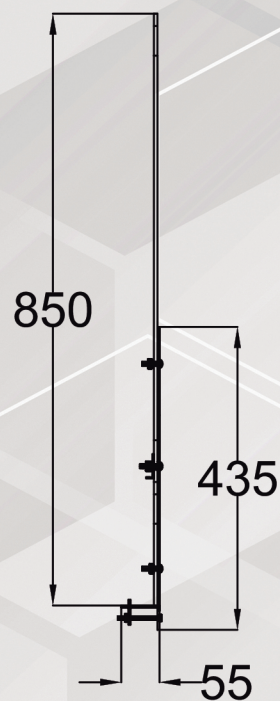
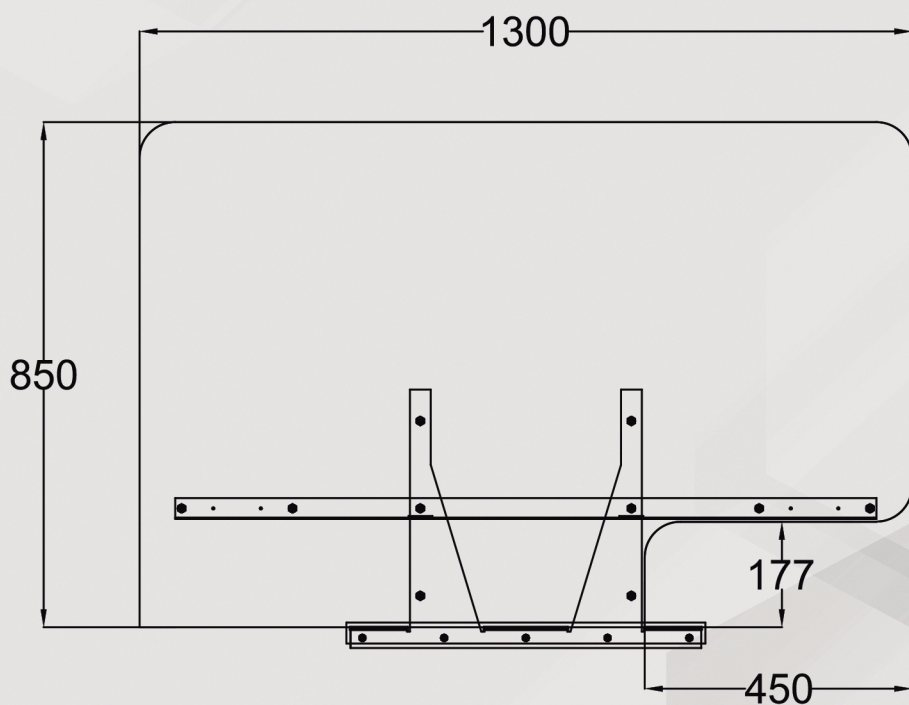
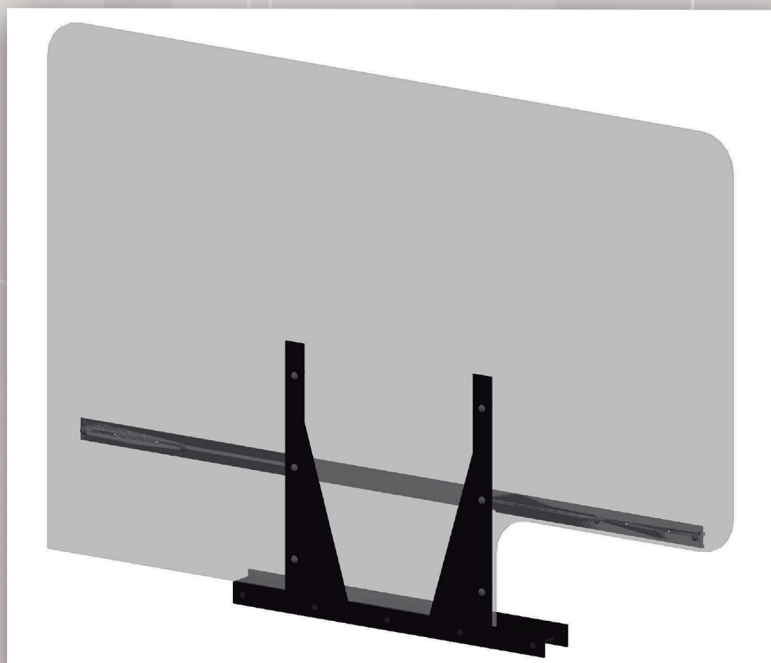
COD: SMMV8550



COD: SMM8550

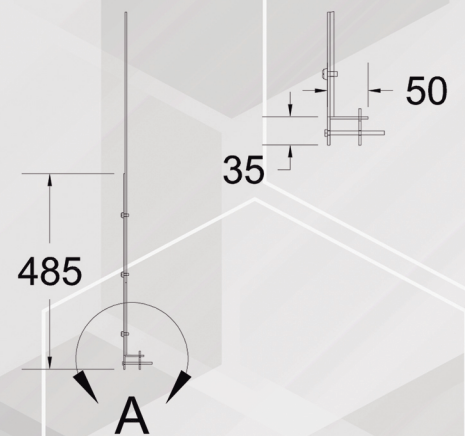
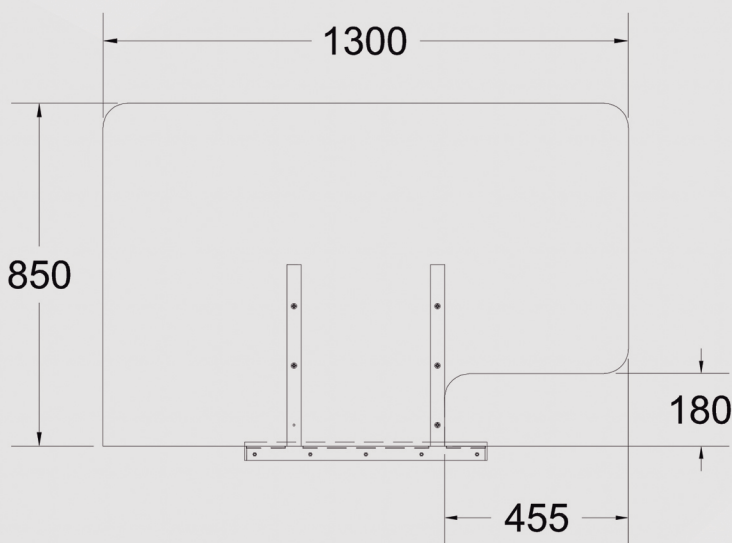
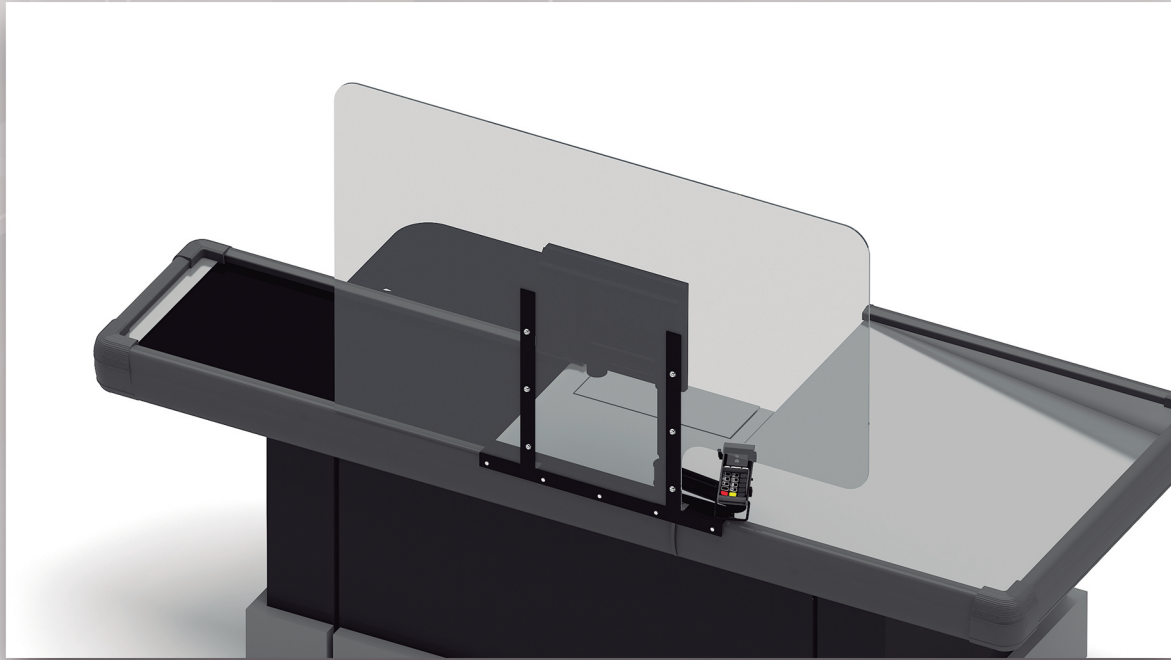


SISPRO UNIVERSAL METHACRYLATE 130X85
COD: SMUA13085



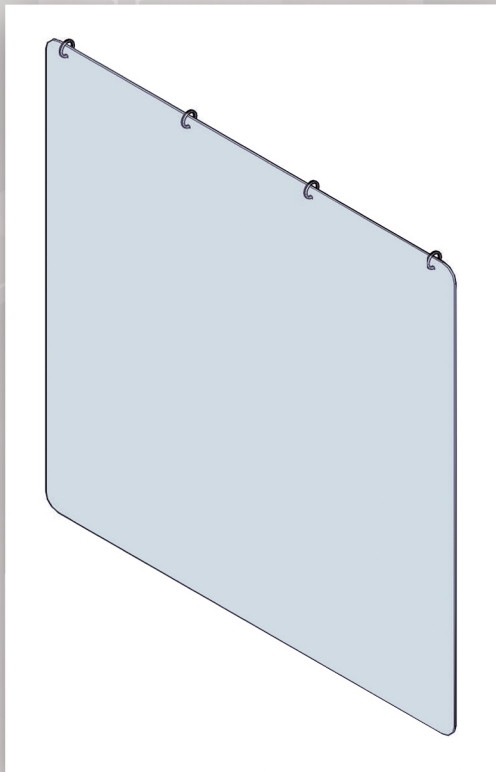
Universal Adaptive Protection System

COD: SUPASIS

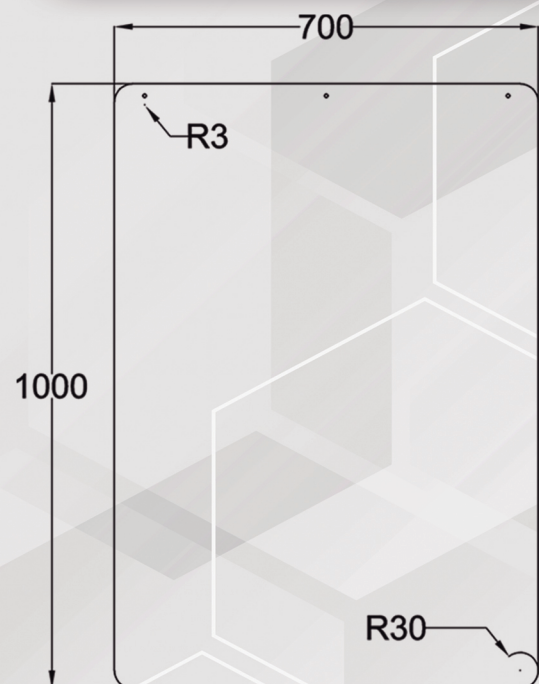
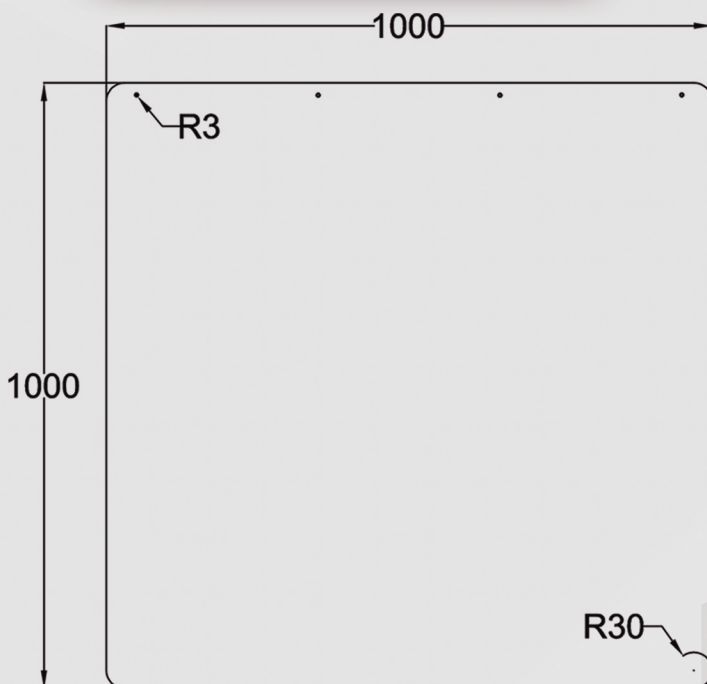
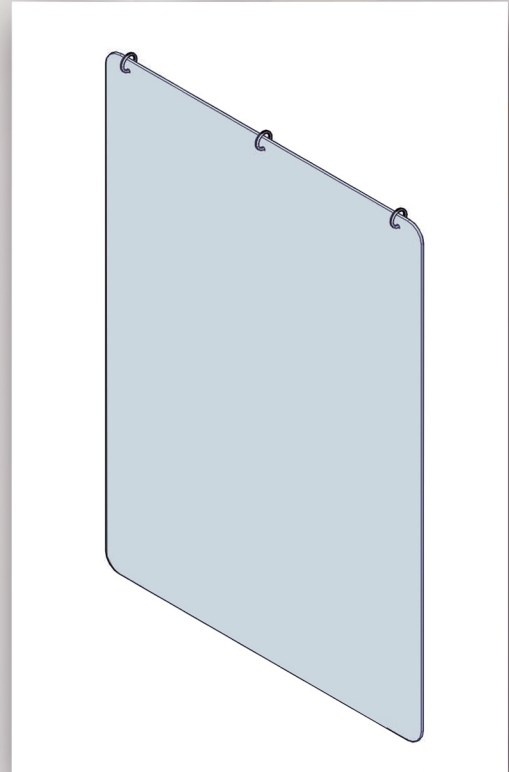


Sispro Ceiling Screen

COD: SMT100100

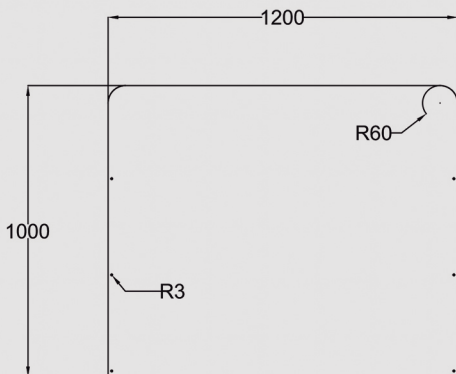
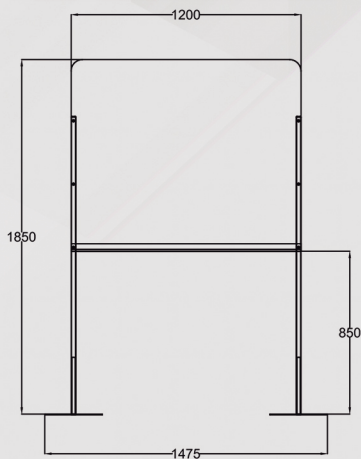
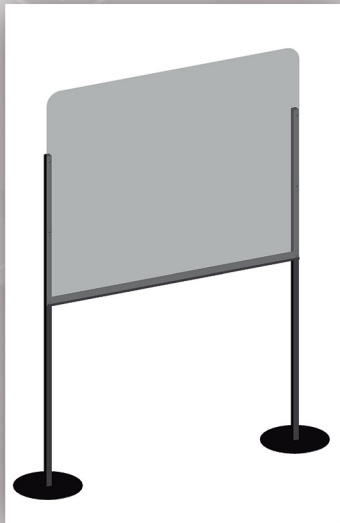


COD: SMT10070

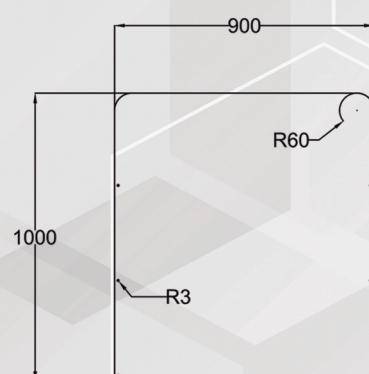
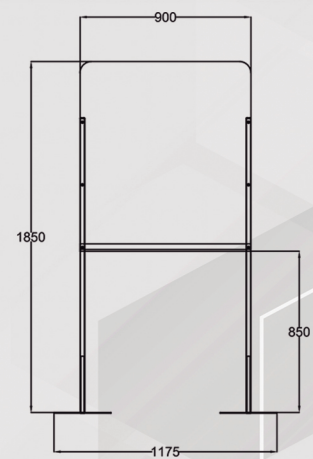
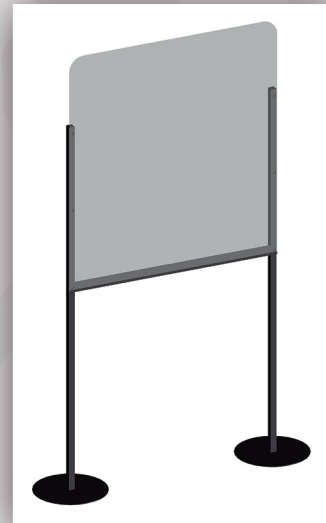


Sispro Mobile Screen

COD: SMM185120



COD: SMM18590



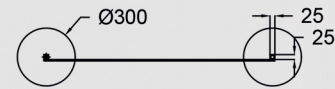
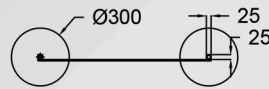
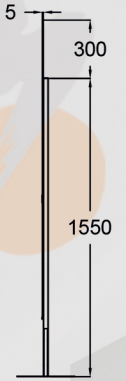
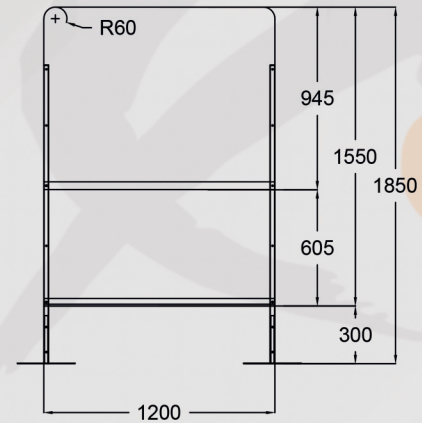
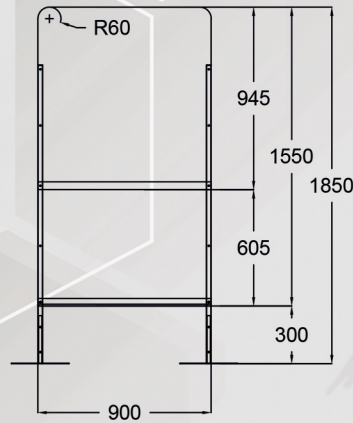
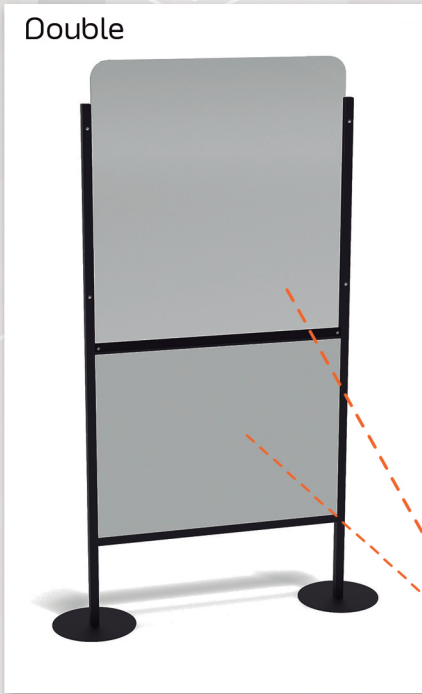
25 x 25 mm Square Tube - 5 mm Methacrylate

Sispro Mobile Double Screen

COD: SMMD185120

Double

Double

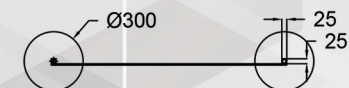
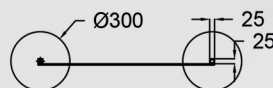
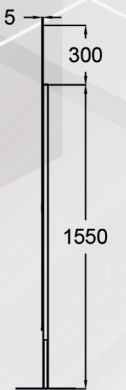
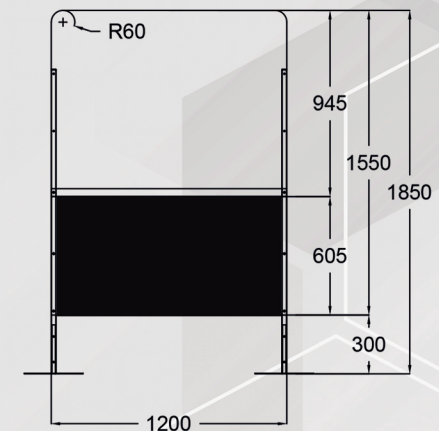
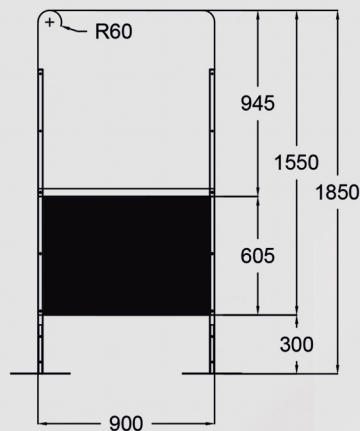
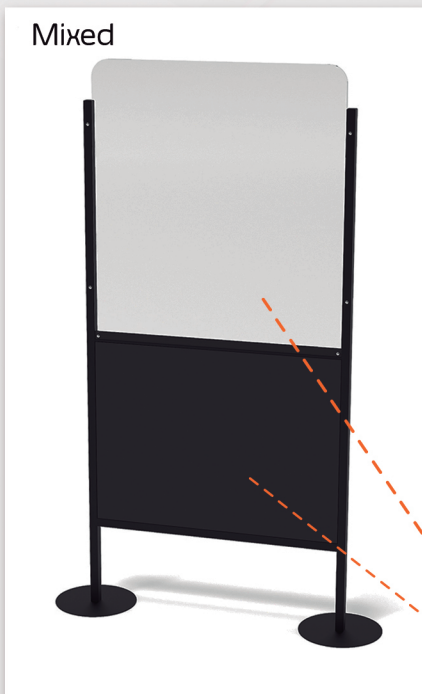


Double Methacrylate

COD: SMMM18590

Mixed

Mixed



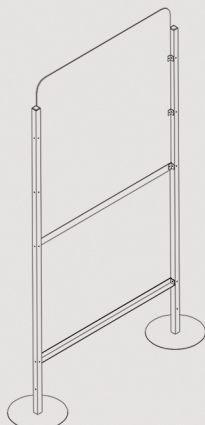
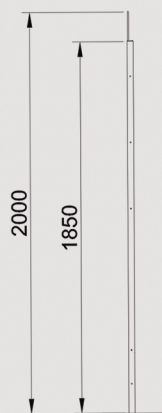
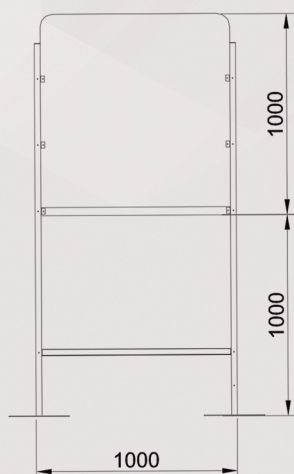
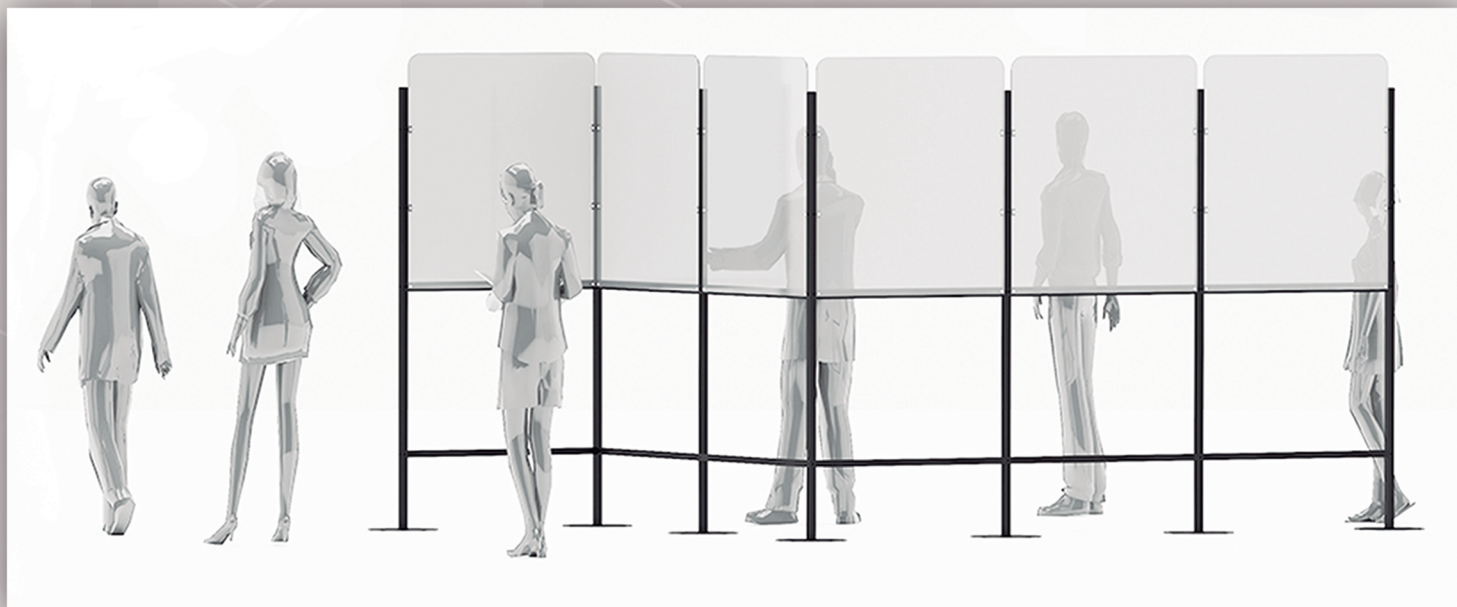
Methacrylate
Metal epoxy panel

25 x 25mm Square Tube - 5mm Methacrylate

Sispro Mobile Modular Partition System

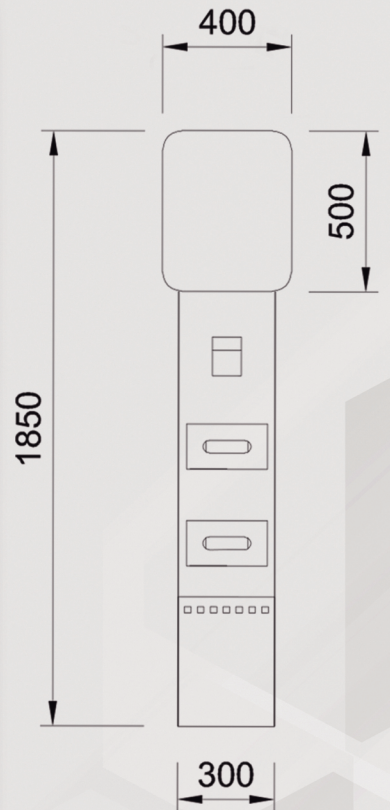
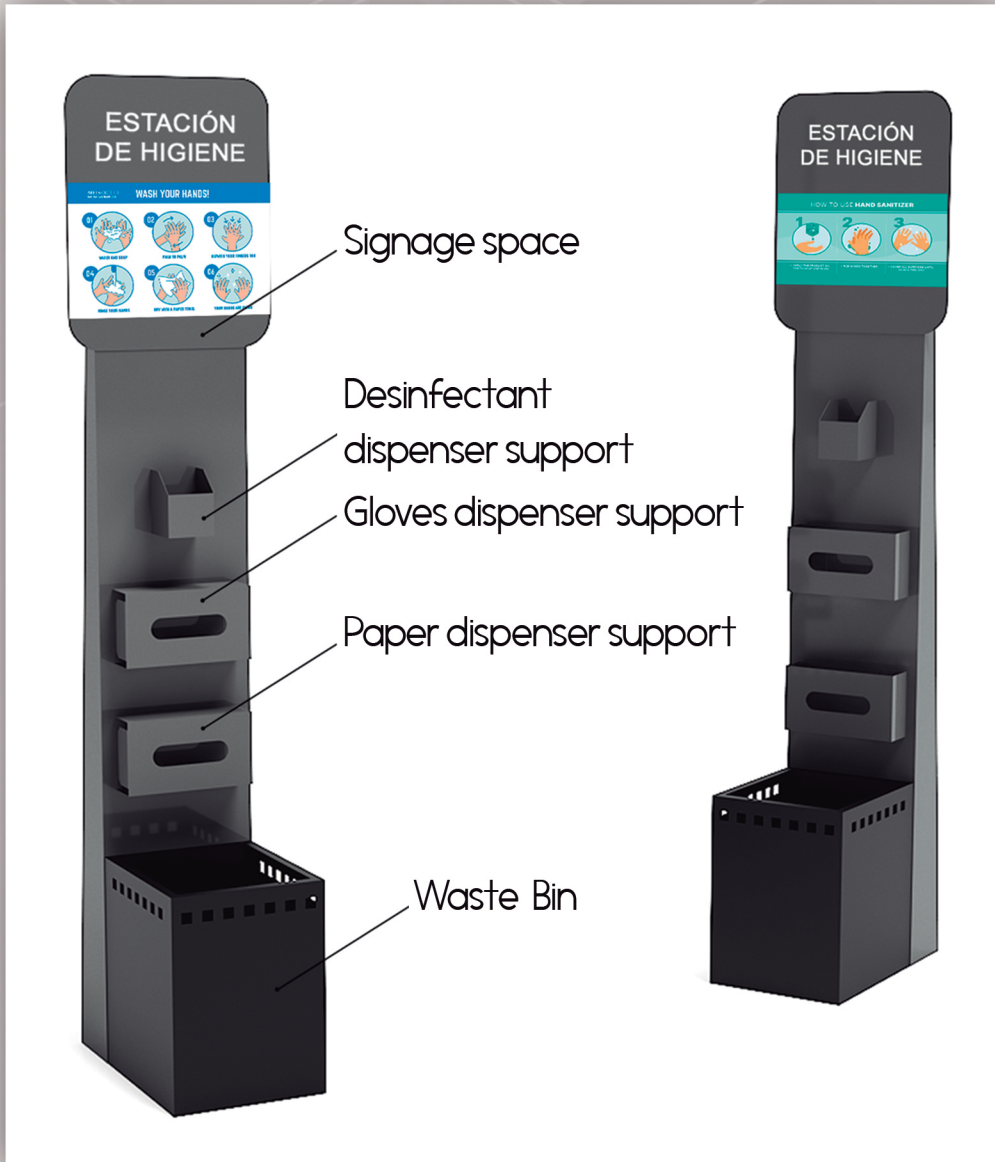
COD: SMMM200100

COD: SMMM200100S



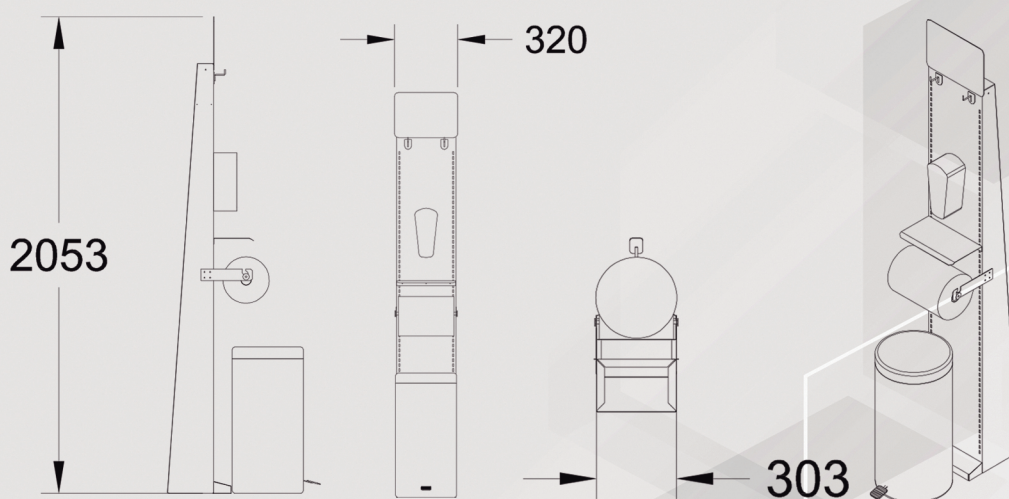
Hygienic Station

COD: EHG



Hygiene Convertible Station

COD: EHGAH

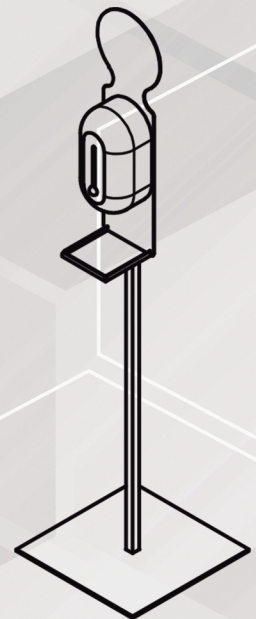
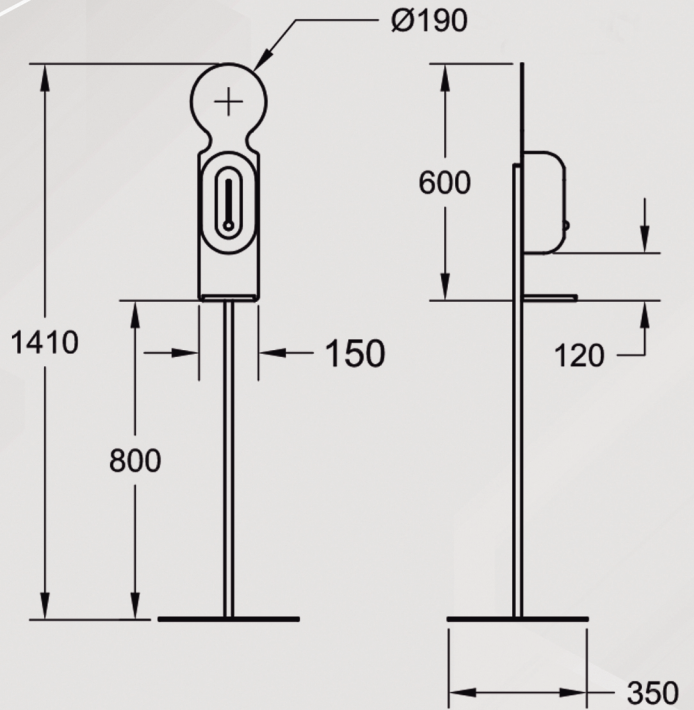
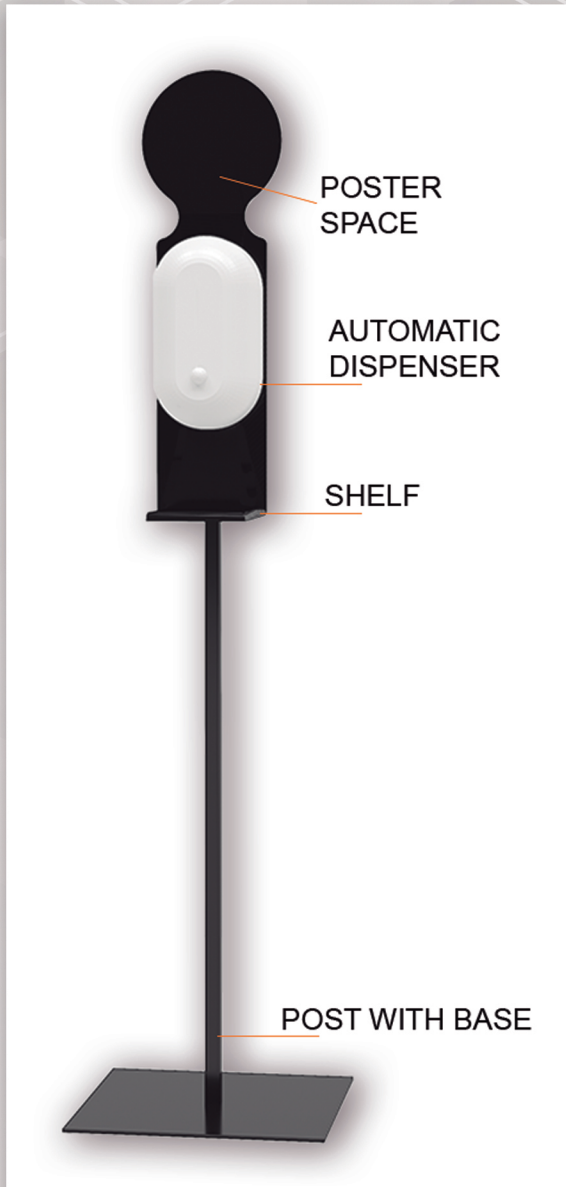


Accessories:

- | | |
|----------|---|
| PPAI30 | 30L STAINLESS STEEL BIN WITH FOOT PEDAL |
| DAHC2020 | AUTOMATIC DISPENSER HC2020 (BATTERIES INCLUDED) |
| RDHC2020 | 1 L. HYDROALCOHOLIC GEL REFILL FOR DISPENSER HC2020 |
| IEHGA4 | A4 SIZE MAGNET FOR HYGIENE STATION |

Basic Hygiene Station

COD: EHGHB



Sispro Pole In

SISPRO POLE WITH 3 m RETRACTABLE TAPE. COD: SPIXCE3



Stainless steel pole with retractable tape available in 3 meters in length, 3-way hitches. The belt incorporates a braking system, for the safety of users. Height 92 cm. Base diameter 32 cm., Weight mounted post: 6.8 kg.

Sispro PoLe

EXTENSIBLE SISPRO POLE -BELT 3 m. COD: SPCE3

EXTENSIBLE SISPRO POLE -BELT 2 m. COD: SPCE2



Black steel pole 2 and 3 m. length with black retractable tape.

Three-way ucots tape with braking system.

Height: 95 cm. Base: 36 cm. weight: 9 kg.

Sispro Vinil Counter COD: SV

keep a safe distance

Safety floor vinyl, 50mmwide x 1000wide signage .

keep a safe distance



SEDE SOCIAL
HEADQUARTERS

CALLE HIERRO, 27
28850 TORREJON DE ARDOZ
MADRID
ESPAÑA - SPAIN

TEL.: (34) 91 675 14 34 // (34) 91 677 10 92
FAX.: (34) 91 675 12 90
E-MAIL.: creaciones@marsanz.es

PLANTAS DE FABRICACION
PRODUCTION FACILITIES

TORREJON DE ARDOZ (MADRID)
UGENA (TOLEDO)

INTERNACIONAL
INTERNATIONAL

EXPORT DIVISION

E-MAIL.: export@marsanz.es

