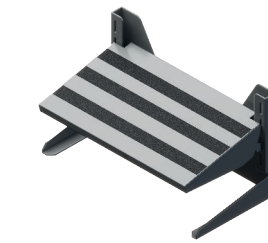
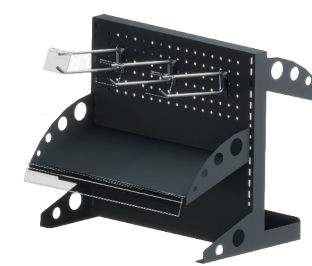


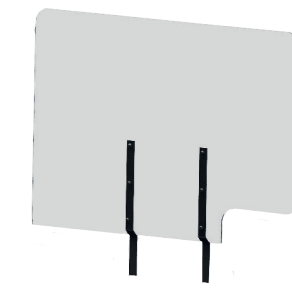
DECO LINE  
ACCESSORIES



**CÓD. RPPR**  
Height adjustable footrest.



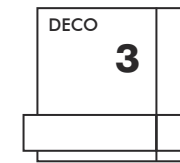
**CÓD. MASD416450**  
Countertop front check-out module.



**CÓD. CMD13085P**  
Methacrylate Deco code. SMD13085.



**CÓD. INRL2F**  
Multifunctional indicator.  
Pole Code PININ  
Extensión pole code. EPININ



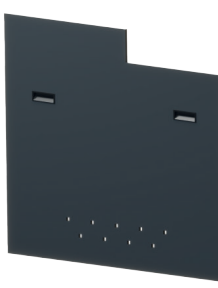
**CÓD. \*Customizable**



**CÓD. TVCJ**  
Customer display pole.



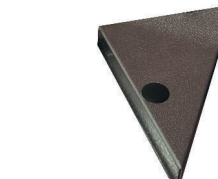
**CÓD. CSMMCDEX**  
Methacrylate with support.  
Methacrylate 690x850  
code. SMMCDEX



**CÓD. PPDMCED**  
Inner cover.  
Front module.



**CÓD. SEPEG**  
Next customer bar.



**CÓD. DESPEG**  
Product deviator.

- High quality steel and coatings.
- Ergonomic and functional according to standards.
- Adaptation to any computer peripheral.
- Adapted design to new market trends.
- Wide color range and configuration.
- Entirely built by Marsanz.



**SEDE SOCIAL - HEAD OFFICE**  
Calle Hierro, 27  
28850 Torrejón de Ardoz  
MADRID, ESPAÑA - SPAIN  
TEL: 91 675 14 34 / (34) 91 677 10 92  
creaciones@marsanz.es

**INTERNACIONAL**  
**INTERNATIONAL**  
**EXPORT DIVISION**  
export@marsanz.es

**FRANCIA - FRANCE**  
MARSANZ FRANCE SAS  
TEL: +33 (0) 1 30 88 82 95  
info@marsanz.fr  
www.marsanz.fr

**REINO UNIDO**  
**UNITED KINGDOM**  
MARSANZ UK Ltd.  
TEL: +44 (0) 16 18 81 85 15  
info@marsanz.co.uk

**DELEGACIÓN CANARIAS**  
TEL: 683 22 33 06  
arturobadillo@marsanz.es

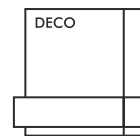
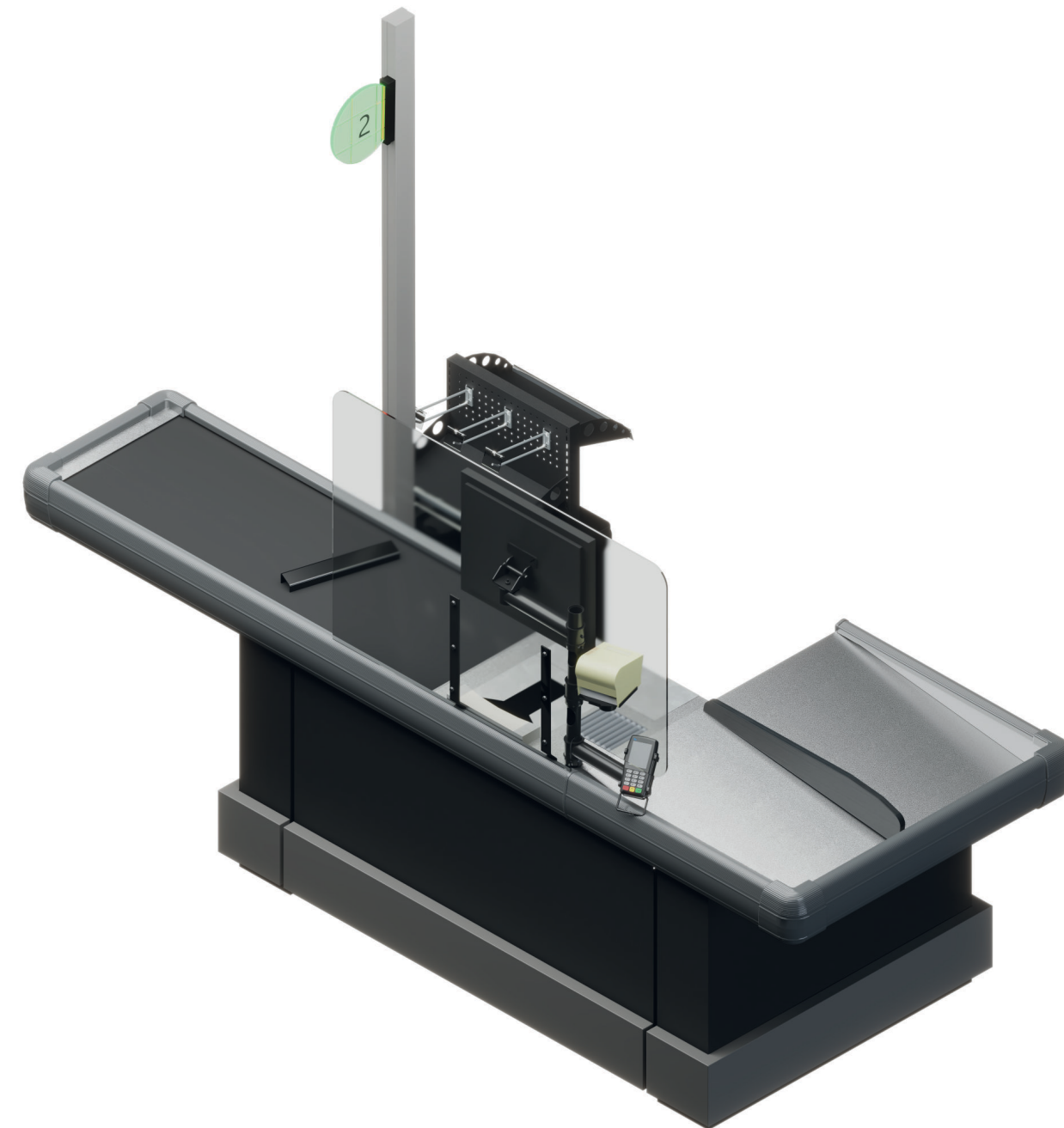
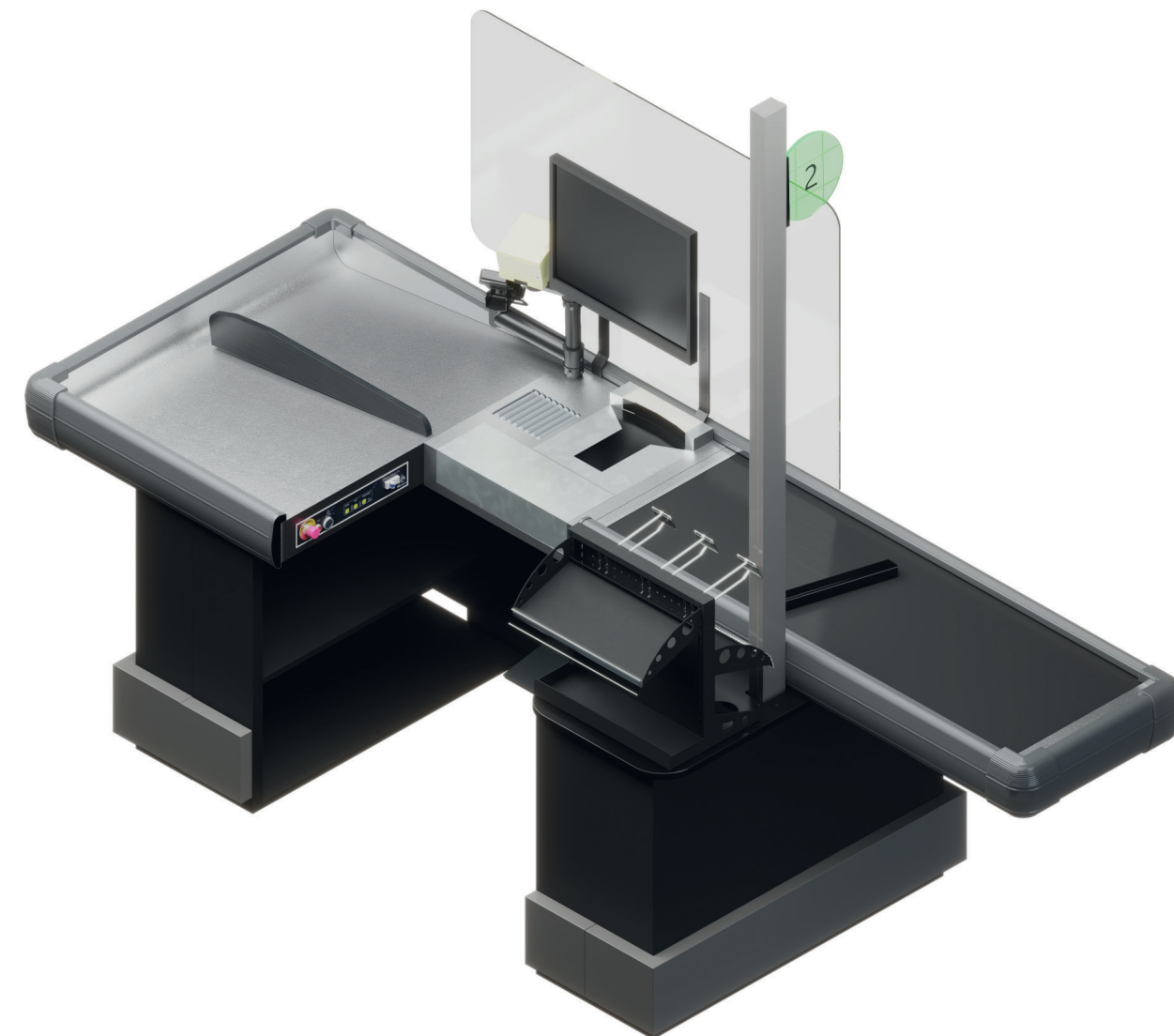
**DELEGACIONES EN LA PENINSULA IBÉRICA**  
**BRANCHES IN THE IBERIAN PENINSULA**  
**DELEGACIÓN CATALUÑA - BARCELONA**  
POLIGONO INDUSTRIAL MOLI D'EN XECH  
Calle Barneda, Nº 17 nave 25  
Frente Rio Ripoll  
08291-RIPOLLET  
TEL: 93 231 34 75  
Barcelona@marsanz.es

**DELEGACIÓN ANDALUCÍA - SEVILLA**  
AVDA. DEL PARSÍ  
POL.IND. MINI PARSÍ, NAVE 9  
41016 SEVILLA  
TEL: 95 451 12 45  
andalucia@marsanz.es

**DELEGACIÓN ZONA NORTE**  
**SANTANDER**  
TEL: 616 430 896  
luiselola@marsanz.es

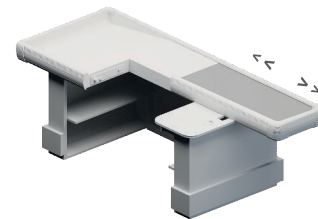
**DELEGACIÓN LEVANTE - ALICANTE**  
C/ CAMPELLO, 13  
POL. IND. LA CALA  
03509 FINESTRAT - ALICANTE  
TEL: 96 680 27 04  
levante@marsanz.es

**DELEGACIÓN PORTUGAL**  
TEL: 683 248 010  
ruibeco@marsanz.es



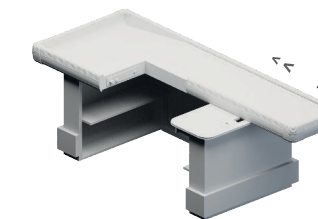
DECO LINE  
FRONT MODULE

D1



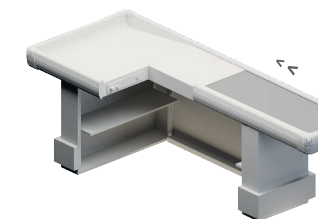
**WITH CONVEYOR BELT**  
< 1530 - 1730 - 1930 >  
2130 - 2330 - 2530  
2730

D2



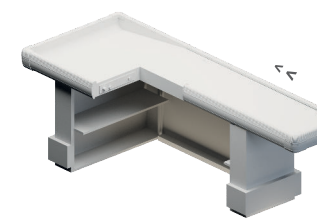
**WITHOUT CONVEYOR BELT**  
< 1530 - 1730 - 1930 >

D3

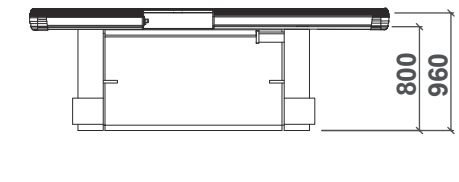
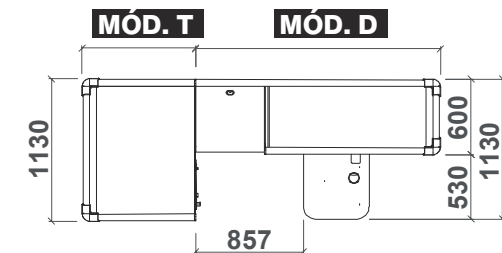


**WITH CONVEYOR BELT**  
< 1530 - 1730 - 1930 >  
2130 - 2330 - 2530  
2730

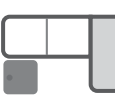
D4



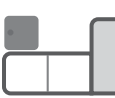
**WITHOUT CONVEYOR BELT**  
< 1530 - 1730 - 1930 >



LEFT

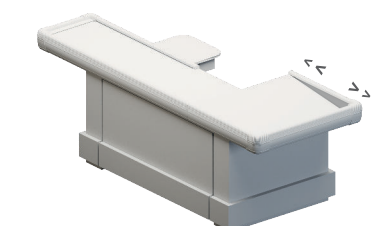


RIGHT



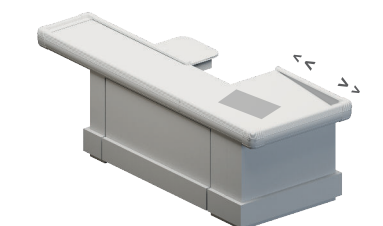
DECO LINE  
REAR MODULE

T1



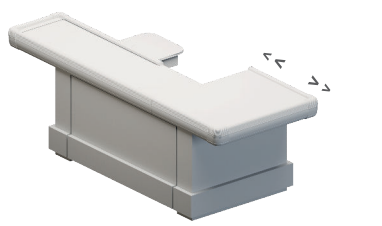
**WIDE REAR MODULES WITHOUT CONVEYOR BELT**  
< 500 - 700 - 900 >  
1000 - 1200 - 1400

T2



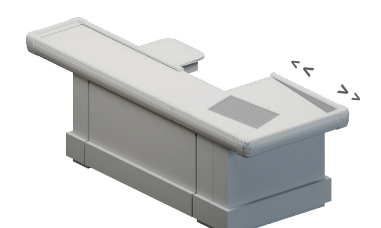
**WIDE REAR MODULES WITH CONVEYOR BELT**  
< 1200 - 1400 >

T3



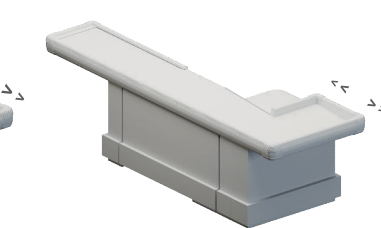
**WIDE PLAIN REAR MODULES WITHOUT CONVEYOR BELT**  
< 500 - 700 - 900 >  
1000 - 1200

T4



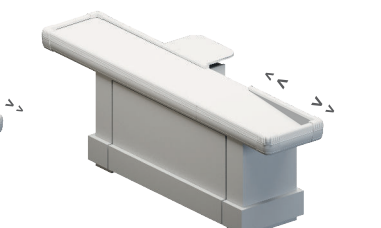
**WIDE REAR MODULES WITH ROLLER BAND**  
< 1000 - 1200 - 1400 >

T5



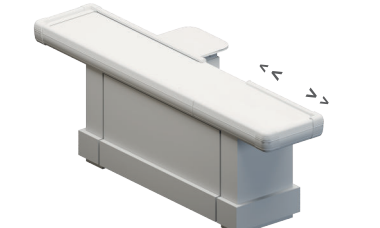
**WIDE REAR MODULES WITH "L" SHAPED**  
< 1400 >

T6



**STRAIGHT REAR MODULES WITHOUT CONVEYOR BELT**  
< 500 - 700 - 900 >  
1000 - 1200

T8



**STRAIGHT PLAIN MODULES WITHOUT CONVEYOR BELT**  
< 500 - 700 - 900 >  
1000 - 1200



OUR FULL LINE OF  
PRODUCTS AND ACCESSORIES



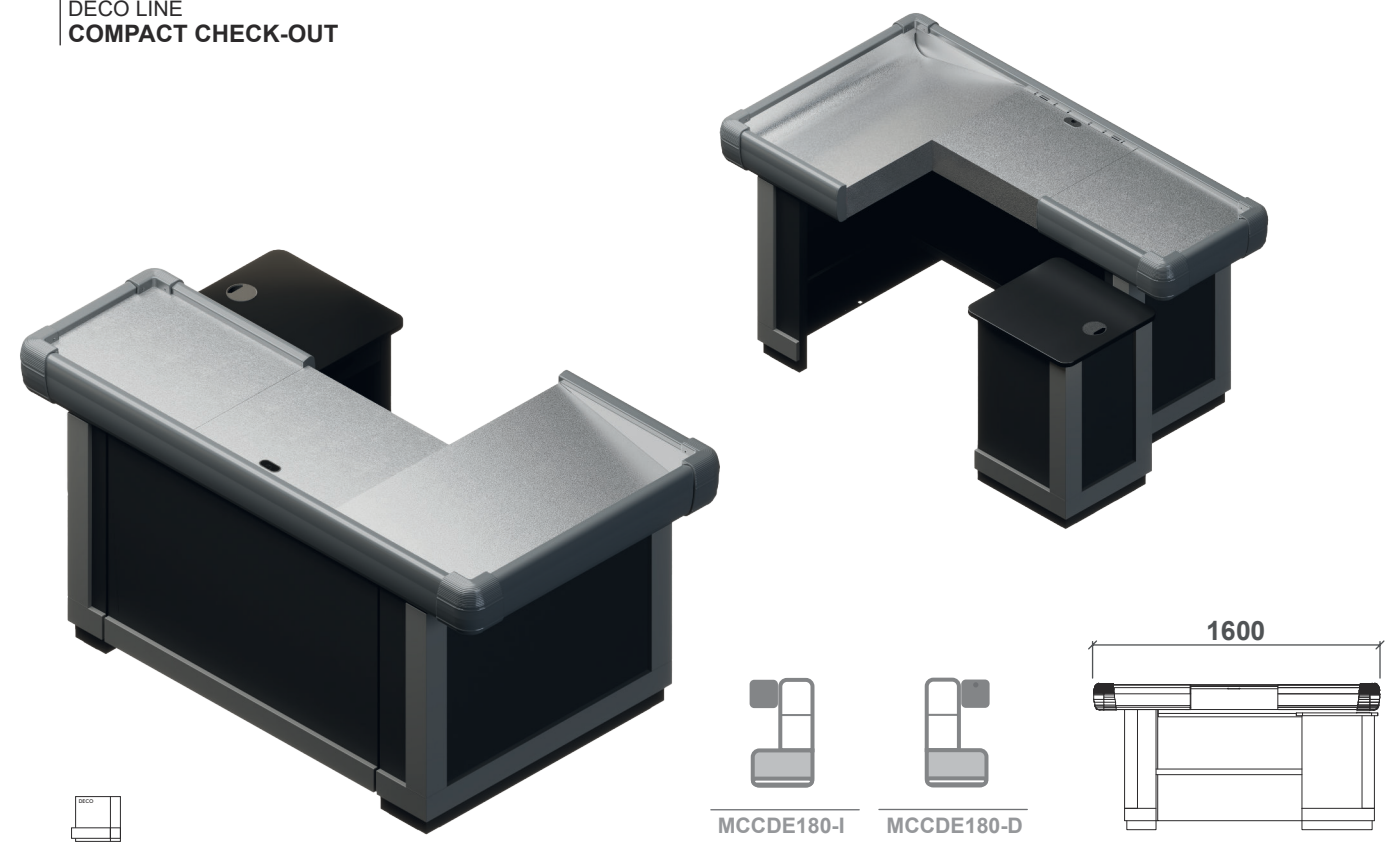


DECO LINE  
CHECK-OUT



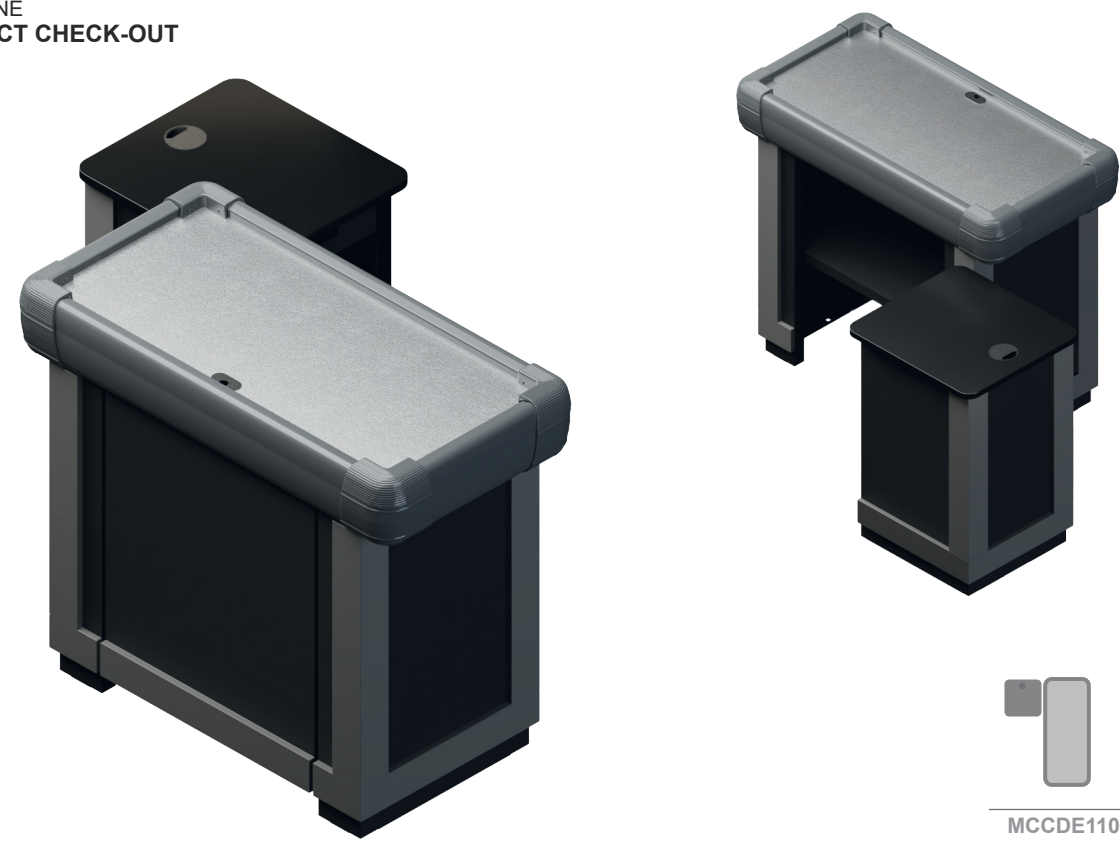
CHECK-OUT DECO

DECO LINE  
COMPACT CHECK-OUT



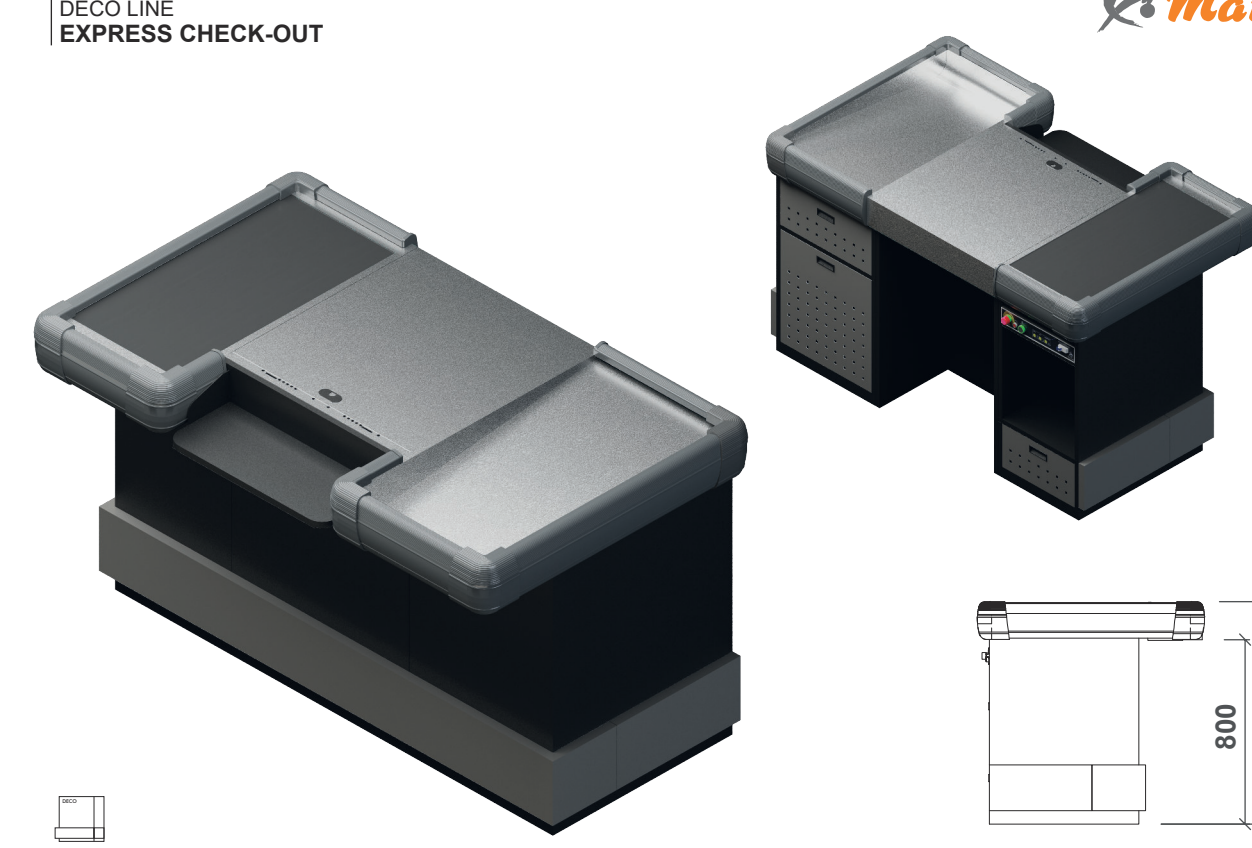
COMPACT DECO 1100 - 1600 - 1800

DECO LINE  
COMPACT CHECK-OUT

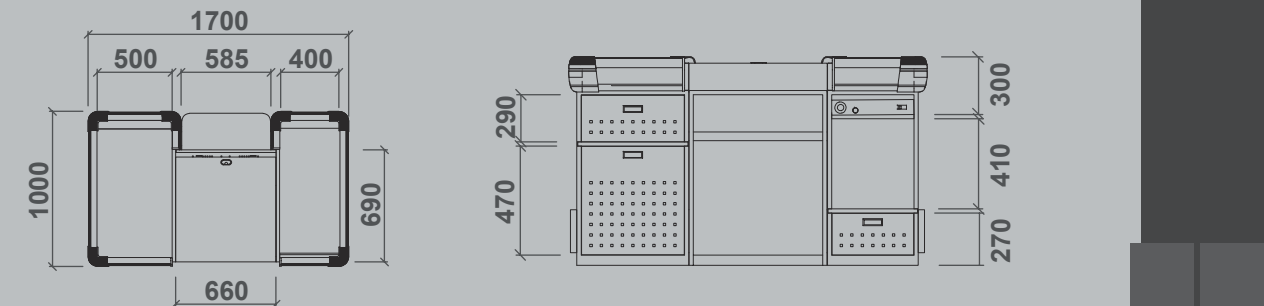
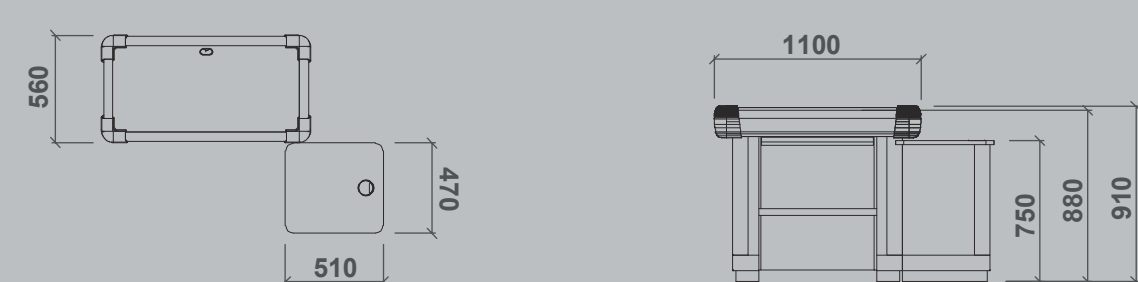
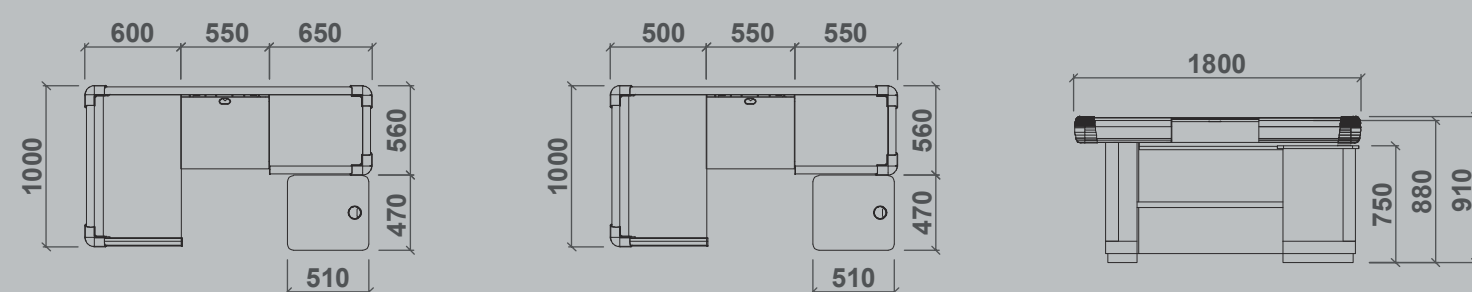
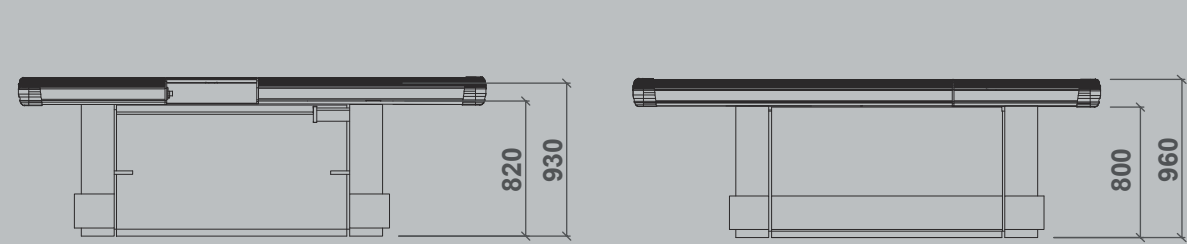


COMPACT DECO 1100 - 1600 - 1800

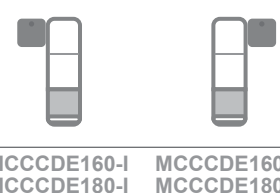
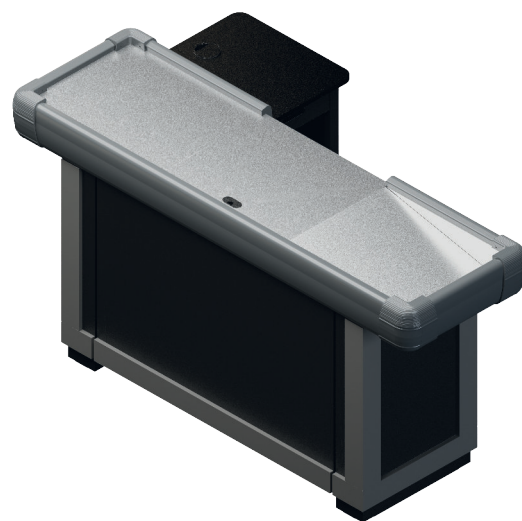
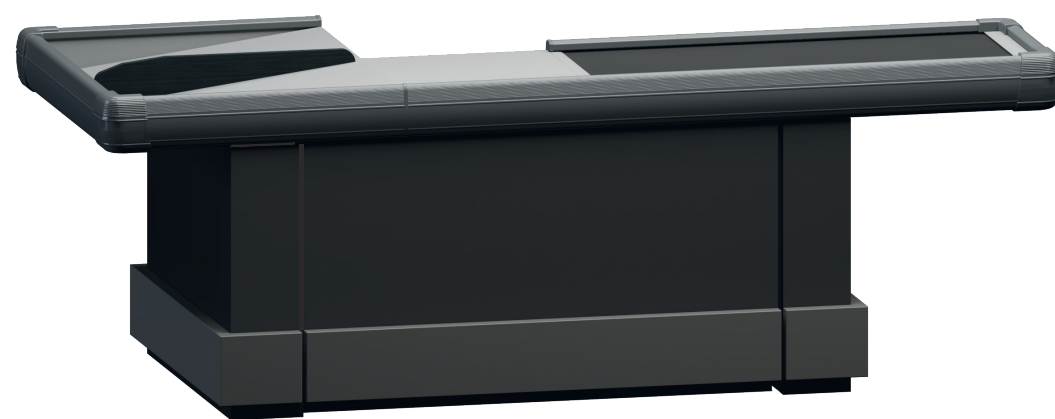
DECO LINE  
EXPRESS CHECK-OUT



EXPRESS DECO 800 1000

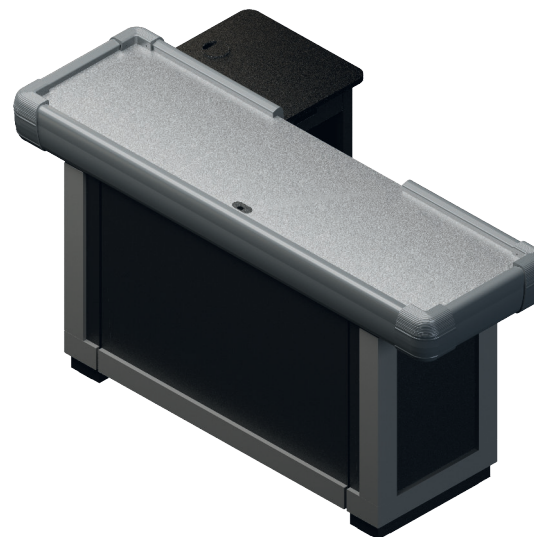


MAIN FEATURES  
CHECK-OUT



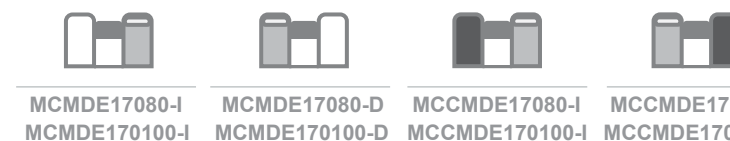
MCCCDE160-I MCCCDE160-D  
MCCCDE180-I MCCCDE180-D

Structural concept adapted to the last innovations in check-outs, printers and other system. Adapted to your corporate image.

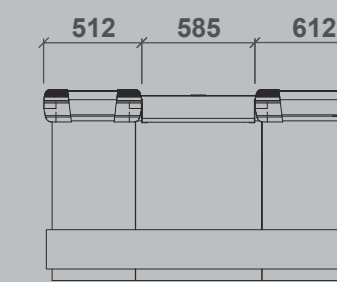
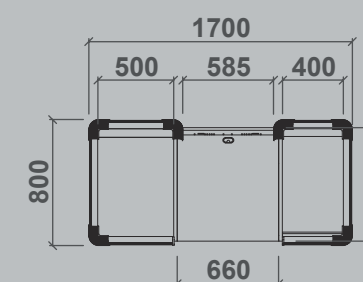
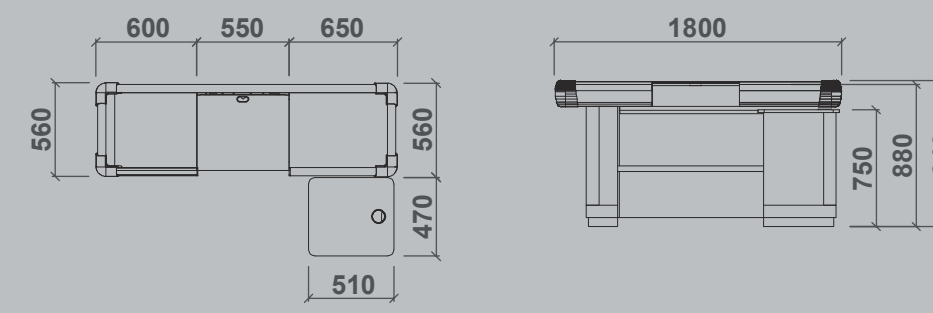
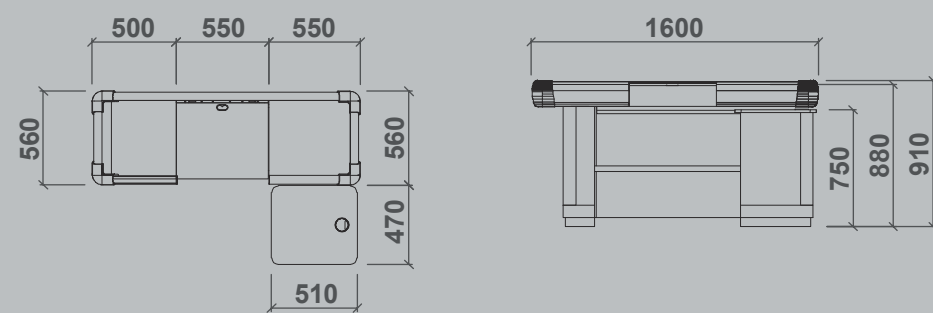
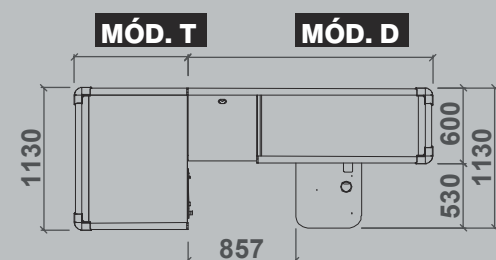
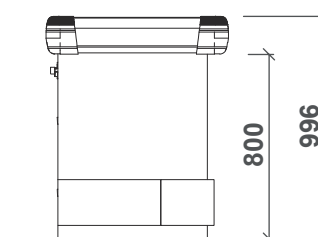


MCRDE160-I MCRDE160-D  
MCRDE180-I MCRDE180-D

Functionality, quality and ergonomic are the base of our developments. A large range for all kind of stores, wholesalers or retailers.

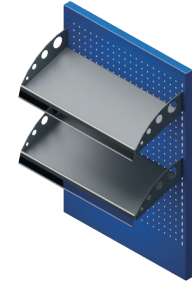


MCMDE17080-I MCMDE17080-D MCCMDE170100-I MCCMDE170100-D  
MCMDE170100-I MCMDE170100-D MCCMDE170100-I MCCMDE170100-D

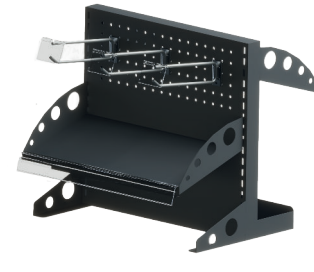




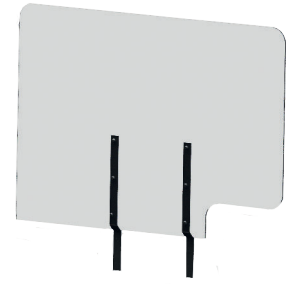
ERGO LINE  
ACCESSORIES



**CÓD. FPEVMCM**  
shelves anchored to panel.



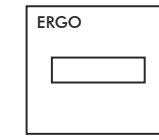
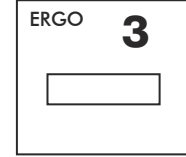
**CÓD. MASD416450**  
Countertop front check-out module.



**CÓD. CMD13085**  
Methacrylate protector  
code. SMD13085  
Support code. SMD13085



**CÓD. INRL2F**  
Multifunctional indicator.  
sign pole Code. PININ  
Extensión pole code. EPININ



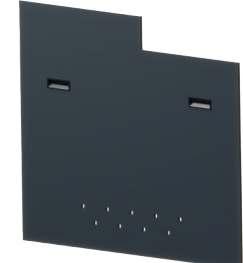
**CÓD. Customizable**



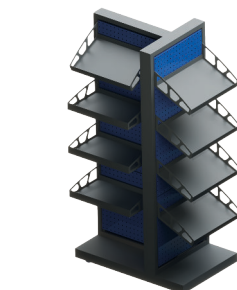
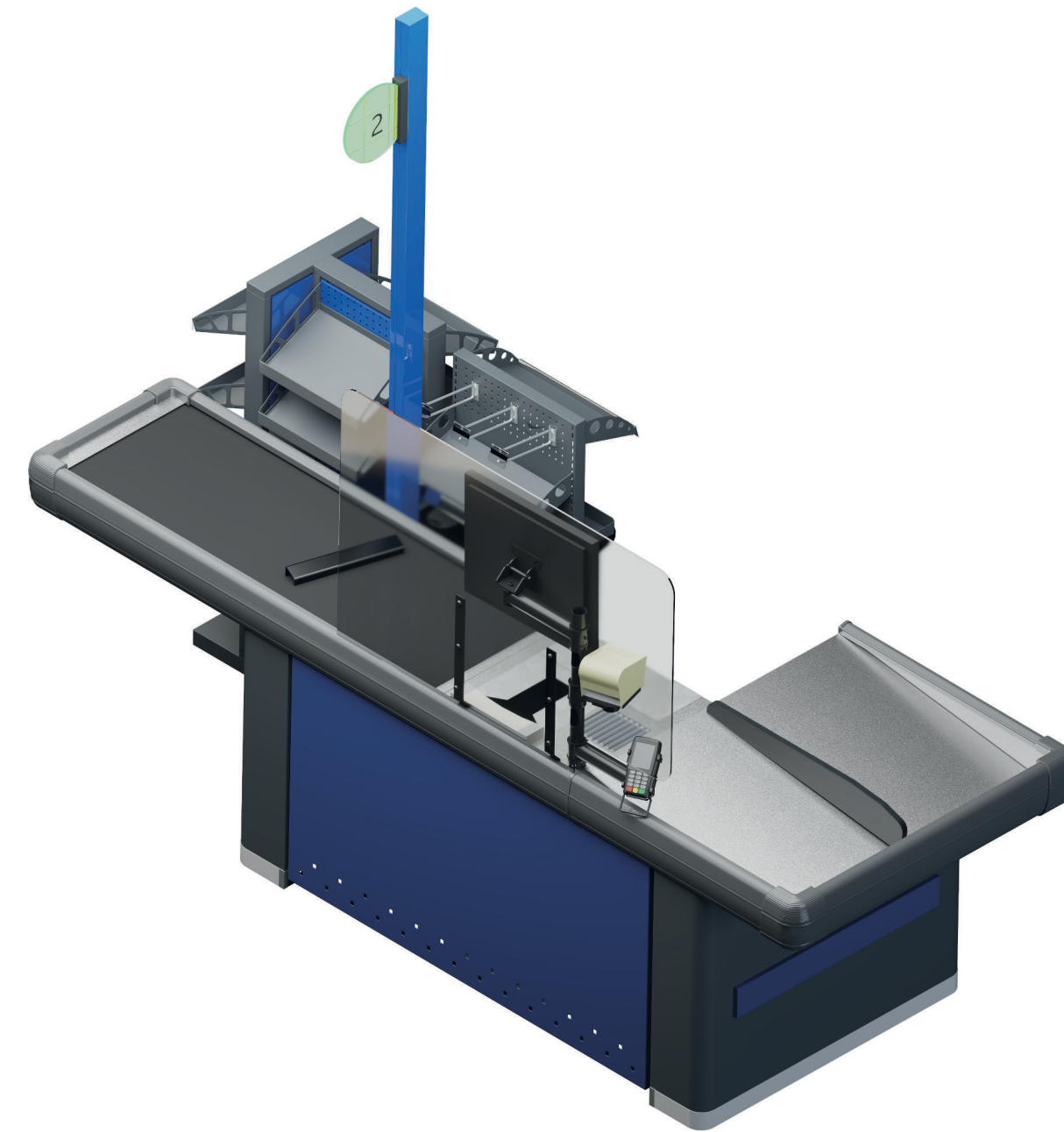
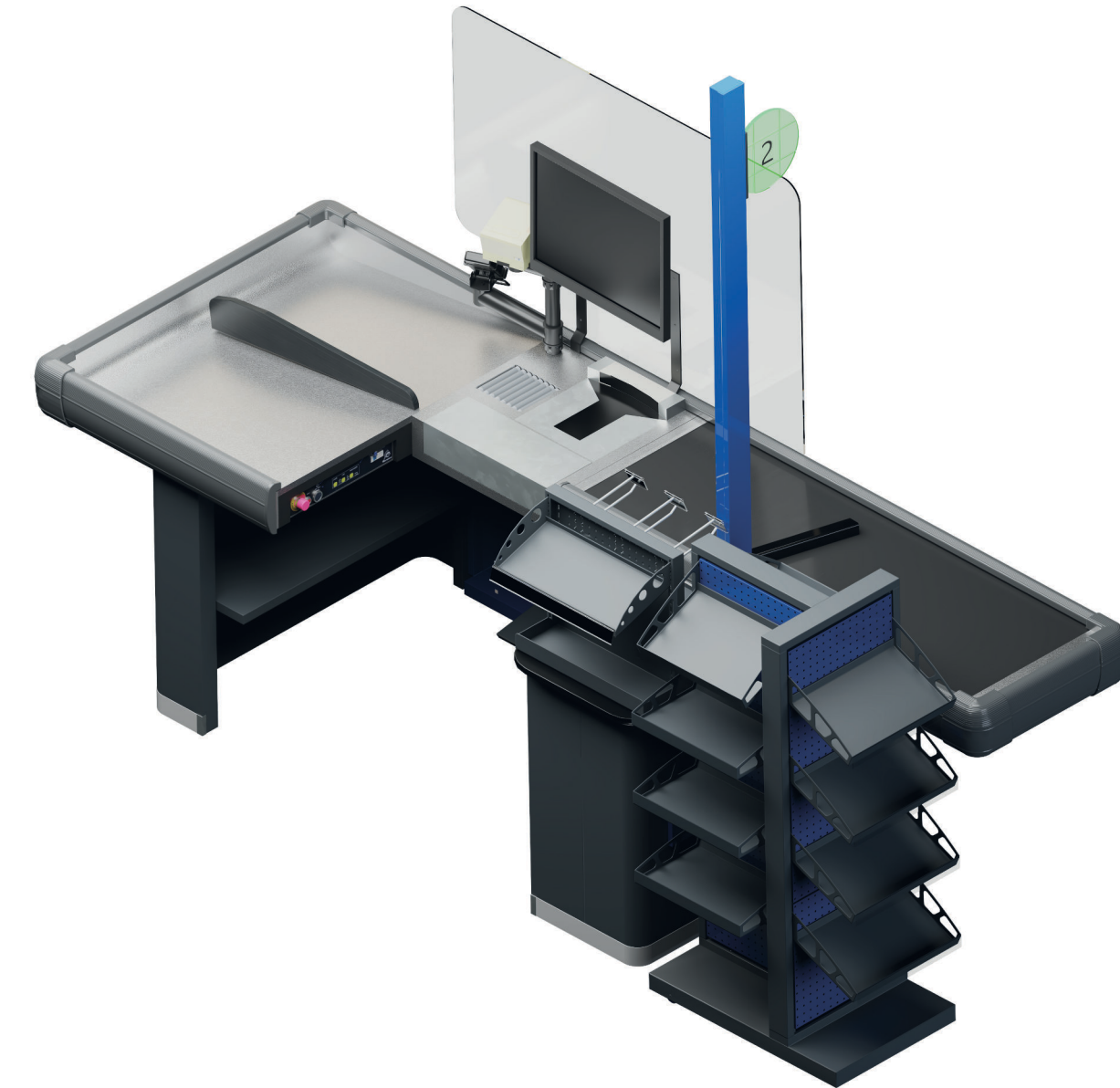
**CÓD. RREG**  
Height adjustable footrest.



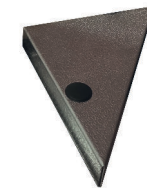
**CÓD. PMSE8553**  
Methacrylate with support.  
Metacrílato protector 850X6  
cód. SMCS8569.



**CÓD. PDMCEG**  
Inner cover.



**CÓD. MA7004201220**  
Gondola front check-out module.



**CÓD. DESPEG**  
Product deviator.



**SEDE SOCIAL - HEAD OFFICE**  
Calle Hierro, 27  
28850 Torrejón de Ardoz  
MADRID, ESPAÑA - SPAIN  
TEL: 91 675 14 34 / (34) 91 677 10 92  
creaciones@marsanz.es

**INTERNACIONAL**  
**EXPORT DIVISION**  
export@marsanz.es

**FRANCIA - FRANCE**  
MARSANZ FRANCE SAS  
TEL: +33 (0) 1 30 88 82 95  
info@marsanz.fr  
www.marsanz.fr

**REINO UNIDO**  
**UNITED KINGDOM**  
MARSANZ UK Ltd.  
TEL: +44 (0) 16 18 81 85 15  
info@marsanz.co.uk

**DELEGACIÓN CANARIAS**  
TEL. 683 22 33 06  
arturobadillo@marsanz.es

**DELEGACIONES EN LA PENINSULA IBÉRICA**  
**BRANCHES IN THE IBERIAN PENINSULA**  
**DELEGACIÓN CATALUÑA - BARCELONA**  
POLIGONO INDUSTRIAL MOLLI D'EN XECH  
Calle Barneda, Nº 17 nave 25  
Frente Rio Ripoll  
08291-RIPOLLET  
TEL: 93 231 34 75  
Barcelona@marsanz.es

**DELEGACIÓN ANDALUCÍA - SEVILLA**  
AVDA. DEL PARSÍ  
POL.IND. MINI PARSÍ, NAVE 9  
41016 SEVILLA  
TEL: 95 451 12 45  
andalucia@marsanz.es

**DELEGACIÓN ZONA NORTE**  
**SANTANDER**  
TEL: 616 430 896  
luiselola@marsanz.es

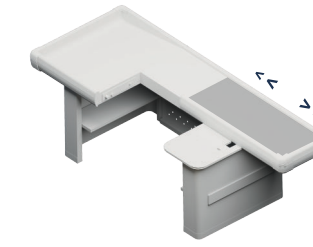
**DELEGACIÓN LEVANTE - ALICANTE**  
C/ CAMPELLO, 13  
POL. IND. LA CALA  
03509 FINESTRAT - ALICANTE  
TEL: 96 680 27 04  
levante@marsanz.es

**DELEGACIÓN PORTUGAL**  
TEL. 683 248 010  
ruibeco@marsanz.es



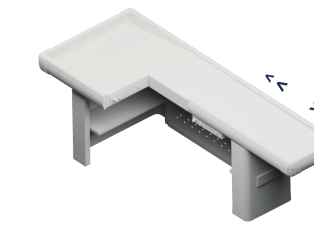
ERGO LINE  
FRONT MODULES

**D1**



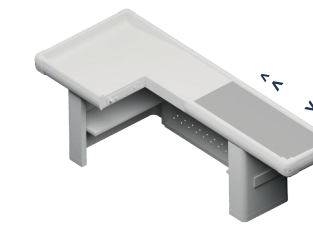
**WITH CONVEYOR BELT**  
< 1530 - 1730 - 1930  
2130 - 2330 - 2530  
2730 >

**D2**



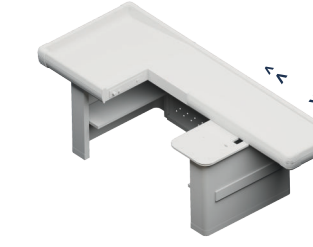
**WITHOUT CONVEYOR BELT**  
< 1530 - 1730 - 1930 >

**D3**

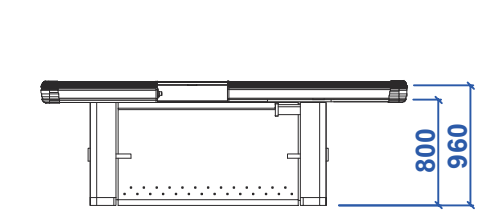
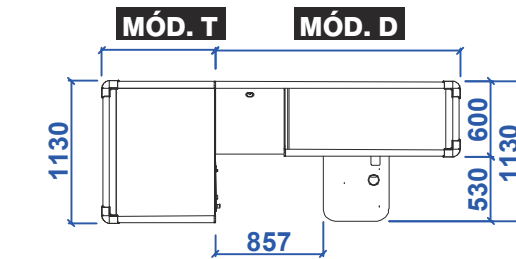


**WITH CONVEYOR BELT**  
< 1530 - 1730 - 1930  
2130 - 2330 - 2530  
2730 >

**D4**

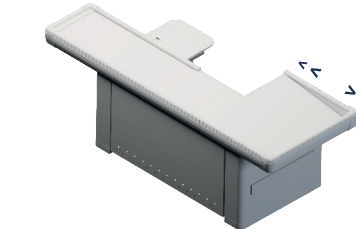


**WITHOUT CONVEYOR BELT**  
< 1530 - 1730 - 1930 >



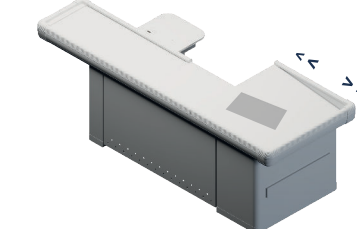
ERGO LINE  
REAR MODULES

**T1**



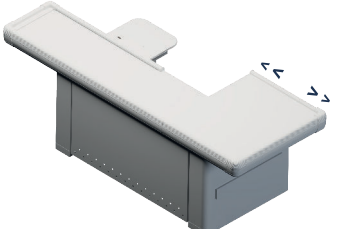
**WIDE REAR MODULES WITHOUT CONVEYOR BELT**  
< 500 - 700 - 900  
1000 - 1200 - 1400 >

**T2**



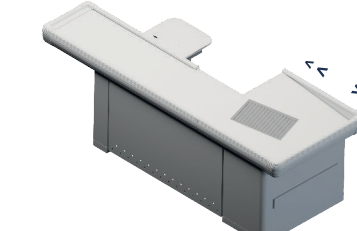
**WIDE REAR MODULES WITH CONVEYOR BELT**  
< 1200 - 1400 >

**T3**



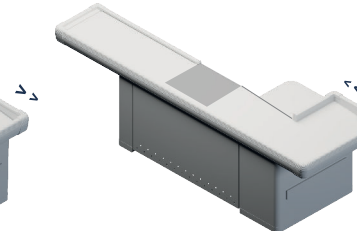
**WIDE PLAIN REAR MODULES WITHOUT CONVEYOR BELT**  
< 500 - 700 - 900  
1000 - 1200 >

**T4**



**WIDE REAR MODULES WITH ROLLER BAND**  
< 1000 - 1200 - 1400 >

**T5**



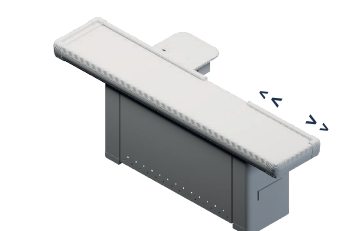
**WIDE REAR MODULES WITH "L" SHAPED**  
< 1400 >

**T6**



**STRAIGHT REAR MODULES WITHOUT CONVEYOR BELT**  
< 500 - 700 - 900  
1000 - 1200 >

**T8**

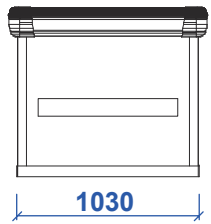
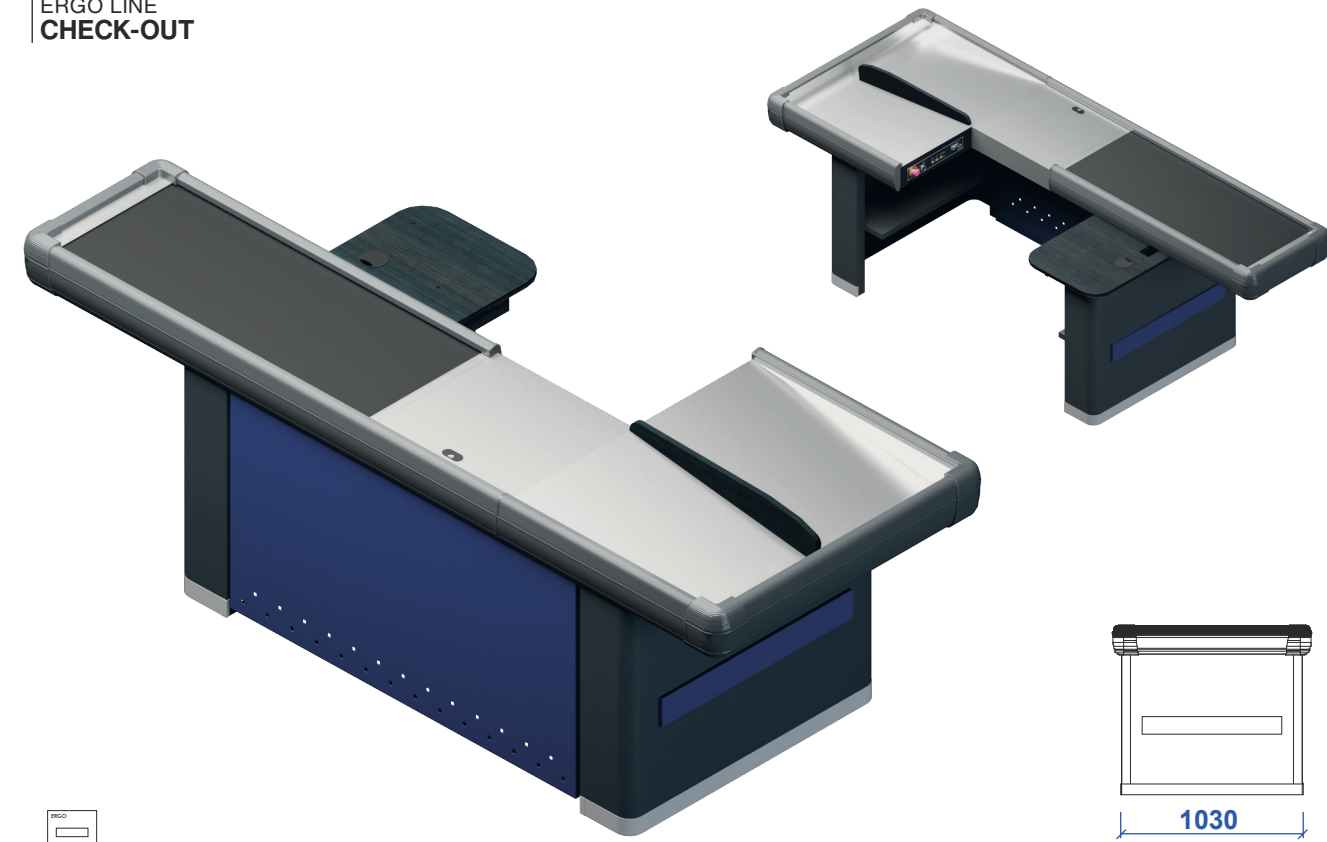


**STRAIGHT PLAIN MODULES WITHOUT CONVEYOR BELT**  
< 500 - 700 - 900  
1000 - 1200 >

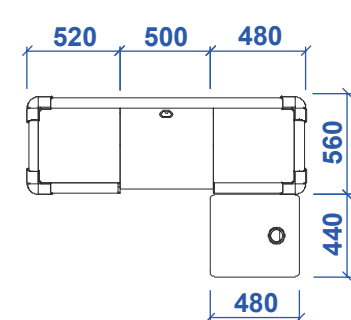
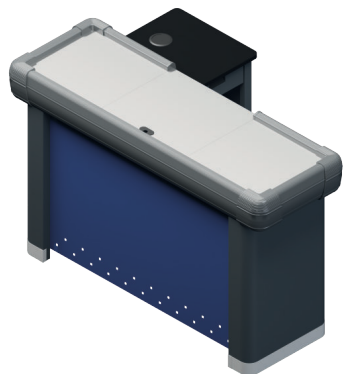
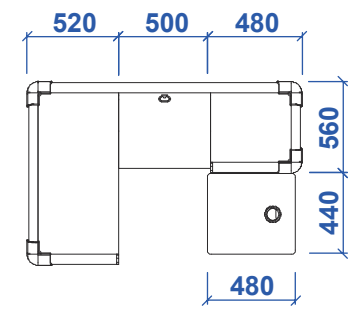
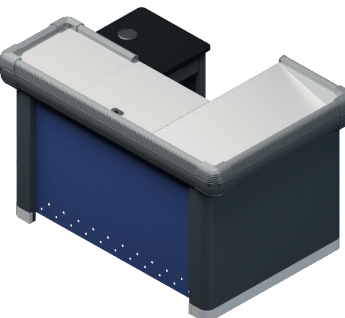
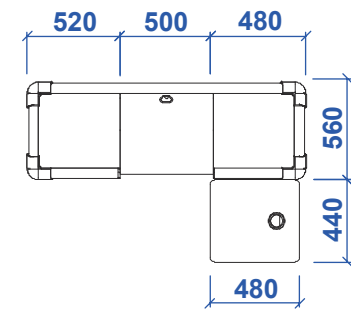
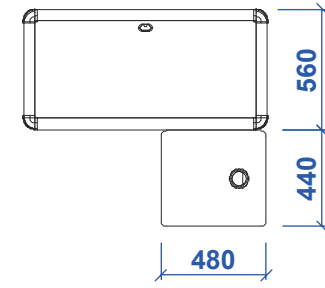
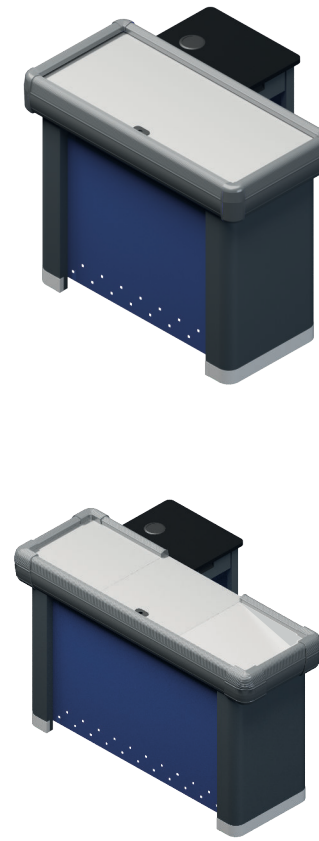
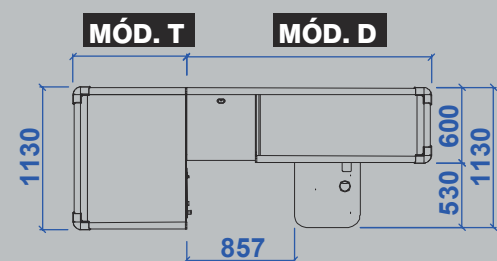


OUR FULL LINE OF  
PRODUCTS AND ACCESSORIES



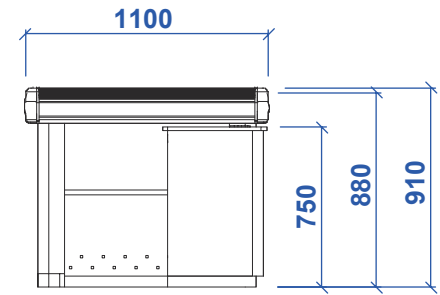


Functionality, quality and ergonomic are the base of our developments. A large range for all kind of stores, wholesalers or retailers. Structural concept adapted to the last innovations in check-outs, printers and other systems. Adapted to your corporate image.

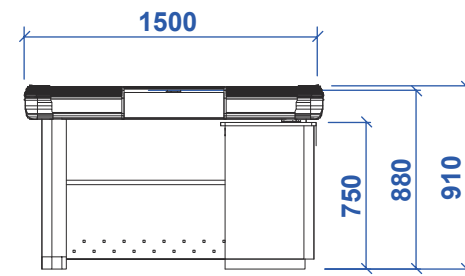


CHECK-OUT ERGO

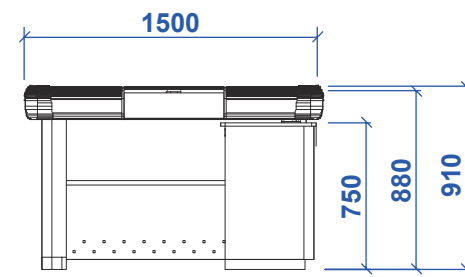
COMPACT ERGO 1100 - 1500 - 1800



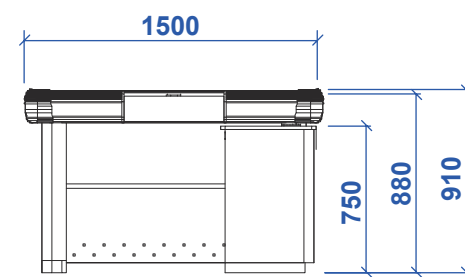
MREG110



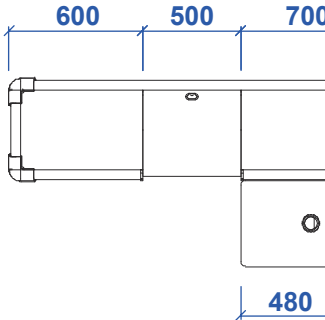
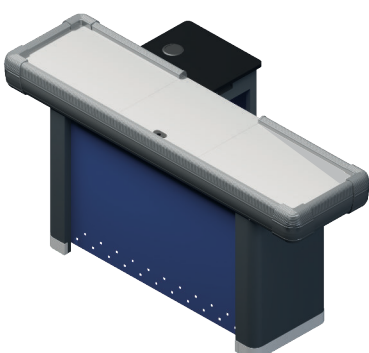
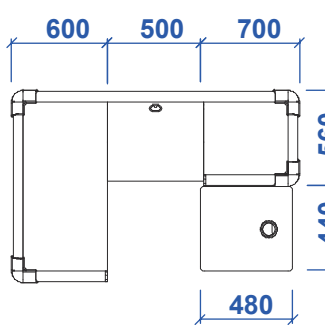
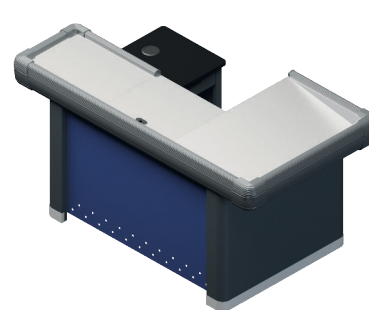
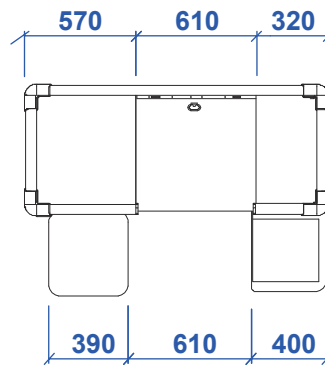
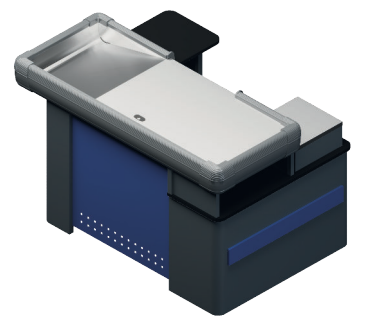
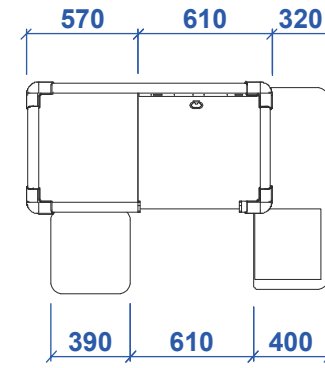
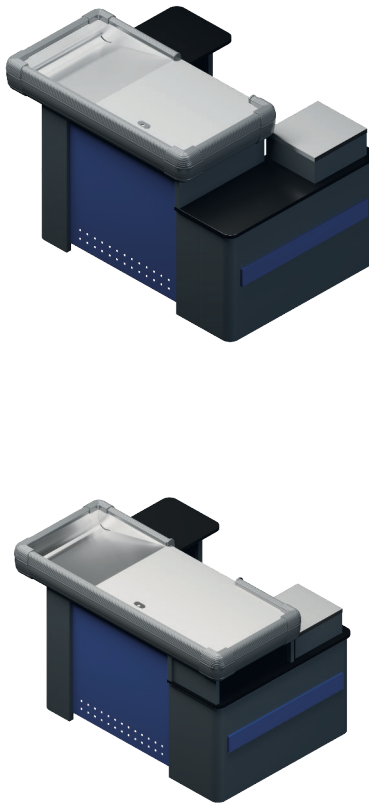
MCCEG150-I MCCEG150-D



MCEG150-I MCEG150-D



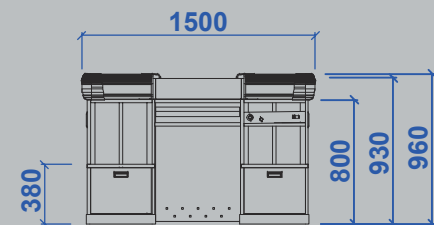
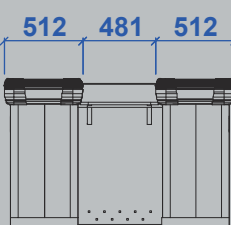
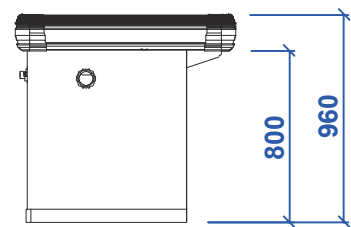
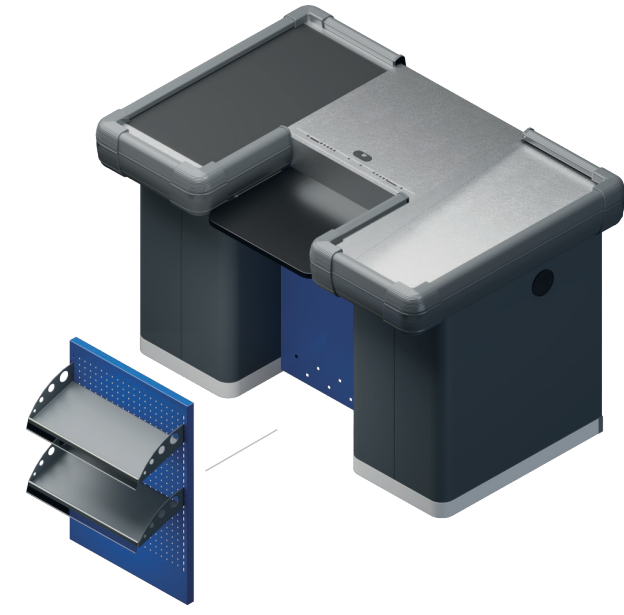
MCCEG150-I MCCEG150-D



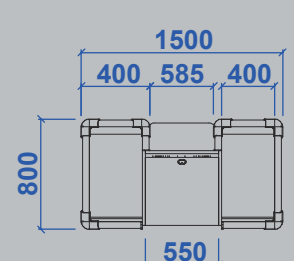
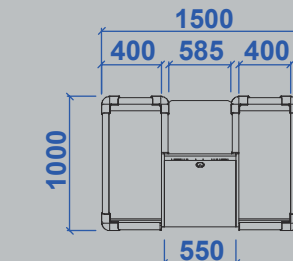
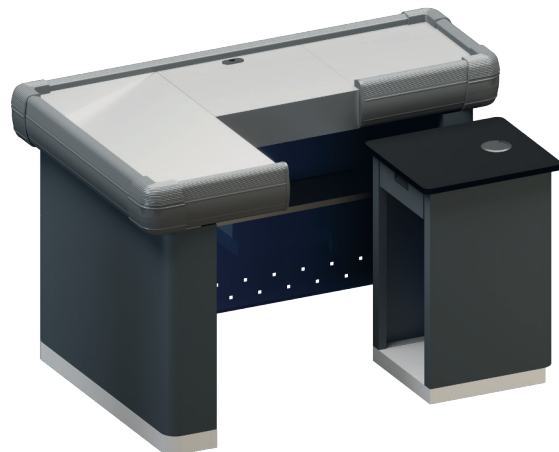
MREG110

COMPACT ERGO 1100 - 1500 - 1800

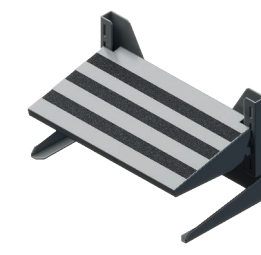
MCMEG15080-I MCMEG150100-I MCCMEG150100-I MCCMEG150100-D  
MCMEG15080-D MCMEG150100-D



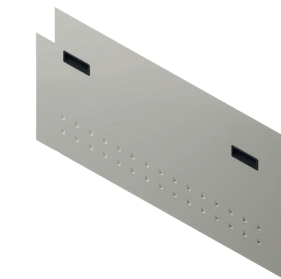
Auxiliary table  
480x440x735  
620x560x735



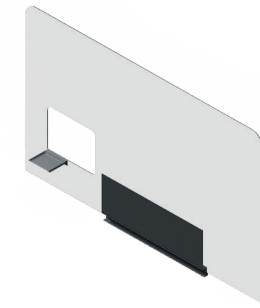




**CÓD. RPPR**  
Height adjustable footrest.



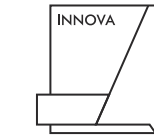
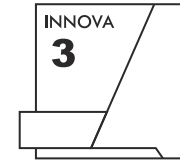
**CÓD. CINIPCS**  
Inner cover.



**CÓD. CSMMCIN**  
Methacrylate code. SMIN14085  
Support code. SMMI



**CÓD. INI4F**  
Multifunctional indicator  
Sign pole Cod. PININ  
Extension pole Cod. EPININ



INNOVA structure integrates common elements. It is ADAPTABLE to any sales area, trend or current technology. This is the result of knowledge and INNOVA-tion about the sector. Functionality and Image have been the principal premise while developing this new model of check-outs.



**CÓD. TVCJ**  
Customer display pole.



**CÓD. MVIM5050F186**  
Impulse sales table  
50x50 F186.



**CÓD. SEPEG**  
Next customer bar.



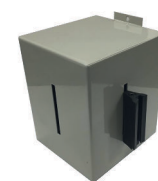
**CÓD. SSCSSP**  
Next customer bar.  
Support with sign.



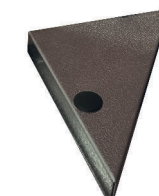
**CÓD. Customizable**



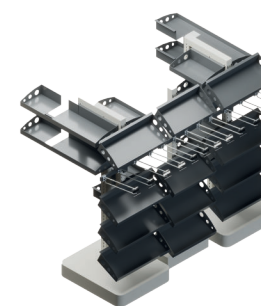
**CÓD. CEI410PP**  
Shelves anchored to pole.



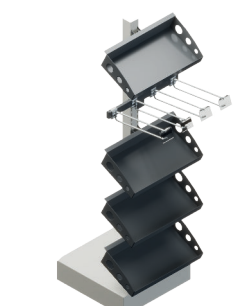
**CÓD. CCMCC230**  
Extendable prohibited access gate.  
Belt support Cód. SECC



**CÓD. DESPEG**  
Product deviator.



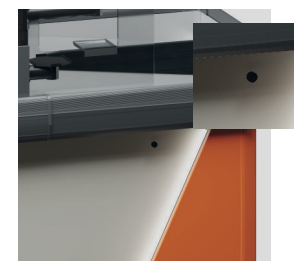
**CÓD. \*Configurable**  
Front box composition.  
EVIMAC y VIMAC



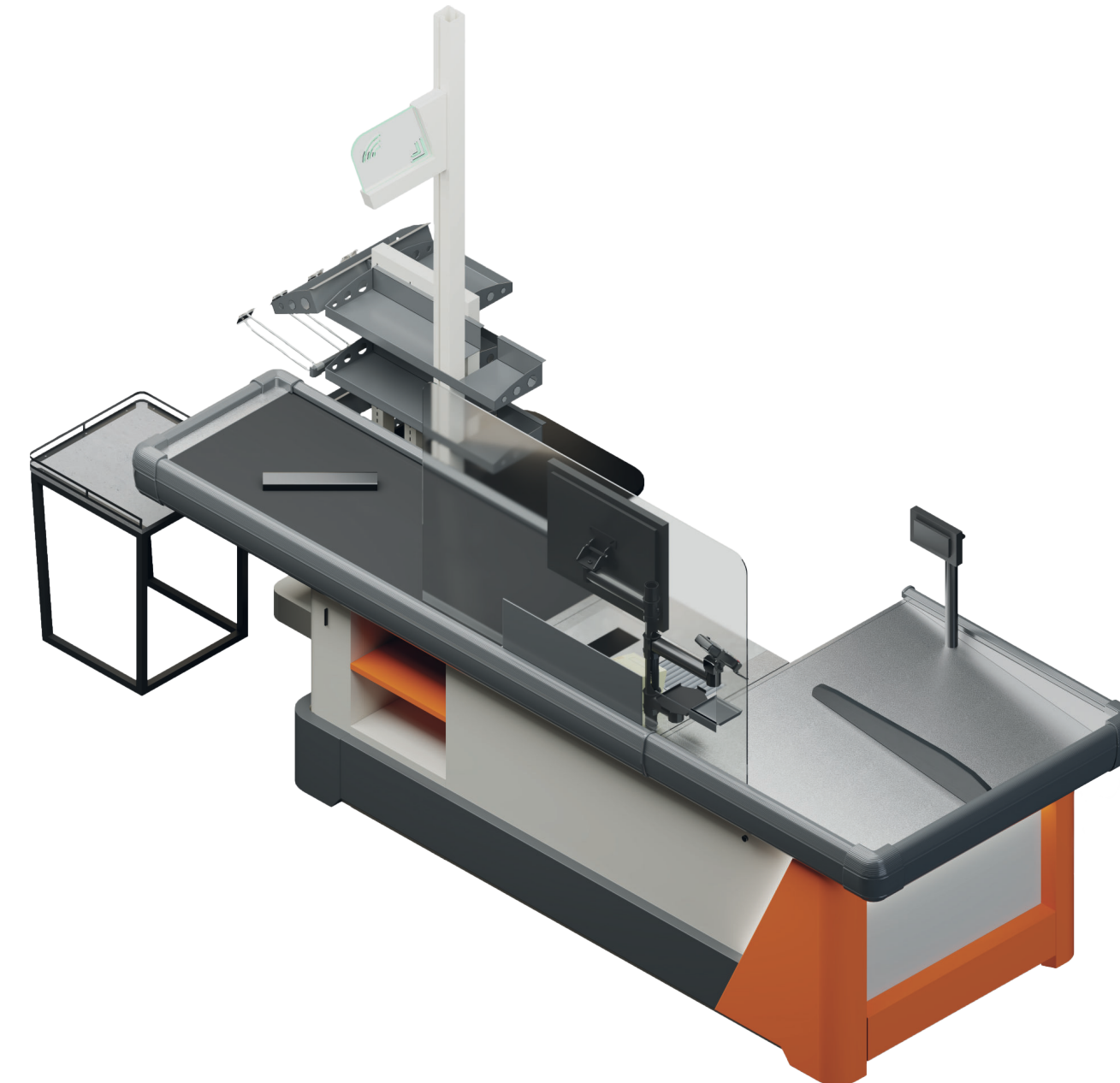
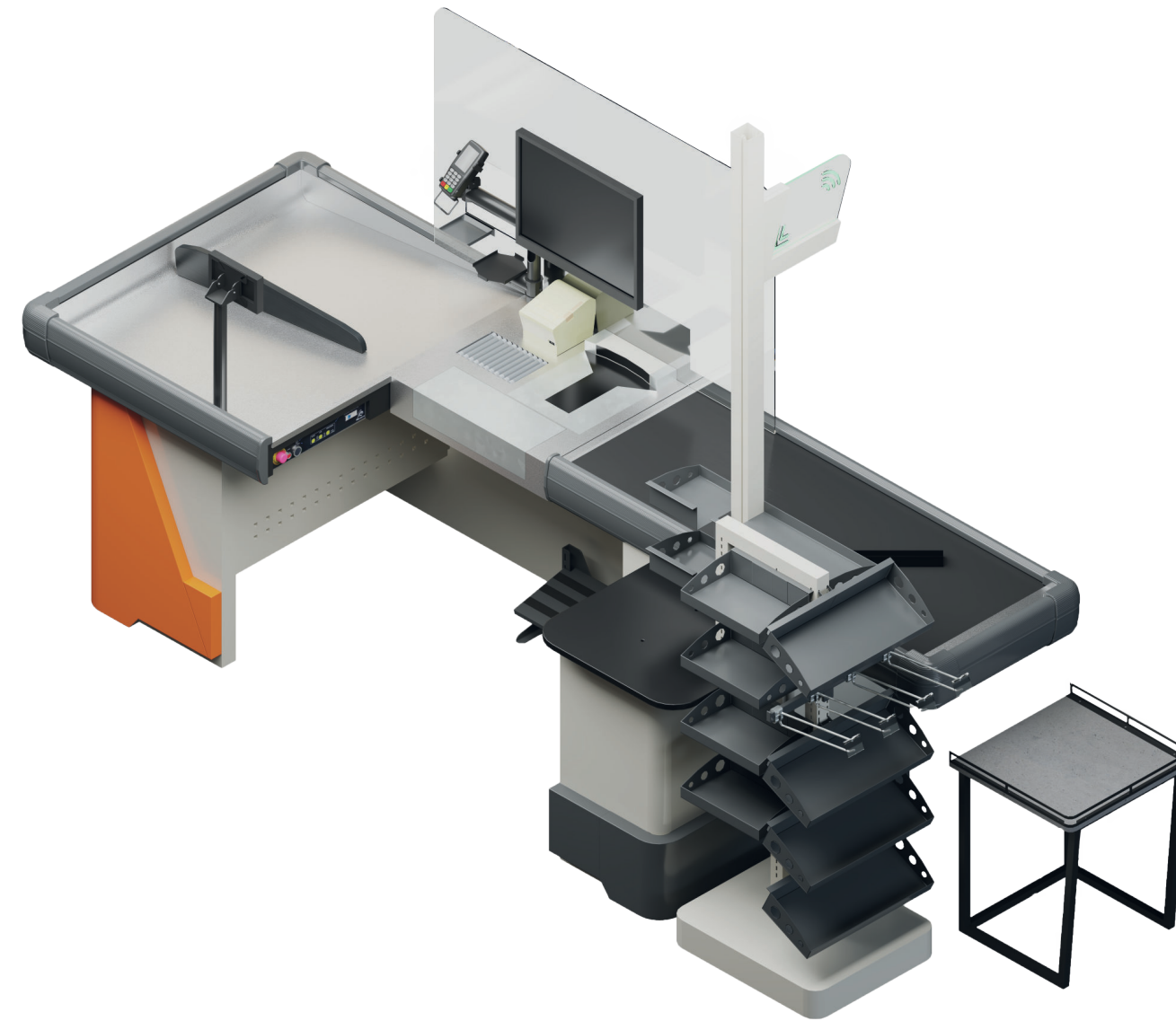
**CÓD. EVIMAC410**  
Structure front check-out module. \*Customizable.



**CÓD. VIMAC**  
Structure front check-out module. \*Customizable.



**CÓD. FAMCIN**  
Presence detection photocells.



**SEDE SOCIAL - HEAD OFFICE**  
Calle Hierro, 27  
28850 Torrejón de Ardoz  
MADRID, ESPAÑA - SPAIN  
TEL: 91 675 14 34 / (34) 91 677 10 92  
creaciones@marsanz.es

**FRANCIA - FRANCE**  
MARSANZ FRANCE SAS  
TEL: +33 (0) 1 30 88 82 95  
info@marsanz.fr  
www.marsanz.fr

**DELEGACIONES EN LA PENINSULA IBERICA  
BRANCHES IN THE IBERIAN PENINSULA**  
**DELEGACIÓN CATALUÑA - BARCELONA**  
POLIGONO INDUSTRIAL MOLÍ D'EN XECH  
Calle Barneda, Nº 17 nave 25  
Frente Rio Ripoll  
08291-RIPOLLET  
TEL: 93 231 34 75  
Barcelona@marsanz.es

**DELEGACIÓN ZONA NORTE  
SANTANDER**  
TEL: 616 430 896  
luiselola@marsanz.es

**DELEGACIÓN LEVANTE - ALICANTE**  
C/ CAMPELLO, 13  
POL. IND. LA CALA  
03509 FINESTRAT - ALICANTE  
TEL: 96 680 27 04  
levante@marsanz.es

**DELEGACIÓN PORTUGAL**  
TEL: 683 248 010  
ruibeco@marsanz.es

**INTERNACIONAL  
INTERNATIONAL  
EXPORT DIVISION**  
export@marsanz.es

**REINO UNIDO  
UNITED KINGDOM**  
MARSANZ UK Ltd.  
TEL: +44 (0) 16 18 81 85 15  
info@marsanz.co.uk

**DELEGACIÓN CANARIAS**  
TEL: 683 22 33 06  
arturobadillo@marsanz.es

**DELEGACIÓN ANDALUCÍA - SEVILLA**  
AVDA. DEL PARSÍ  
POL.IND. MINI PARSÍ, NAVE 9  
41016 SEVILLA  
TEL: 95 451 12 45  
andalucia@marsanz.es



INNOVA Check-outs be equipped with indicators that interact with programmable electronic components. It offers different functions supported by visual and acoustic signage. Among its accessories it has an anti-theft alarm within the available equipment. These elements interact with surrounding elements for usability and hard demand of service bringing a correct ergonomomy at the working area as well as versatility in the adaptation of the accessories.

Created from lines that grants rhythm and clarity in the intense check out traffic. The models of the INNOVA Line with their different modulations and configurations cover the needs of different shopping areas and transmit a solid and different image.

Available in a wide variety of colors with the option to customize with your corporate lettering, check with our sales networks at [www.marsanz.es](http://www.marsanz.es)



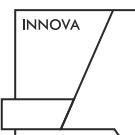
OUR FULL LINE OF  
PRODUCTS AND ACCESSORIES

**Line of check outs built in 3 modules.**

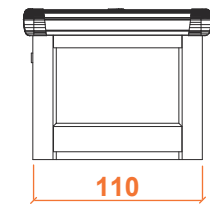
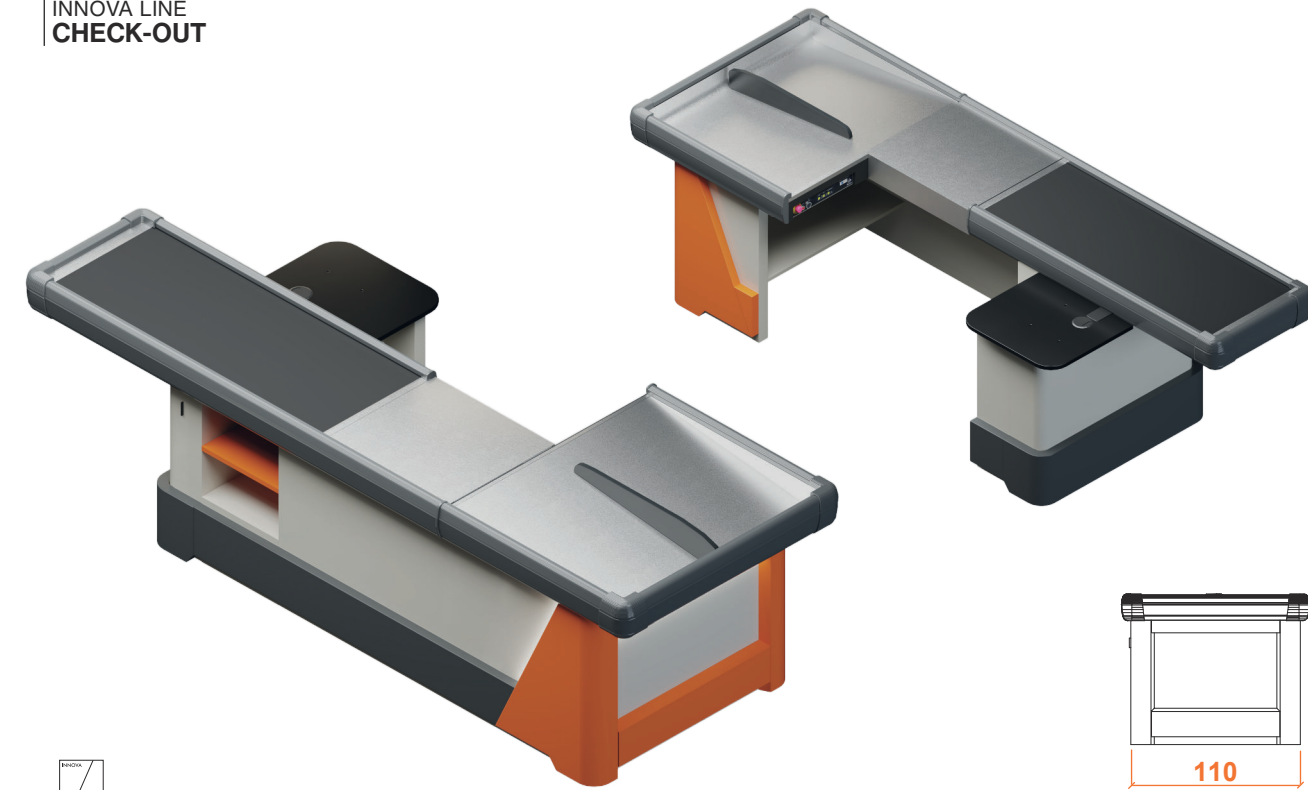
**FRONT module:** with a wide offer of conveyor belts sizes for all types of sales portfolio.

**CENTRAL module:** the working area has many configurations and peripheral components adaptations to fit to the most efficient working mode.

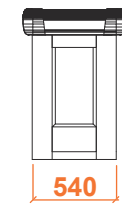
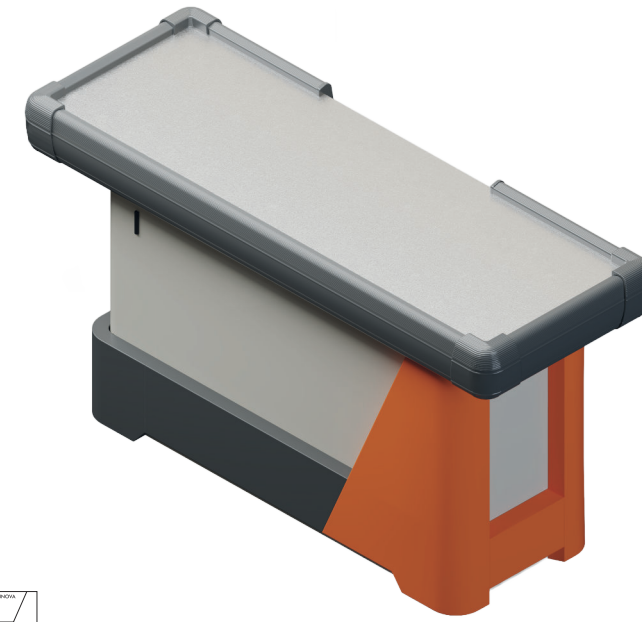
**BACK module:** whose design conditions are the needs of each customer. Providing the most studied solutions for the convenience of the product collection.



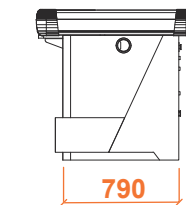
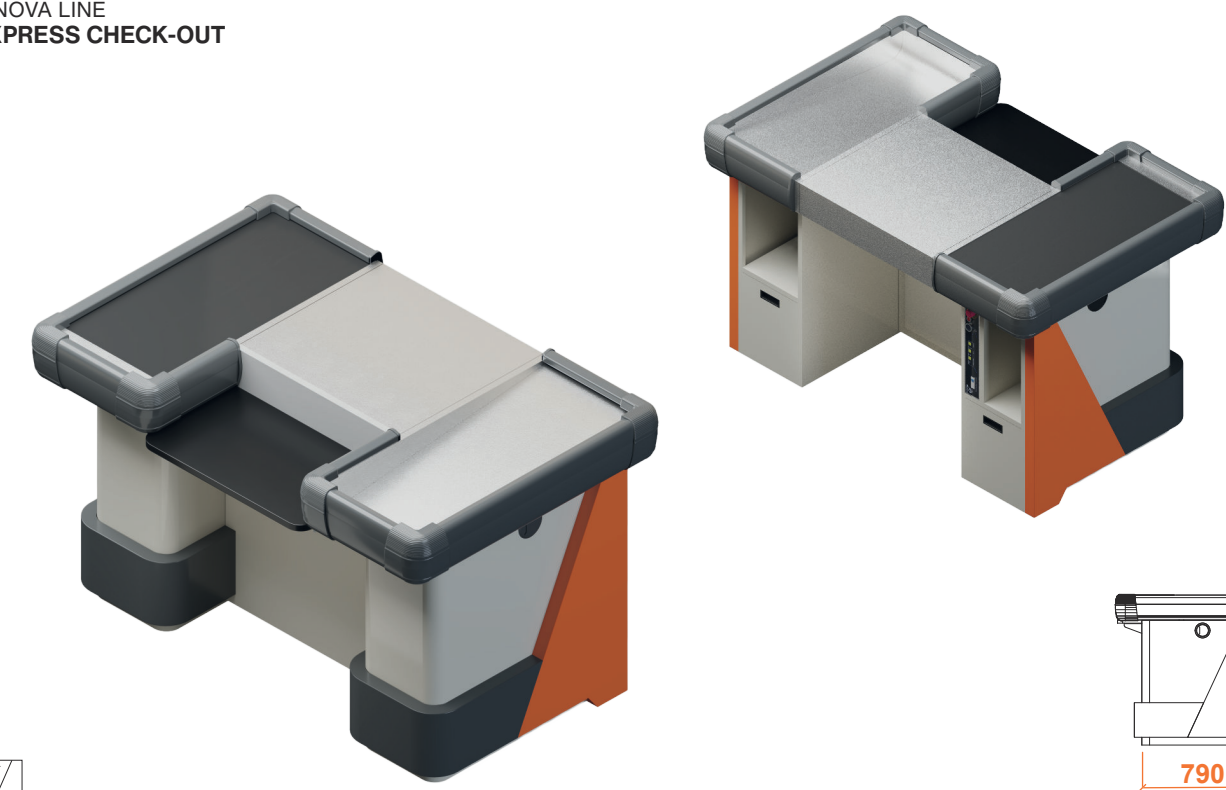




CHECK-OUT INNOVA

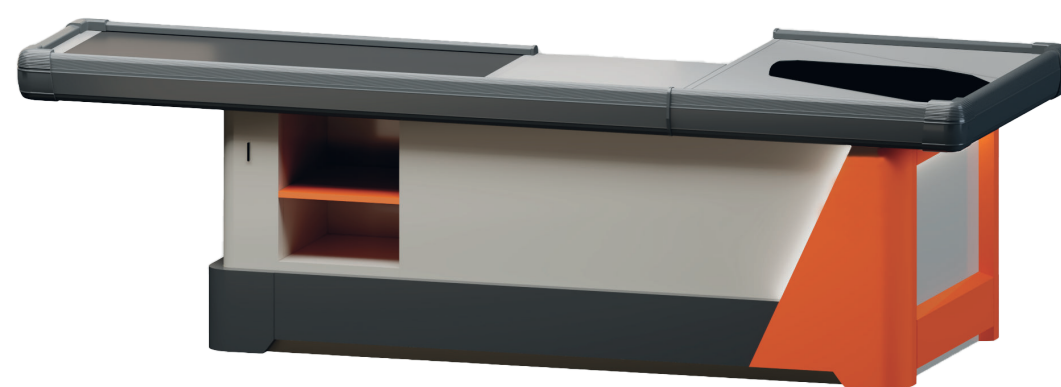
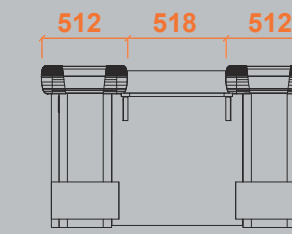
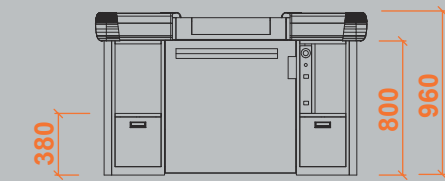
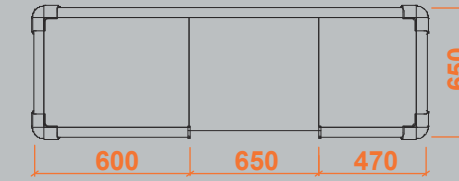
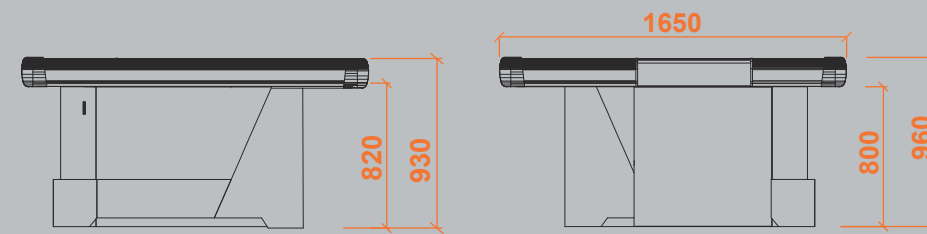
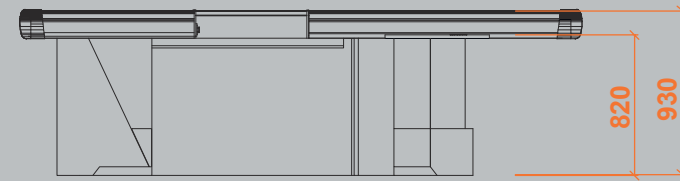
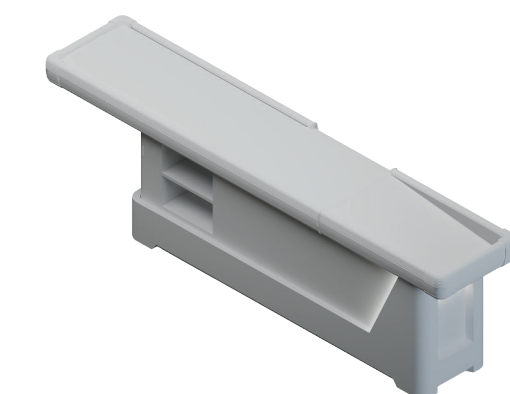
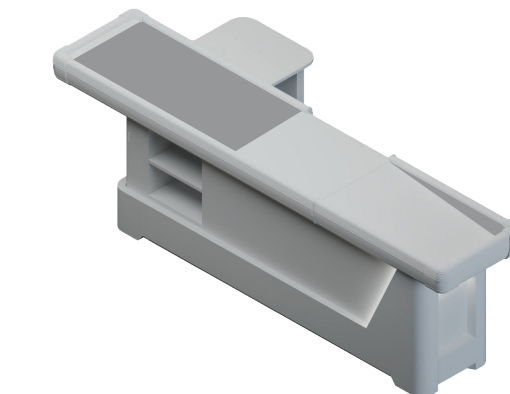
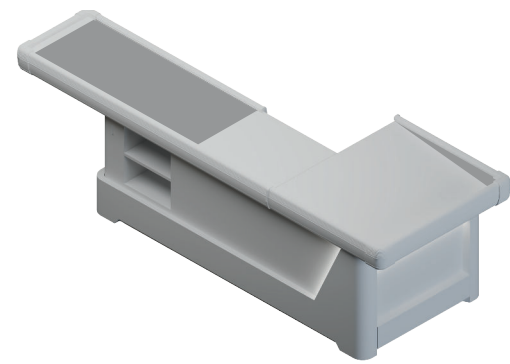
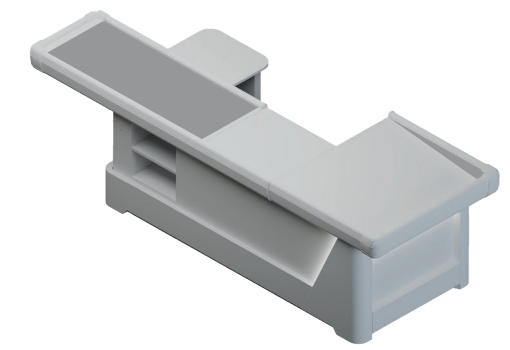


COMPACT INNOVA 1650 - 1850



EXPRESS INNOVA 1650 - 1850

CODE	FRONT MODULE	REAR MODULE
MCCIN2330-D MCCIN2330-I MCCIN2530-D MCCIN2530-I	980mm	700mm 900mm
MCCIN3030-D MCCIN3030-I MCC12IN3230-D MCC12IN3230-I	1380mm	1000mm 1200mm
MCC10IN3230-D MCC10IN3230-I MCCIN3430-D MCCIN3430-I	1580mm	1000mm 1200mm
MCCIN2330SD-D MCCIN2330SD-I MCCIN2530SD-D MCCIN2530SD-I	980mm	700mm 900mm
MCCIN3030SD-D MCCIN3030SD-I MCC12IN3230SD-D MCC12IN3230SD-I	1380mm	1000mm 1200mm
MCC10IN3230SD-D MCC10IN3230SD-I MCCIN3430SD-D MCCIN3430SD-I	1580mm	1000mm 1200mm
MCCRIN2330-D MCCRIN2330-I MCCRIN2530-D MCCRIN2530-I	980mm	700mm 900mm
MCCRIN3030-D MCCRIN3030-I MCCR12IN3230-D MCCR12IN3230-I	1380mm	1000mm 1200mm
MCCRIN2330SD-D MCCRIN2330SD-I MCCRIN2530SD-D MCCRIN2530SD-I	980mm	700mm 900mm
MCCRIN3030SD-D MCCRIN3030SD-I MCCRIN3230SD-D MCCRIN3230SD-I	1380mm 1580mm	1000mm 1200mm



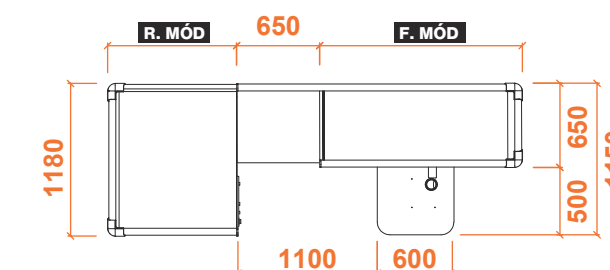
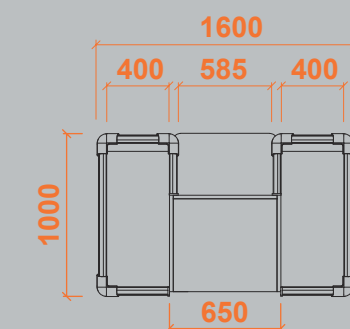
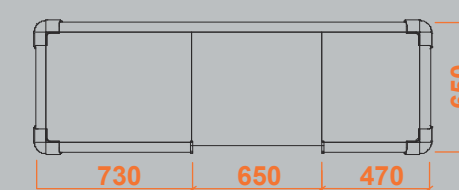
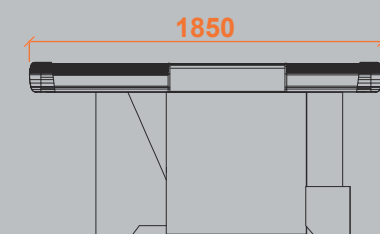
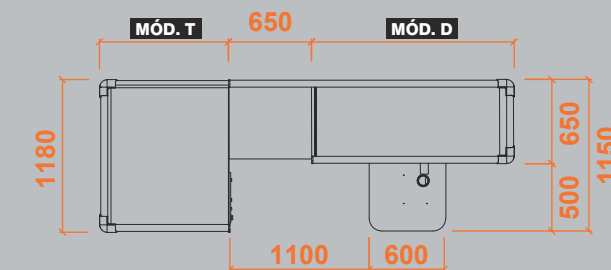
MCINRCP165-I MCINRCP165-D  
MCINRCP185-I MCINRCP185-D  
MCINRC185-I MCINRC185-D

- High quality steel and coatings.
- Ergonomic and functional according to standards.
- Adaptation to any computer peripheral.
- Adapted design to new market trends.
- Adapted design adapted to new market trends.
- Wide color range and configurations.
- Entirely Built by **Marsanz**.



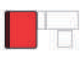







MCCM160100-I MCCM160100-D

Functionality, quality and ergonomic are the base of our developments. A large range for all kind of stores, wholesalers or retailers. Structural concept adapted to the last innovations in check-outs, printers and other systems. Adapted to your corporate image.

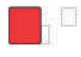











CON DADO AUXILIAR  
WITH AUXILIARY DESK

DERECHO RIGHT		D1							D2	
		1530	1730	1930	2130	2330	2530	2730	1530	1730
 T1	500	2045	2046	2047	2048	2049	2050	2051	2087	2088
	700	2052	2053	2054	2055	2056	2057	2058	2089	2090
	900	2059	2060	2061	2062	2063	2064	2065	2091	2092
	1000	2066	2067	2068	2069	2070	2071	2072	2093	2094
	1200	2073	2074	2075	2076	2077	2078	2079	2095	2096
	1400	2080	2081	2082	2083	2084	2085	2086	2097	2098
 T2	1200	2099	2100	2101	2102	2103	2104	2105	2113	2114
	1400	2106	2107	2108	2109	2110	2111	2112	2115	2116
 T3	500	2117	2118	2119	2120	2121	2122	2123	2152	2153
	700	2124	2125	2126	2127	2128	2129	2130	2154	2155
	900	2131	2132	2133	2134	2135	2136	2137	2156	2157
	1000	2138	2139	2140	2141	2142	2143	2144	2158	2159
	1200	2145	2146	2147	2148	2149	2150	2151	2160	2161
 T4	1200	2162	2163	2164	2165	2166	2167	2168	2176	2177
	1400	2169	2170	2171	2172	2173	2174	2175	2178	2179
 T5	1400	2180	2181	2182	2183	2184	2185	2186	2194	2195
	1600	2187	2188	2189	2190	2191	2192	2193	2196	2197
 T6	500	2198	2199	2200	2201	2202	2203	2204	2233	2234
	700	2205	2206	2207	2208	2209	2210	2211	2235	2236
	900	2212	2213	2214	2215	2216	2217	2218	2237	2238
	1000	2219	2220	2221	2222	2223	2224	2225	2239	2240
	1200	2226	2227	2228	2229	2230	2231	2232	2241	2242
 T7	1400	2243	2244	2245	2246	2247	2248	2249	2157	2158
	1600	2250	2251	2252	2253	2254	2255	2256	2259	2260
 T8	500	2261	2262	2263	2264	2265	2266	2267	2296	2297
	700	2268	2269	2270	2271	2272	2273	2274	2298	2299
	900	2275	2276	2277	2278	2279	2280	2281	2300	2301
	1000	2282	2283	2284	2285	2286	2287	2288	2302	2303
	1200	2289	2290	2291	2292	2293	2294	2295	2304	2305

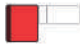





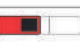
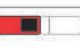

CODIGOS MUEBLE COMPLETO  
CODES FOR COMPLETE CHECK-OUT

IZQUIERDO LEFT		D1							D2	
		1530	1730	1930	2130	2330	2530	2730	1530	1730
 T1	500	2306	2307	2308	2309	2310	2311	2312	2348	2349
	700	2313	2314	2315	2316	2317	2318	2319	2350	2351
	900	2320	2321	2322	2323	2324	2325	2326	2352	2353
	1000	2327	2328	2329	2330	2331	2332	2333	2354	2355
	1200	2334	2335	2336	2337	2338	2339	2340	2356	2357
	1400	2341	2342	2343	2344	2345	2346	2347	2358	2359
 T2	1200	2360	2361	2362	2363	2364	2365	2366	2374	2375
	1400	2367	2368	2369	2370	2371	2372	2373	2376	2377
 T3	500	2378	2379	2380	2381	2382	2383	2384	2413	2414
	700	2385	2386	2387	2388	2389	2390	2391	2415	2416
	900	2392	2393	2394	2395	2396	2397	2398	2417	2418
	1000	2399	2400	2401	2402	2403	2404	2405	2419	2420
	1200	2406	2407	2408	2409	2410	2411	2412	2421	2422
 T4	1200	2423	2424	2425	2426	2427	2428	2429	2437	2438
	1400	2430	2431	2432	2433	2434	2435	2436	2439	2440
 T5	1400	2441	2442	2443	2444	2445	2446	2447	2455	2456
	1600	2448	2449	2450	2451	2452	2453	2454	2457	2458
 T6	500	2459	2460	2461	2462	2463	2464	2465	2494	2495
	700	2466	2467	2468	2469	2470	2471	2472	2496	2497
	900	2473	2474	2475	2476	2477	2478	2479	2498	2499
	1000	2480	2481	2482	2483	2484	2485	2486	2500	2501
	1200	2487	2488	2489	2490	2491	2492	2493	2502	2503
 T7	1400	2504	2505	2506	2507	2508	2509	2510	2518	2519
	1600	2511	2512	2513	2514	2515	2516	2517	2520	2521
 T8	500	2522	2523	2524	2525	2526	2527	2528	2557	2558
	700	2529	2530	2531	2532	2533	2534	2535	2559	2560
	900	2536	2537	2538	2539	2540	2541	2542	2561	2562
	1000	2543	2544	2545	2546	2547	2548	2549	2563	2564
	1200	2550	2551	2552	2553	2554	2555	2556	2565	2566

CODIGOS MUEBLE COMPLETO  
CODES FOR COMPLETE CHECK-OUT



S I N D A D O A U X I L I A R  
W I T H O U T A U X I L I A R Y D E S K

D E R E C H O		D3							D4		
		1530	1730	1930	2130	2330	2530	2730	1530	1730	
	<b>T1</b>	500	2567	2568	2569	2570	2571	2572	2573	2609	2610
		700	2574	2575	2576	2577	2578	2579	2580	2611	2612
		900	2581	2582	2583	2584	2585	2586	2587	2613	2614
		1000	2588	2589	2590	2591	2592	2593	2594	2615	2616
		1200	2595	2596	2597	2598	2599	2600	2601	2617	2618
	<b>T2</b>	1200	2621	2622	2623	2624	2625	2626	2627	2635	2636
		1400	2628	2629	2630	2631	2632	2633	2634	2637	2638
	<b>T3</b>	500	2639	2640	2641	2642	2643	2644	2645	2674	2675
		700	2646	2647	2648	2649	2650	2651	2652	2676	2677
		900	2653	2654	2655	2656	2657	2658	2659	2678	2679
		1200	2660	2661	2662	2663	2664	2665	2666	2680	2681
	<b>T4</b>	1200	2684	2685	2686	2687	2688	2689	2690	2698	2699
		1400	2691	2692	2693	2694	2695	2696	2697	2700	2701
	<b>T5</b>	1400	2702	2703	2704	2705	2706	2707	2708	2716	2717
		1600	2709	2710	2711	2712	2713	2714	2715	2718	2719
	<b>T6</b>	500	2720	2721	2722	2723	2724	2725	2726	2755	2756
		700	2727	2728	2729	2730	2731	2732	2733	2757	2758
		900	2734	2735	2736	2737	2738	2739	2740	2759	2760
		1000	2741	2742	2743	2744	2745	2746	2747	2761	2762
	<b>T7</b>	1400	2748	2749	2750	2751	2752	2753	2754	2763	2764
		1600	2765	2766	2767	2768	2769	2770	2771	2779	2780
	<b>T7</b>	1600	2772	2773	2774	2775	2776	2777	2778	2781	2782
		500	2783	2784	2785	2786	2787	2788	2789	2818	2819
	<b>T8</b>	700	2790	2791	2792	2793	2794	2795	2796	2820	2821
		900	2797	2798	2799	2800	2801	2802	2803	2822	2823
		1000	2804	2805	2806	2807	2808	2809	2810	2824	2825
		1200	2811	2812	2813	2814	2815	2816	2817	2826	2827
		1200	2818	2819	2820	2821	2822	2823	2824	2825	2826

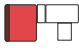
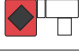
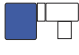

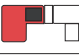
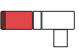
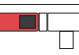

C O D I G O S M U E B L E C O M P L E T O  
C O D E S F O R C O M P L E T E C H E C K - O U T

I Z Q U I E R D O L E F T		D3							D4		
		1530	1730	1930	2130	2330	2530	2730	1530	1730	
	<b>T1</b>	500	2828	2829	2830	2831	2832	2833	2834	2870	2871
		700	2835	2836	2837	2838	2839	2840	2841	2872	2873
		900	2842	2843	2844	2845	2846	2847	2848	2874	2875
		1000	2849	2850	2851	2852	2853	2854	2855	2876	2877
		1200	2856	2857	2858	2859	2860	2861	2862	2878	2879
	<b>T2</b>	1200	2863	2864	2865	2866	2867	2868	2869	2880	2881
		1400	2882	2883	2884	2885	2886	2887	2888	2896	2897
	<b>T2</b>	1400	2889	2890	2891	2892	2893	2894	2895	2898	2899
		500	2900	2901	2902	2903	2904	2905	2906	2935	2936
	<b>T3</b>	700	2907	2908	2909	2910	2911	2912	2913	2937	2938
		900	2914	2915	2916	2917	2918	2919	2920	2939	2940
		1000	2921	2922	2923	2924	2925	2926	2927	2941	2942
		1200	2928	2929	2930	2931	2932	2933	2934	2943	2944
	<b>T4</b>	1200	2945	2946	2947	2948	2949	2950	2951	2959	2960
		1400	2952	2953	2954	2955	2956	2957	2958	2961	2962
	<b>T5</b>	1400	2963	2964	2965	2966	2967	2968	2969	2977	2978
		1600	2970	2971	2972	2973	2974	2975	2976	2979	2980
	<b>T6</b>	500	2981	2982	2983	2984	2985	2986	2987	3016	3017
		700	2988	2989	2990	2991	2992	2993	2994	3018	3019
		900	2995	2996	2997	2998	2999	3000	3001	3020	3021
		1000	3002	3003	3004	3005	3006	3007	3008	3022	3023
	<b>T7</b>	1200	3009	3010	3011	3012	3013	3014	3015	3024	3025
		1400	3026	3027	3028	3029	3030	3031	3032	3040	3041
	<b>T7</b>	1600	3033	3034	3035	3036	3037	3038	3039	3042	3043
		500	3044	3045	3046	3047	3048	3049	3050	3079	3080
	<b>T8</b>	700	3051	3052	3053	3054	3055	3056	3057	3081	3082
		900	3058	3059	3060	3061	3062	3063	3064	3083	3084
		1000	3065	3066	3067	3068	3069	3070	3071	3085	3086
		1200	3072	3073	3074	3075	3076	3077	3078	3087	3088
		1200	3079	3080	3081	3082	3083	3084	3085	3086	3087


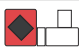
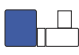
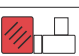


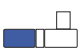
C O D I G O S M U E B L E C O M P L E T O  
C O D E S F O R C O M P L E T E C H E C K - O U T



CON DADO AUXILIAR  
WITH AUXILIARY DESK

DERECHO RIGHT		D1							D2	
		1530	1730	1930	2130	2330	2530	2730	1530	1730
 <b>T1</b>	<b>500</b>	1000	1001	1002	1003	1004	1005	1006	1042	1043
	<b>700</b>	1007	1008	1009	1010	1011	1012	1013	1044	1045
	<b>900</b>	1014	1015	1016	1017	1018	1019	1020	1046	1047
	<b>1000</b>	1021	1022	1023	1024	1025	1026	1027	1048	1049
	<b>1200</b>	1028	1029	1030	1031	1032	1033	1034	1050	1051
 <b>T2</b>	<b>1200</b>	1054	1055	1056	1057	1058	1059	1060	1068	1069
	<b>1400</b>	1061	1062	1063	1064	1065	1066	1067	1070	1071
 <b>T3</b>	<b>500</b>	1072	1073	1074	1074	1076	1077	1078	1107	1108
	<b>700</b>	1079	1080	1081	1082	1083	1084	1085	1109	1110
	<b>900</b>	1086	1087	1088	1089	1090	1091	1092	1111	1112
	<b>1000</b>	1093	1094	1095	1096	1097	1098	1099	1113	1114
 <b>T4</b>	<b>1200</b>	1117	1118	1119	1120	1121	1122	1123	1131	1132
	<b>1400</b>	1124	1125	1126	1127	1128	1129	1130	1132	1133
 <b>T5</b>	<b>1400</b>	1134	1135	1136	1137	1138	1139	1140	1148	1149
	<b>1600</b>	1141	1142	1143	1144	1145	1146	1147	1150	1151
 <b>T6</b>	<b>500</b>	1152	1153	1154	1155	1156	1157	1158	1187	1188
	<b>700</b>	1159	1160	1161	1162	1163	1164	1165	1189	1190
	<b>900</b>	1166	1167	1168	1169	1170	1171	1172	1191	1192
	<b>1000</b>	1173	1174	1175	1176	1177	1178	1179	1193	1194
 <b>T7</b>	<b>1400</b>	1197	1198	1199	1200	1201	1202	1203	1211	1212
	<b>1600</b>	1204	1205	1206	1207	1208	1209	1210	1213	1214
 <b>T8</b>	<b>500</b>	1215	1216	1217	1218	1219	1220	1221	1250	1251
	<b>700</b>	1222	1223	1224	1225	1226	1227	1228	1252	1253
	<b>900</b>	1229	1230	1231	1232	1233	1234	1235	1254	1255
	<b>1000</b>	1236	1237	1238	1239	1240	1241	1242	1256	1257
	<b>1200</b>	1243	1244	1245	1246	1247	1248	1249	1258	1259

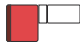


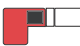

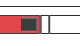

CODIGOS MUEBLE COMPLETO  
CODES FOR COMPLETE CHECK-OUT

IZQUIERDO LEFT		D1							D2	
		1530	1730	1930	2130	2330	2530	2730	1530	1730
 <b>T1</b>	<b>500</b>	1260	1261	1262	1263	1264	1265	1266	1302	1303
	<b>700</b>	1267	1268	1269	1270	1271	1272	1273	1304	1305
	<b>900</b>	1274	1275	1276	1277	1278	1279	1280	1306	1307
	<b>1000</b>	1281	1282	1283	1284	1285	1286	1287	1308	1309
	<b>1200</b>	1288	1289	1290	1291	1292	1293	1294	1310	1311
 <b>T2</b>	<b>1200</b>	1314	1315	1316	1317	1318	1319	1320	1328	1329
	<b>1400</b>	1321	1322	1323	1324	1325	1326	1327	1330	1331
 <b>T3</b>	<b>500</b>	1332	1333	1334	1335	1336	1337	1338	1367	1368
	<b>700</b>	1339	1340	1341	1342	1343	1344	1345	1369	1370
	<b>900</b>	1346	1347	1348	1349	1350	1351	1352	1371	1372
	<b>1000</b>	1353	1354	1355	1356	1357	1358	1359	1373	1374
 <b>T4</b>	<b>1200</b>	1377	1378	1379	1380	1381	1382	1383	1391	1392
	<b>1400</b>	1384	1385	1386	1387	1388	1389	1390	1393	1394
 <b>T5</b>	<b>1400</b>	1395	1396	1397	1398	1399	1400	1401	1409	1410
	<b>1600</b>	1402	1403	1404	1405	1406	1407	1408	1411	1412
 <b>T6</b>	<b>500</b>	1413	1414	1415	1416	1417	1418	1419	1448	1449
	<b>700</b>	1420	1421	1422	1423	1424	1425	1426	1450	1451
	<b>900</b>	1427	1428	1429	1430	1431	1432	1433	1452	1453
	<b>1000</b>	1434	1435	1436	1437	1438	1439	1440	1454	1455
	<b>1200</b>	1441	1442	1443	1444	1445	1446	1447	1456	1457
 <b>T8</b>	<b>500</b>	1476	1477	1478	1479	1480	1481	1482	1511	1512
	<b>700</b>	1483	1484	1485	1486	1487	1488	1489	1513	1514
	<b>900</b>	1490	1491	1492	1493	1494	1495	1496	1515	1516
	<b>1000</b>	1497	1498	1499	1500	1501	1502	1503	1517	1518
	<b>1200</b>	1504	1505	1506	1507	1508	1509	1510	1519	1520








CODIGOS MUEBLE COMPLETO  
CODES FOR COMPLETE CHECK-OUT



S I N D A D O A U X I L I A R  
W I T H O U T A U X I L I A R Y D E S K

DERECHO RIGHT		D3							D4	
		1530	1730	1930	2130	2330	2530	2730	1530	1730
 T1	500	1521	1522	1523	1524	1525	1526	1527	1563	1564
	700	1528	1529	1530	1531	1532	1533	1534	1565	1566
	900	1535	1536	1537	1538	1539	1540	1541	1567	1568
	1000	1542	1543	1544	1545	1546	1547	1548	1569	1570
	1200	1549	1550	1551	1552	1553	1554	1555	1571	1572
 T2	1200	1575	1576	1577	1578	1579	1580	1581	1589	1590
	1400	1582	1583	1584	1585	1586	1587	1588	1591	1592
 T3	500	1593	1594	1595	1596	1597	1598	1599	1628	1629
	700	1600	1601	1602	1603	1604	1605	1606	1630	1631
	900	1607	1608	1609	1610	1611	1612	1613	1632	1633
	1000	1614	1615	1616	1617	1618	1619	1620	1634	1635
 T4	1200	1638	1639	1640	1641	1642	1643	1644	1652	1653
	1400	1645	1646	1647	1648	1649	1650	1651	1654	1655
 T5	1400	1656	1657	1658	1659	1660	1661	1662	1670	1671
	1600	1663	1664	1665	1666	1667	1668	1669	1672	1673
 T6	500	1674	1675	1676	1677	1678	1679	1680	1709	1710
	700	1681	1682	1683	1684	1685	1686	1687	1711	1712
	900	1688	1689	1690	1691	1692	1693	1694	1713	1714
	1000	1695	1696	1697	1698	1699	1700	1701	1715	1716
 T7	1400	1719	1720	1721	1722	1723	1724	1725	1733	1734
	1600	1726	1727	1728	1729	1730	1731	1732	1735	1736
 T8	500	1737	1738	1739	1740	1741	1742	1743	1772	1773
	700	1744	1745	1746	1747	1748	1749	1750	1774	1775
	900	1751	1752	1753	1754	1755	1756	1757	1776	1777
	1000	1758	1759	1760	1761	1762	1763	1764	1778	1779
	1200	1765	1766	1767	1768	1769	1770	1771	1780	1781

C O D I G O S M U E B L E C O M P L E T O  
C O D E S F O R C O M P L E T E C H E C K - O U T

IZQUIERDO LEFT		D3							D4	
		1530	1730	1930	2130	2330	2530	2730	1530	1730
 T1	500	1782	1783	1784	1785	1786	1787	1788	1824	1825
	700	1789	1790	1791	1792	1793	1794	1795	1826	1827
	900	1796	1797	1798	1799	1800	1801	1802	1828	1829
	1000	1803	1804	1805	1806	1807	1808	1809	1830	1831
	1200	1810	1811	1812	1813	1814	1815	1816	1832	1833
 T2	1200	1836	1837	1838	1839	1840	1841	1842	1850	1851
	1400	1843	1844	1845	1846	1847	1848	1849	1852	1853
 T3	500	1854	1855	1856	1857	1858	1859	1860	1889	1890
	700	1861	1862	1863	1864	1865	1866	1867	1891	1892
	900	1868	1869	1870	1871	1872	1873	1874	1893	1894
	1000	1875	1876	1877	1878	1879	1880	1881	1895	1896
 T4	1200	1899	1900	1901	1902	1903	1904	1905	1913	1914
	1400	1906	1907	1908	1909	1910	1911	1912	1915	1916
 T5	1400	1917	1918	1919	1920	1921	1922	1923	1931	1932
	1600	1924	1925	1926	1927	1928	1929	1930	1933	1934
 T6	500	1935	1936	1937	1938	1939	1940	1941	1970	1971
	700	1942	1943	1944	1945	1946	1947	1948	1972	1973
	900	1949	1950	1951	1952	1953	1954	1955	1974	1975
	1000	1956	1957	1958	1959	1960	1961	1962	1976	1977
 T7	1200	1963	1964	1965	1966	1967	1968	1969	1978	1979
	1400	1970	1971	1972	1973	1974	1975	1976	1980	1981
 T8	500	2000	2005	2010	2015	2020	2025	2030	2035	2040
	700	2001	2006	2011	2016	2021	2026	2031	2036	2041
	900	2002	2007	2012	2017	2022	2027	2032	2037	2042
	1000	2003	2008	2013	2018	2023	2028	2033	2038	2043
	1200	2004	2009	2014	2019	2024	2029	2034	2039	2044

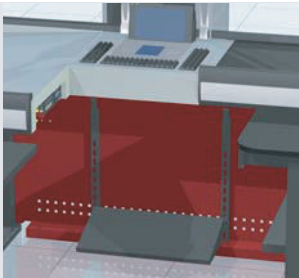
C O D I G O S M U E B L E C O M P L E T O  
C O D E S F O R C O M P L E T E C H E C K - O U T





EAHEGS

ESPEJO ANTI-HURTO SUPERIOR  
ANTI-THEFT MIRROR



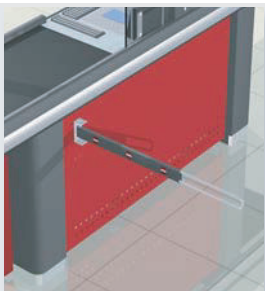
RREG

REPOSAPIES REGULABLE EN ALTURA  
HEIGHT ADJUSTABLE FOOTREST



CPPM

CIERRAPASOS REGULABLE  
ADJUSTABLE PROHIBITED ACCESS GATE



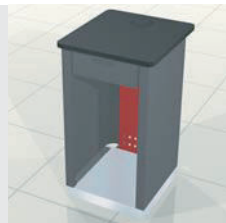
CPEG

CIERRA PASOS EXTENSIBLE "ERGO"  
"ERGO" EXTENDABLE PROHIBITED ACCESS GATE

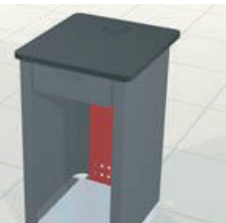


CPE

CIERRA PASOS EXTENSIBLE  
EXTENDABLE PROHIBITED ACCESS GATE



DCB4448



DCB5667

DADO COBRADOR 440 X 480 X 735  
AUXILIARY TABLE 440 X 480 X 735  
AUXILIARY TABLE 560 X 670 X 820



CAEEG

PMC

CUADRO AUXILIAR DE ENCHUFES  
PEDAL DE CONTROL  
AUXILIARY SOCKET BOX  
CONVEYOR BELT PEDAL



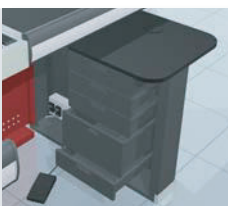
CFAMC

FOTOCÉLULA  
PHOTOELECTRIC CELL



DESPEG

DESVIADOR DE PRODUCTO  
PRODUCT DEVIATOR



CASEG

CADEG

CAJON SIMPLE  
CAJON DOBLE CAPACIDAD  
SINGLE DRAWER  
DOUBLE DRAWER



STEG-320

STEG-400

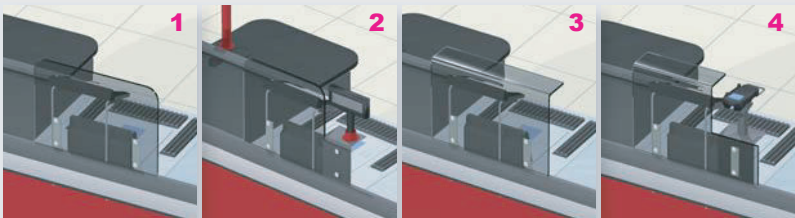
STEG-500

SOPORTE TECLADO - ( 320,400 Y 500 mm.)  
KEYBOARD HOLDER

CUSTOMER DISPLAY POLE



AMPLIA GAMA DE COLORES "RAL"  
EN TODA NUESTRAS LINEAS DE CHECK-OUT  
LARGE RANGE OF COLOURS "RAL"  
IN EVERY LINE OF CHECK-OUT



MTZT1

MTZT2

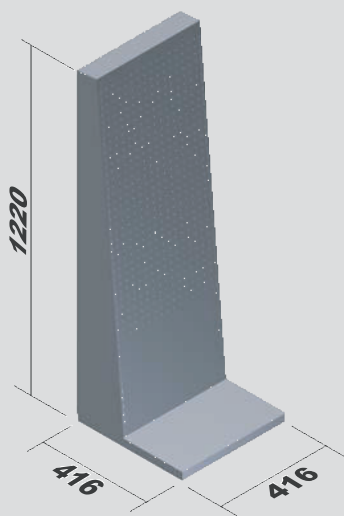
MTZT3

MTZT4

METACRILATO PROTECTOR ZONA DE TRABAJO  
METHACRYLATE PROTECTOR WORKING AREA



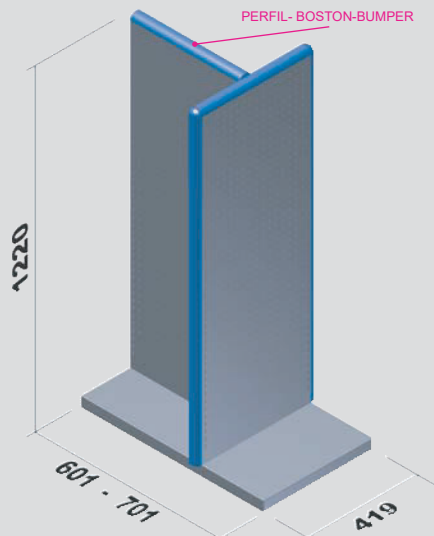
MODELO **1** MODEL



MODULO ANTE-CAJA PIRAMIDAL  
PYRAMIDAL FRONT CHECK-OUT MODULE

**2600**

MODELO **2** MODEL

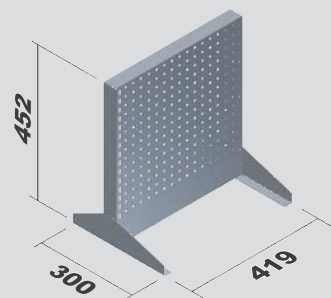


MODULO ANTE-CAJA GONDOLA  
GONDOLA FRONT CHECK-OUT MODULE

**601** **2601**

**701** **2602**

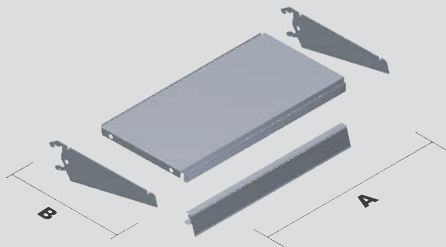
MODELO **3** MODEL



MODULO ANTE-CAJA ENCIMERA  
COUNTERTOP FRONT CHECK-OUT MODULE

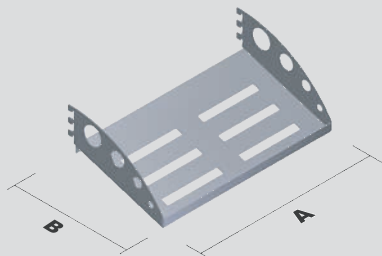
**2622**

CONJUNTO ESTANTE CON CARTELAS STANDARD  
SHELF SET WITH STANDARD BRACKETS



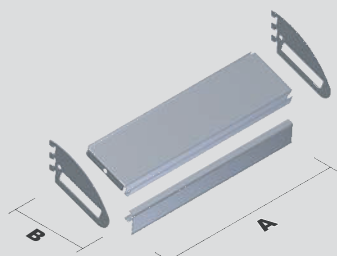
		A	
		40	60
B	10	2630	2631
	20	2632	2633
	30	2634	2635

CONJUNTO ESTANTE "EB-1"  
SHELF SET "EB"



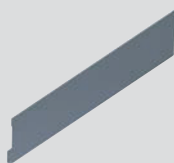
		A	
		40	60
B	10	2640	2641
	20	2642	2643
	30	2644	2645

CONJUNTO ESTANTE CON CARTELAS "EB-2"  
SHELF SET WITH BRACKETS "EB-2"



		A	
		40	60
B	10	2650	2651
	20	2652	2653
	30	2654	2655

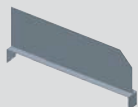
BALCON DE CHAPA  
STEEL PLATE



**BCH406**

**BCH606**

SEPARADOR DE CHAPA  
DIVIDER OF STEEL PLATE



**SCH106**

**SCH206**

**SCH306**

LATERAL ANTE-CAJA PIRAMIDAL  
PYRAMIDAL FRONT CHECK-OUT SIDE



**LACP**

GANCHO SIMPLE  
SIMPLE HOOK



**GS10**

**GS20**

**GS30**

GANCHO SIMPLE PORTAETIQUETAS  
PRICE RAIL SIMPLE HOOK



**GSP10**

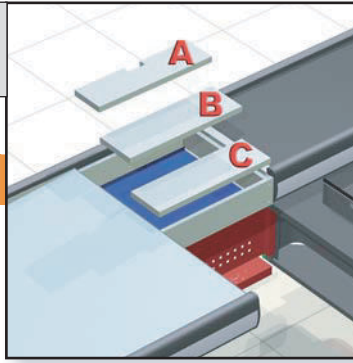
**GSP20**

**GSP30**



**CONCEPTO MODULAR DE LA ZONA DE TRABAJO.**

COMBINANDO LAS TRES ZONAS DEFINIDAS  
PODREMOS COMPOSER MÚLTIPLES OPCIONES

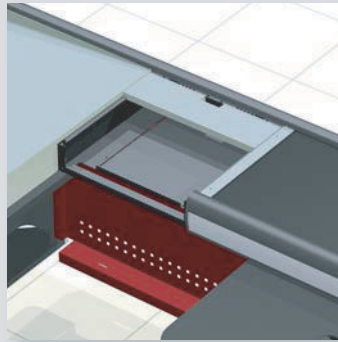
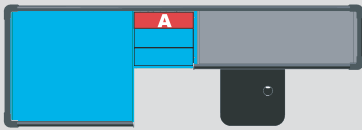


**DIVISION** DE LA ZONA DE TRABAJO

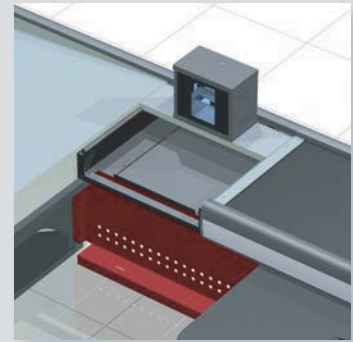
**DIVISION** OF WORKING AREA

**MODULAR CONCEPT OF WORKING AREA**

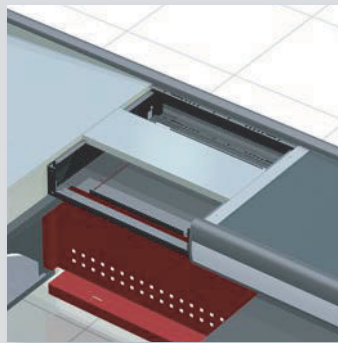
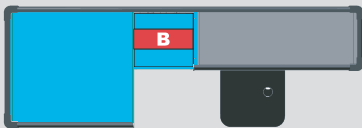
MIXING THE THREE AREAS DEFINED, WE CAN COMPOSE SEVERAL OPTIONS



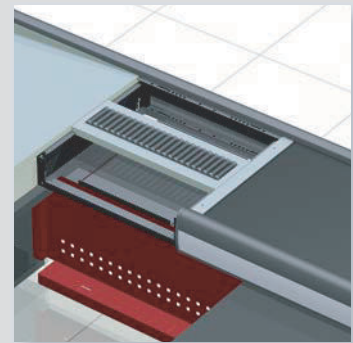
**ZT-A1**



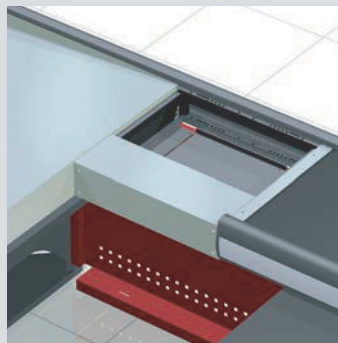
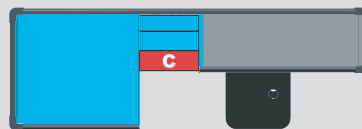
**ZT-A2**



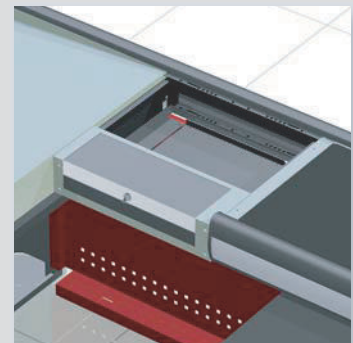
**ZT-B1**



**ZT-B2**



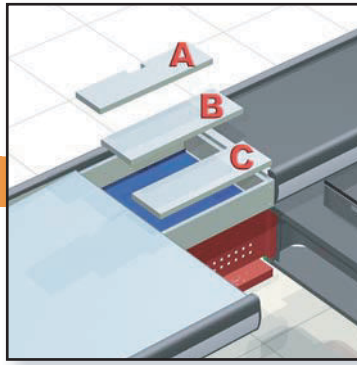
**ZT-C1**



**ZT-C2**

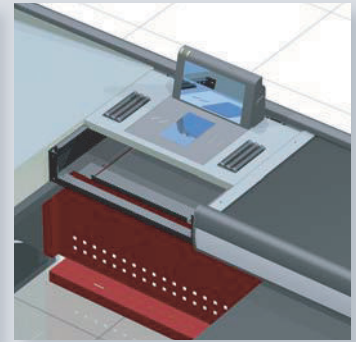
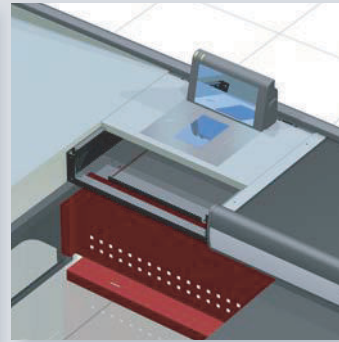
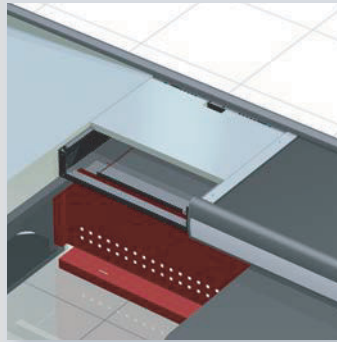
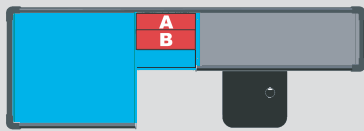
COMPOSICIONES PARA ZONA DE TRABAJO

COMBINATIONS OF WORKING AREA



DIVISION DE LA ZONA DE TRABAJO

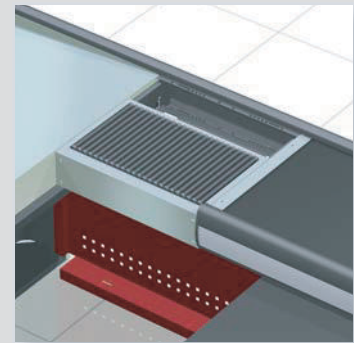
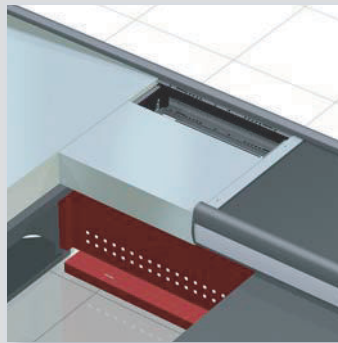
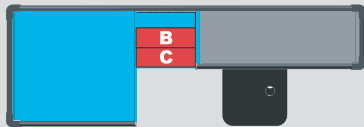
DIVISION OF WORKING AREA



ZT-AB1

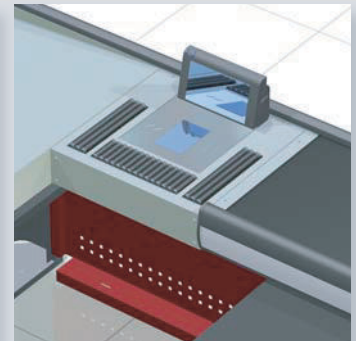
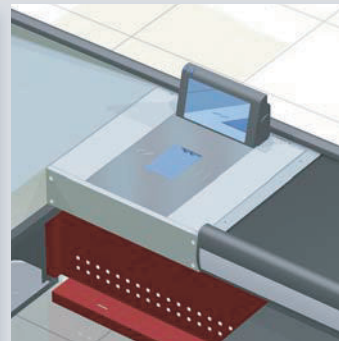
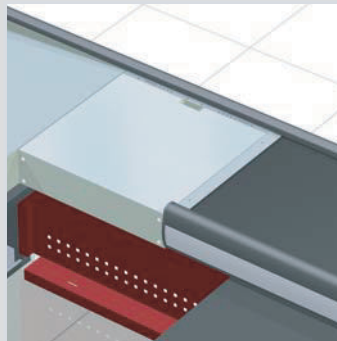
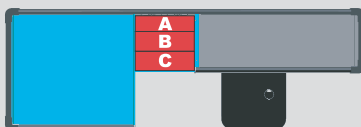
ZT-AB2

ZT-AB3



ZT-BC1

ZT-BC2



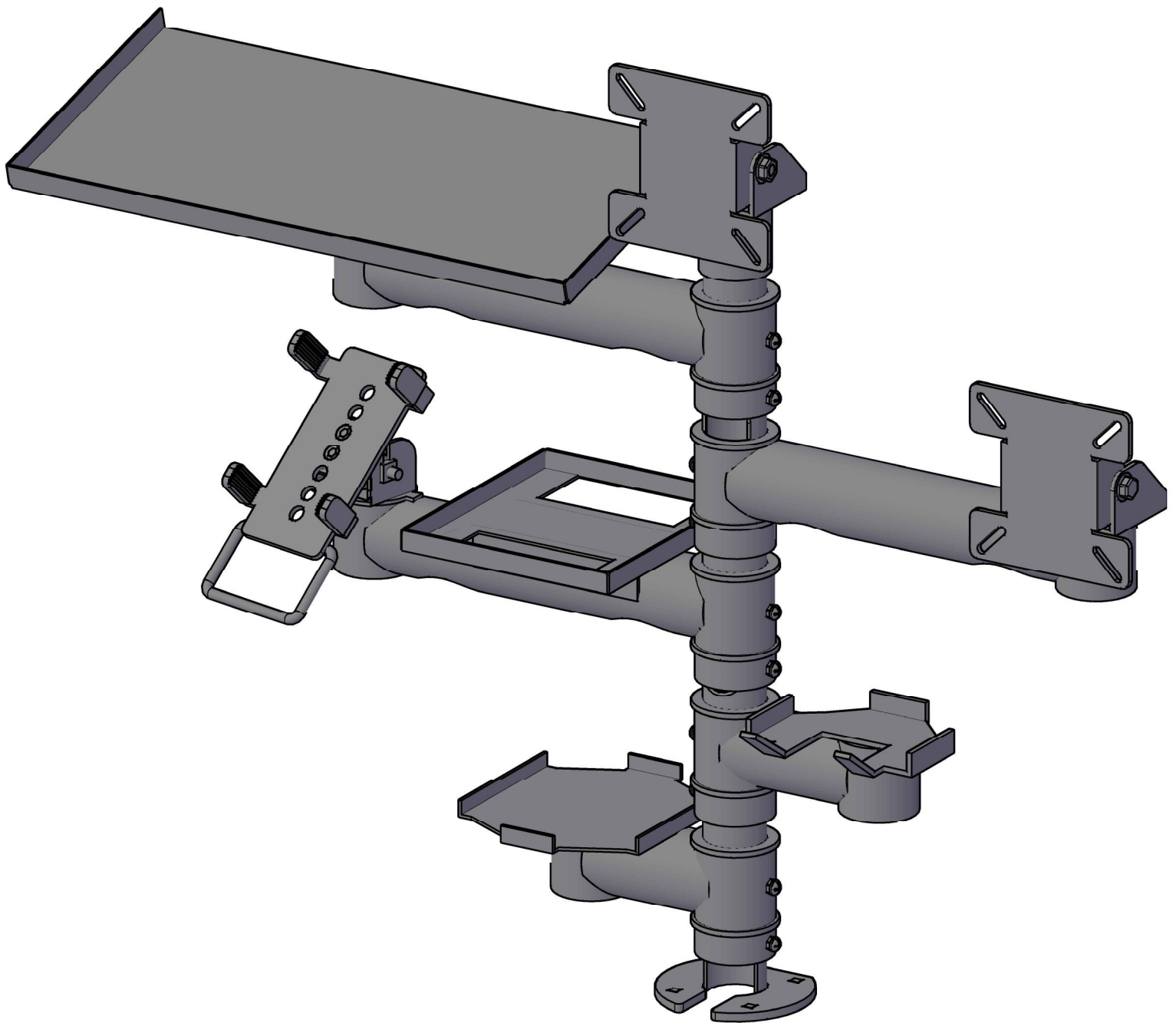
ZT-ABC1

ZT-ABC2



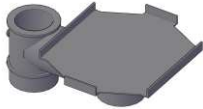

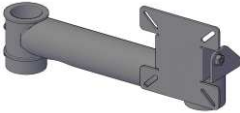
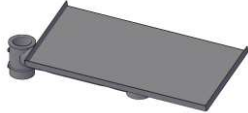
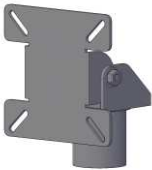
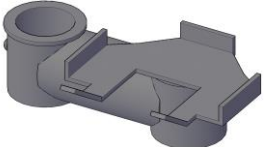

ZT-ABC3



# COMPOSICIÓN MULTIBRAZO: CÓDIGOS, PRECIOS Y DETALLES TÉCNICOS



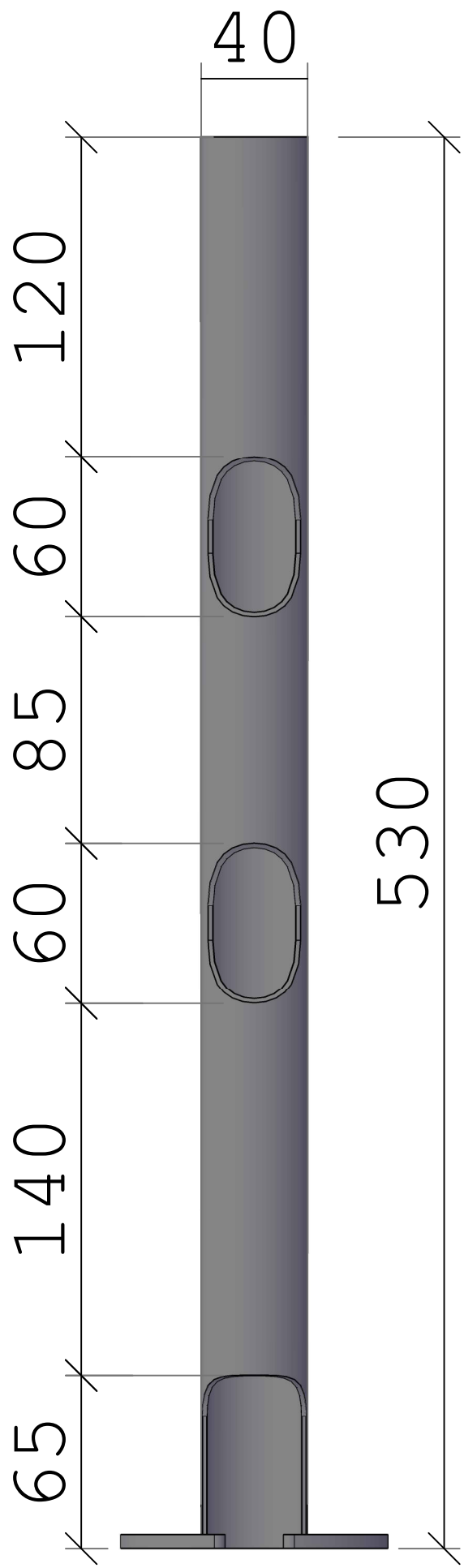
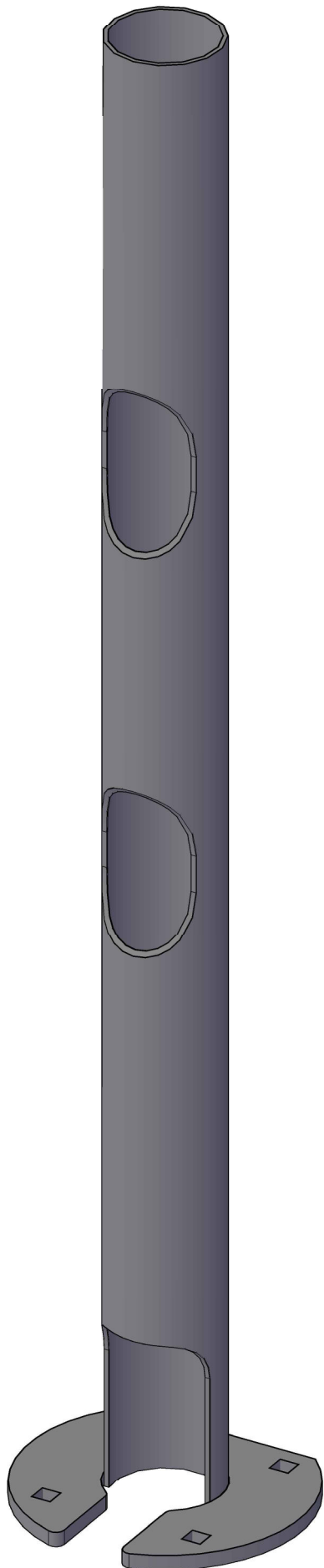
## Despiece Multibrazo

Pieza/Elemento	Foto	Código	P.V.P.	DETALLE TÉCN.
Tubo Soporte Central Multibrazo 530 D:40mm		TSCM530	25,74 €	Pag. 4
Bandeja Impresora y Soporte PIN-PAD		BIYSPP	71,12 €	Pag. 5
Bandeja Soporte Detector de Billetes		BSDB	37,88 €	Pag. 6
Soporte Pin-Pad		SPP	59,90 €	Pag. 7
Soporte Monitor para Multibrazo		SMM	63,40 €	Pag. 8
Soporte Teclado 410x190mm		SPM410	55,44 €	Pag. 9
Visor Monitor Cliente		VMC	32,84 €	Pag. 10
Soporte Pistola Lector Código de Barras		SPLCB	35,10 €	Pag. 11
Bandeja Impresora		BI	39,54 €	Pag. 12




<b>Soporte Pin-Pad Brazo Largo</b>		<b>SPPBL</b>	<b>63,45 €</b>	<b>Pag. 13</b>
<b>B. Soporte Detector de Billetes Brazo Largo</b>		<b>BSDBBL</b>	<b>41,46 €</b>	<b>Pag. 14</b>
<b>Bandeja Impresora Brazo Largo</b>		<b>BIBL</b>	<b>43,11 €</b>	<b>Pag. 15</b>

TUBO SOPORTE CENTRAL  
 MULTIBRAZO 530X40  
 (COD: TSCM530)

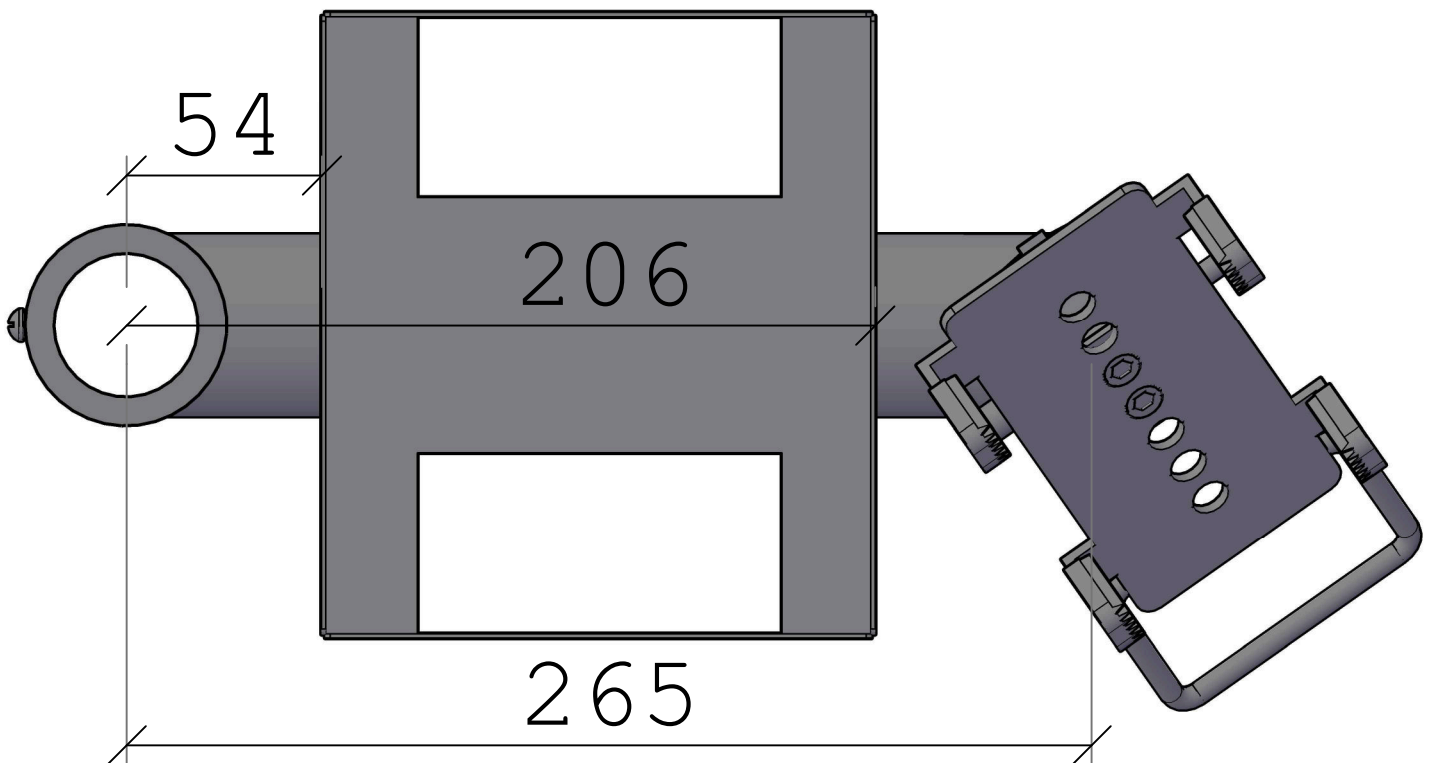
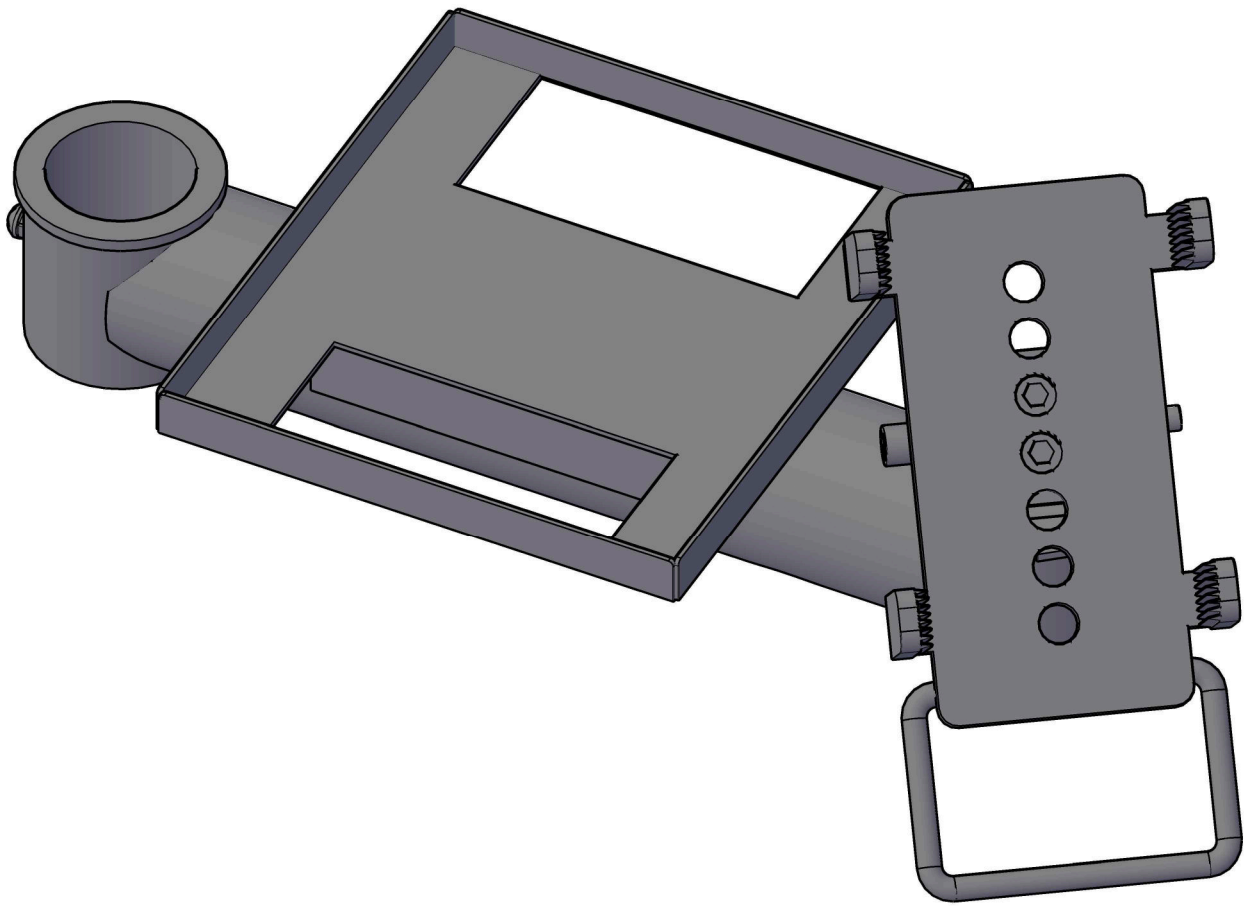


Detalle Técnico


TÍTULO Y REFERENCIA T. S. CENTRAL MULT. 530X40 (COD TSCM530)			
DIRECCIÓN		FECHA 01/10/2020	Nº PLANO 1
DIBUJADO POR EDGAR C.	T. COMERCIAL	ESCALA UNIDAD FORMATO	Nº OPCIÓN
			 TORREJÓN DE ARDOZ (MADRID) C/Hierro, 27 Telfs: 91 675 14 34 - 91 677 10 92 Fax: 91 677 82 33 <a href="http://www.marsanz.es">www.marsanz.es</a> <small>Estos planos son propiedad de CREACIONES MARSANZ S.A. siendo confidenciales para la parte a quien se confían, no debiendo reproducirse total ni parcialmente y, en ningún caso, utilizarse directa o indirectamente en perjuicio de CREACIONES MARSANZ S.A.</small>



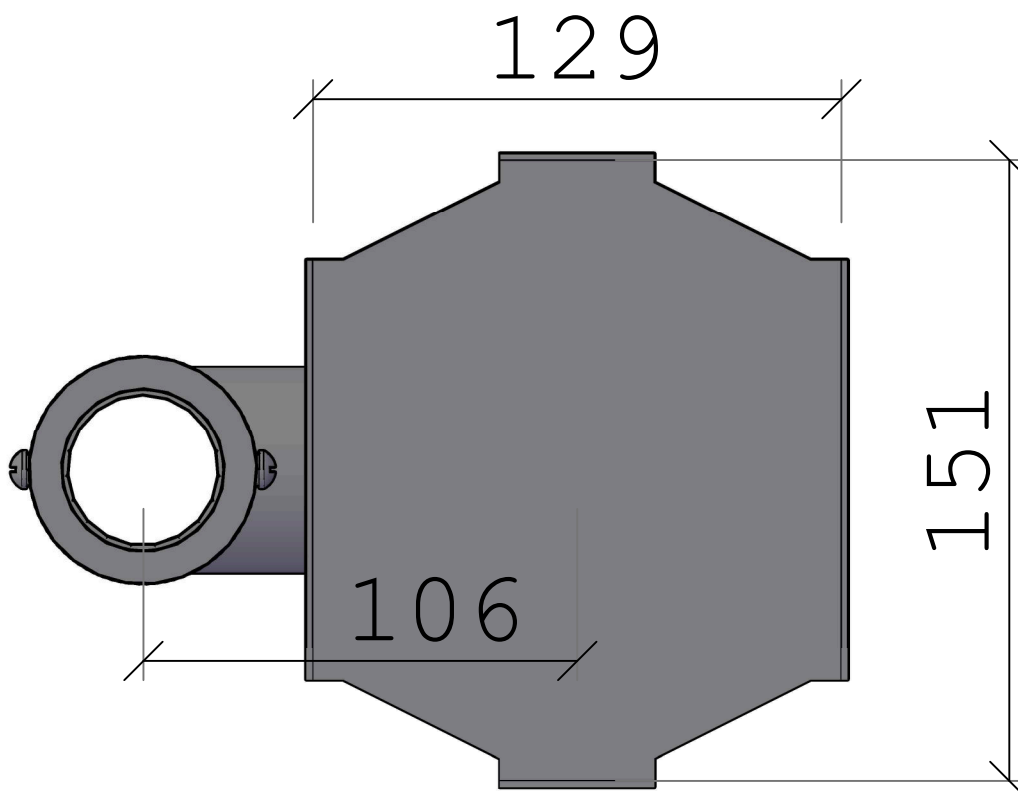
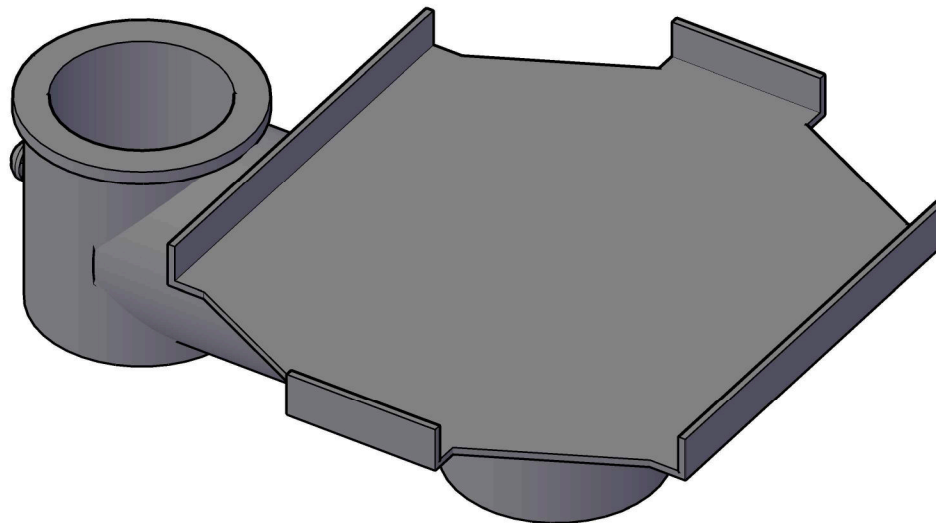
# BANDEJA IMPRESORA Y SOPORTE PINPAD (COD: BIYSPP)



Detalle Técnico

TÍTULO Y REFERENCIA BANEJA IMPRESORA Y PIN-PAD (COD. BIYSPP)		 TORREJÓN DE ARDOZ (MADRID) C/Hierro, 27 Telfs: 91 675 14 34 - 91 677 10 92 Fax: 91 677 82 33 <a href="http://www.marsanz.es">www.marsanz.es</a>	
DIRECCIÓN		FECHA 01/10/2020	Nº PLANO 2
DIBUJADO POR EDGAR C.	T. COMERCIAL	ESCALA UNIDAD FORMATO	Nº OPCIÓN
<small>Estos planos son propiedad de CREACIONES MARSANZ S.A. siendo confidenciales para la parte a quien se confían, no debiendo reproducirse total ni parcialmente y, en ningún caso, utilizarse directa o indirectamente en perjuicio de CREACIONES MARSANZ S.A.</small>			

# BANDEJA SOPORTE DETECTOR DE BILLETES (COD: BSDB)



Detalle Técnico

TÍTULO Y REFERENCIA B. SOPORTE DETECTOR BILLETES (COD. BSDB)			
DIRECCIÓN		FECHA 01/10/2020	Nº PLANO 3
DIBUJADO POR EDGAR C.	T. COMERCIAL	ESCALA UNIDAD FORMATO	Nº OPCIÓN

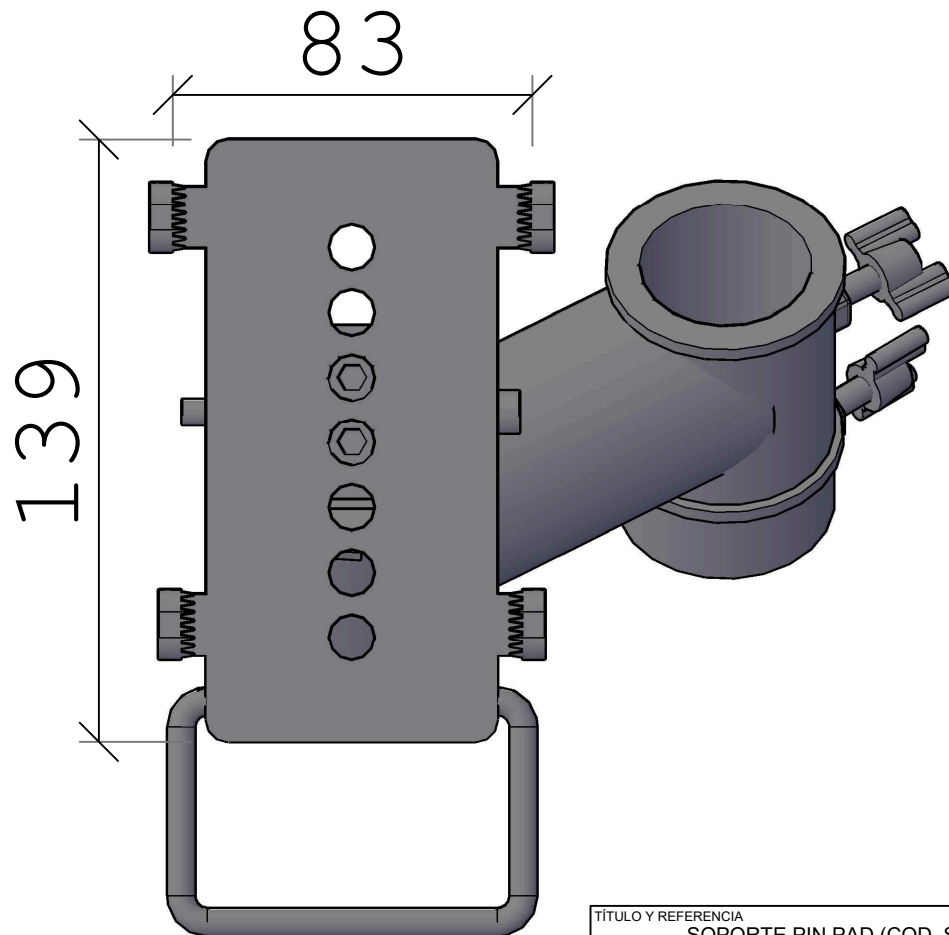
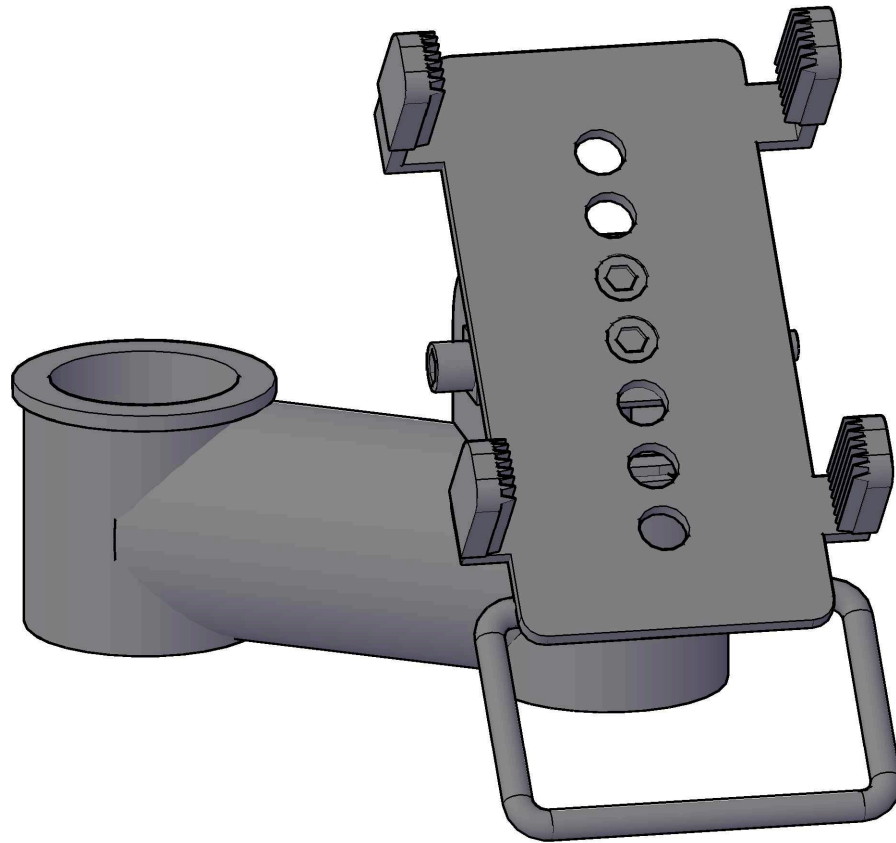


TORREJÓN DE ARDOZ (MADRID) C/Hierro, 27  
Telfs: 91 675 14 34 - 91 677 10 92 Fax: 91 677 82 33  
[www.marsanz.es](http://www.marsanz.es)


Estos planos son propiedad de CREACIONES MARSANZ S.A. siendo confidenciales para la parte a quien se confían, no debiendo reproducirse total ni parcialmente y, en ningún caso, utilizarse directa o indirectamente en perjuicio de CREACIONES MARSANZ S.A.



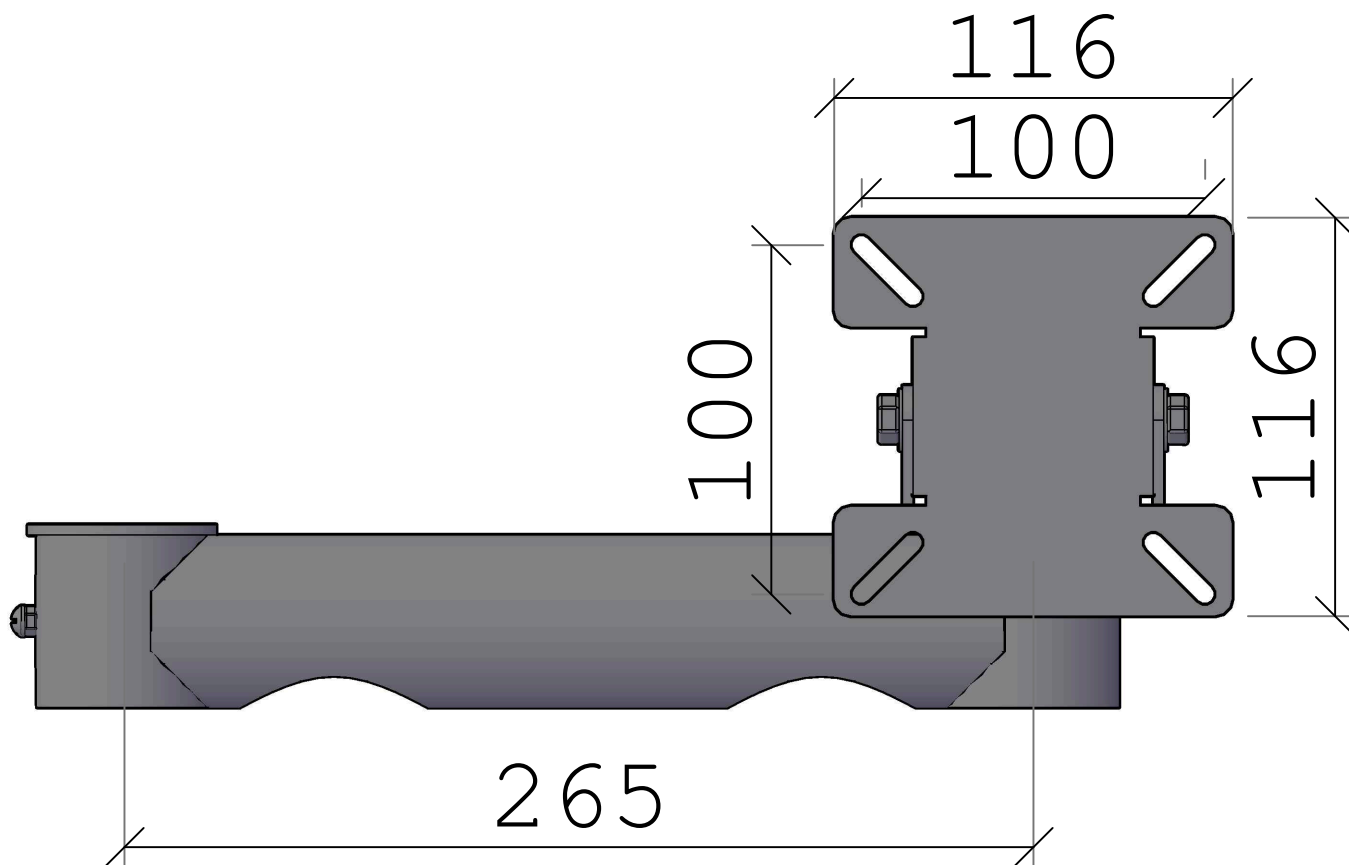
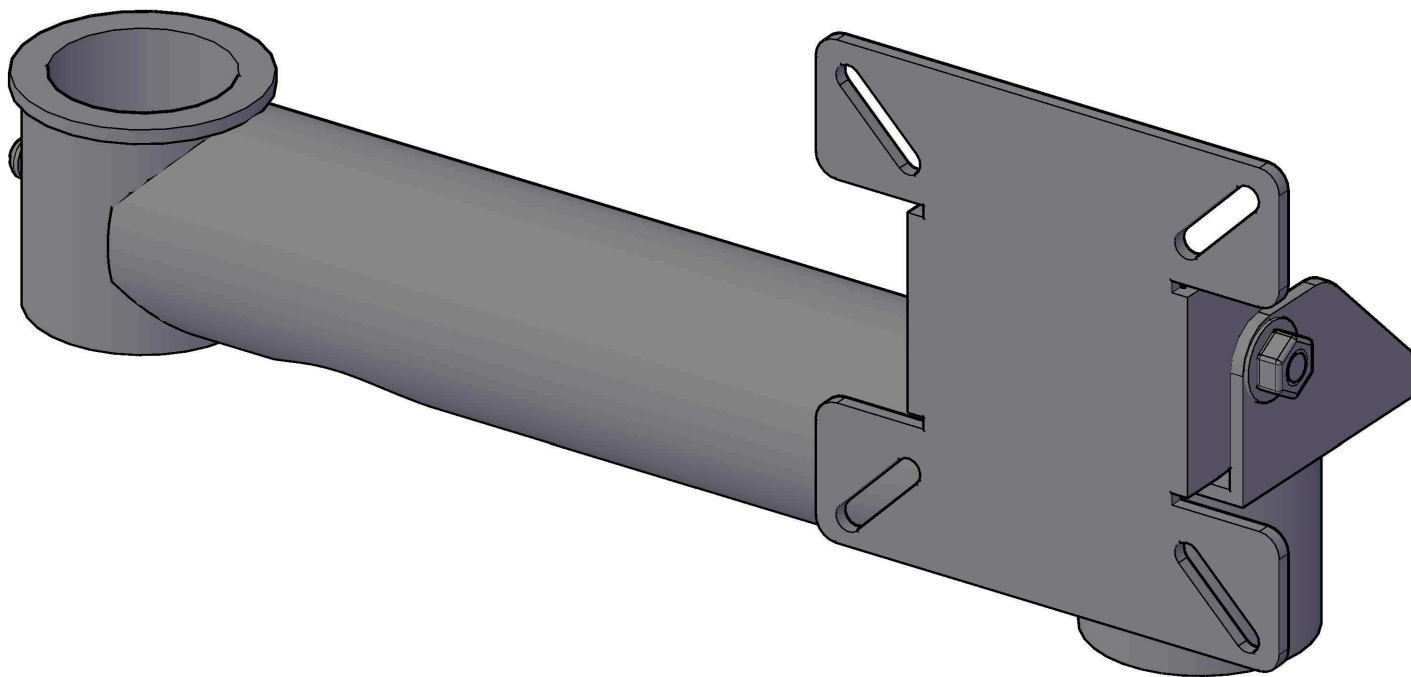
# SOPORTE PIN-PAD (COD: SPP)



Detalle Técnico

TÍTULO Y REFERENCIA SOPORTE PIN PAD (COD. SPP)		 TORREJÓN DE ARDOZ (MADRID) C/Hierro, 27 Telfs: 91 675 14 34 - 91 677 10 92 Fax: 91 677 82 33 <a href="http://www.marsanz.es">www.marsanz.es</a>	
DIRECCIÓN		FECHA 01/10/2020	Nº PLANO 4
DIBUJADO POR EDGAR C.	T. COMERCIAL	ESCALA UNIDAD FORMATO	Nº OPCIÓN
<small>Estos planos son propiedad de CREACIONES MARSANZ S.A. siendo confidenciales para la parte a quien se confían, no debiendo reproducirse total ni parcialmente y, en ningún caso, utilizarse directa o indirectamente en perjuicio de CREACIONES MARSANZ S.A.</small>			

# SOPORTE MONITOR MULTIBRAZO (COD: SMM)

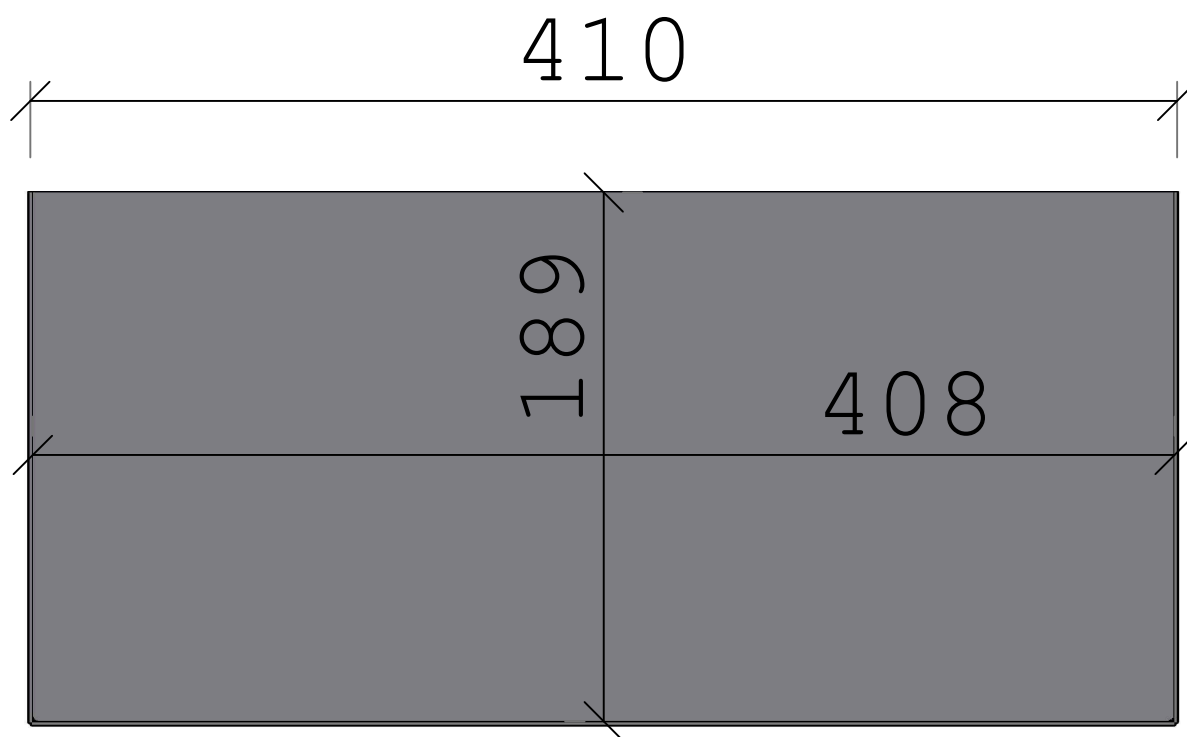
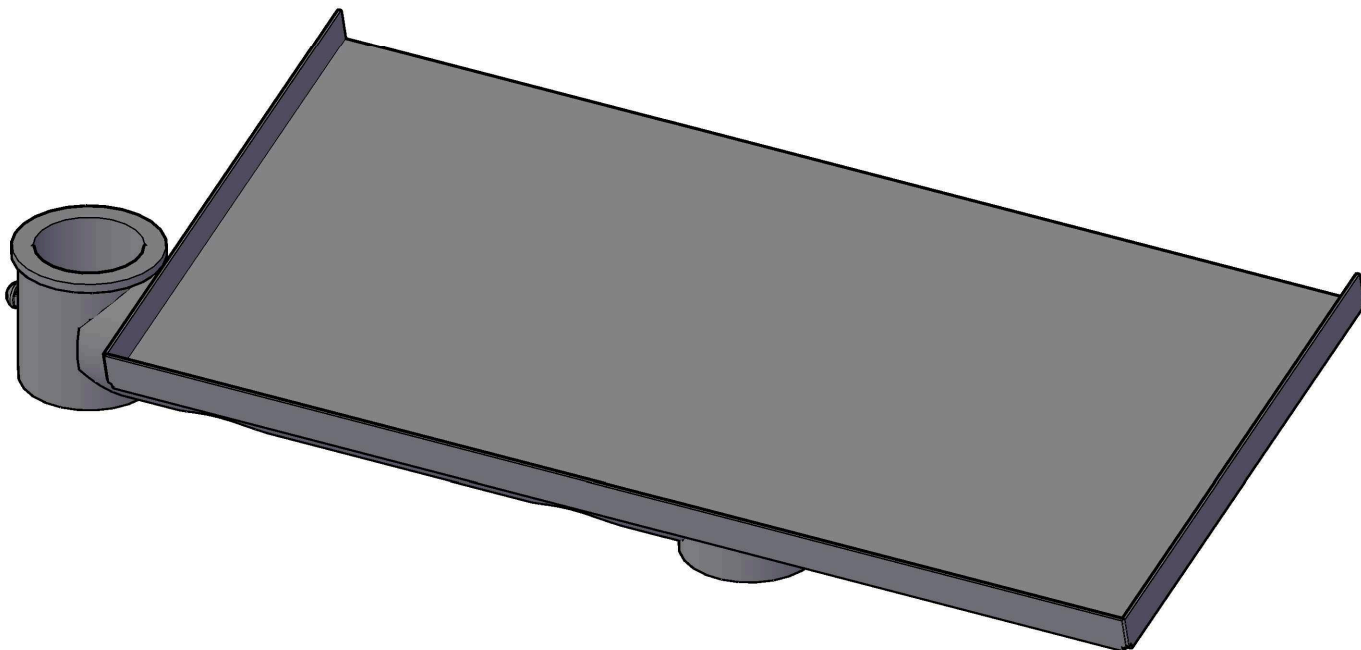


Detalle Técnico


TÍTULO Y REFERENCIA SOPORTE MONITOR MULTIBRAZO (COD. SMM)				 TORREJÓN DE ARDOZ (MADRID) C/Hierro, 27 Telfs: 91 675 14 34 - 91 677 10 92 Fax: 91 677 82 33 <a href="http://www.marsanz.es">www.marsanz.es</a>	
DIRECCIÓN		FECHA 01/10/2020	Nº PLANO 5	Estos planos son propiedad de CREACIONES MARSANZ S.A. siendo confidenciales para la parte a quien se confían, no debiendo reproducirse total ni parcialmente y, en ningún caso, utilizarse directa o indirectamente en perjuicio de CREACIONES MARSANZ S.A.	
DIBUJADO POR EDGAR C.	T. COMERCIAL	ESCALA UNIDAD FORMATO	Nº OPCIÓN		



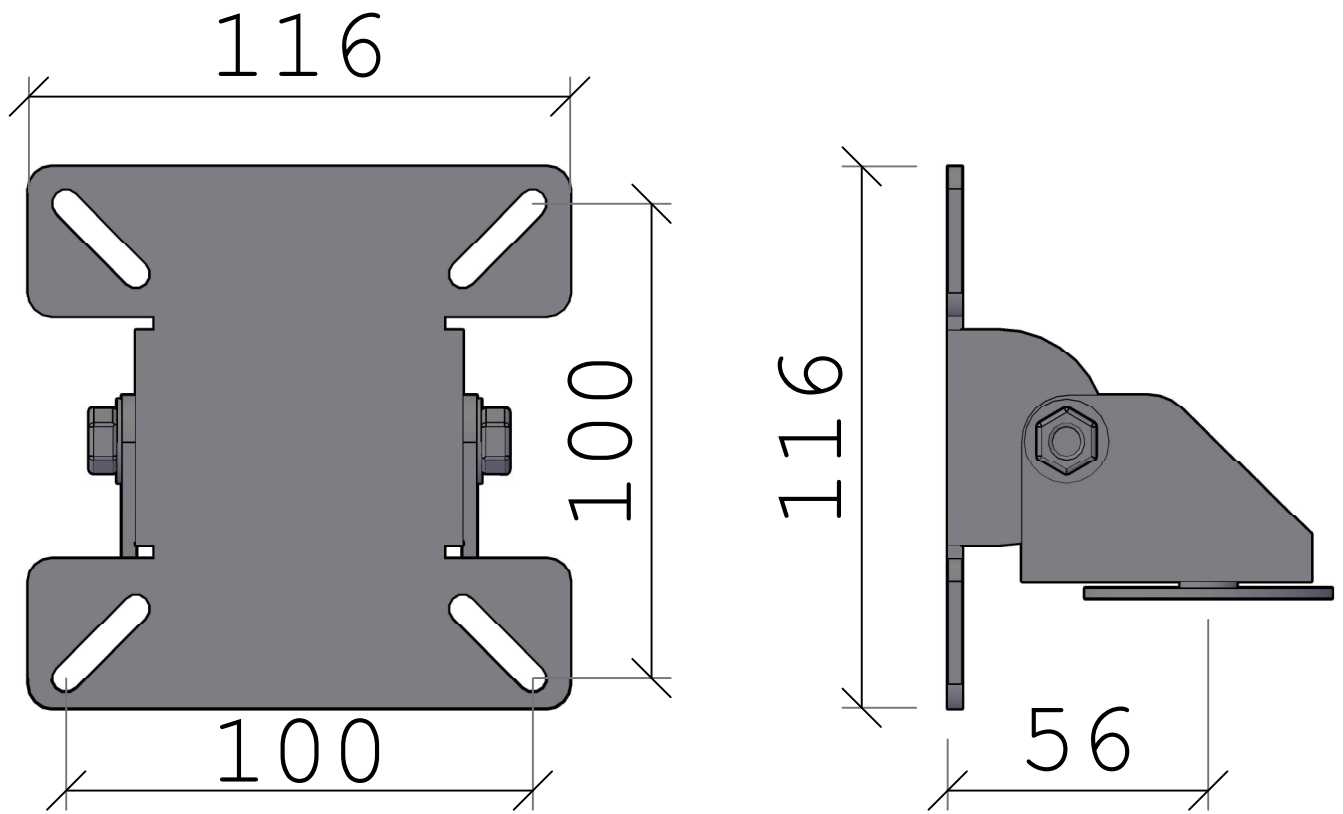
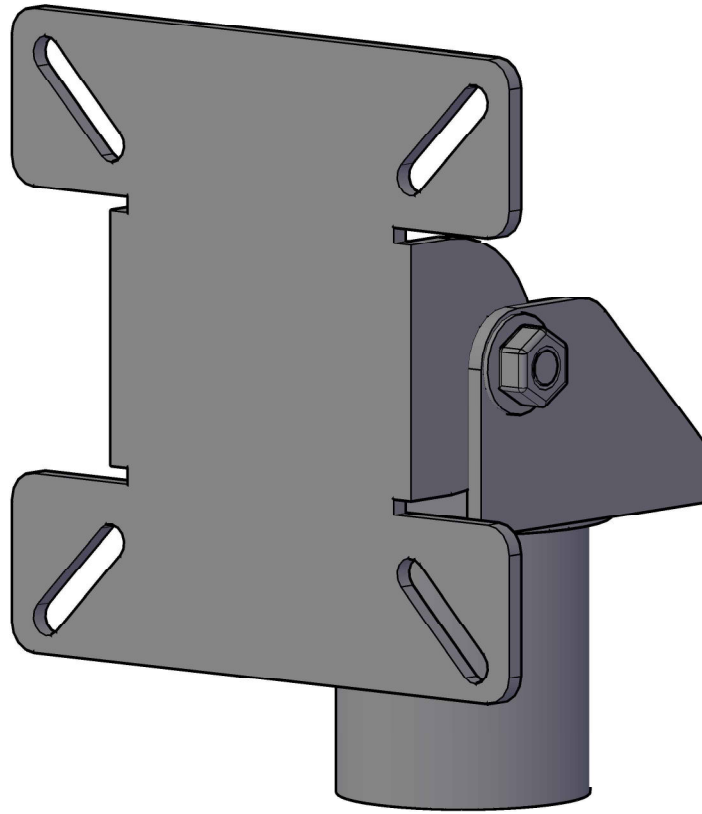
# SOPORTE TECLADO 410X190 (COD: STM410)




Detalle Técnico

TÍTULO Y REFERENCIA SOPORTE TECLADO 410X190 (COD. STM410)		 TORREJÓN DE ARDOZ (MADRID) C/Hierro, 27 Telfs: 91 675 14 34 - 91 677 10 92 Fax: 91 677 82 33 <a href="http://www.marsanz.es">www.marsanz.es</a>	
DIRECCIÓN		FECHA 01/10/2020	Nº PLANO 6
DIBUJADO POR EDGAR C.	T. COMERCIAL	ESCALA UNIDAD FORMATO	Nº OPCIÓN
<small>Estos planos son propiedad de CREACIONES MARSANZ S.A. siendo confidenciales para la parte a quien se confían, no debiendo reproducirse total ni parcialmente y, en ningún caso, utilizarse directa o indirectamente en perjuicio de CREACIONES MARSANZ S.A.</small>			

# VISOR MONITOR CLIENTE (COD: VMC)

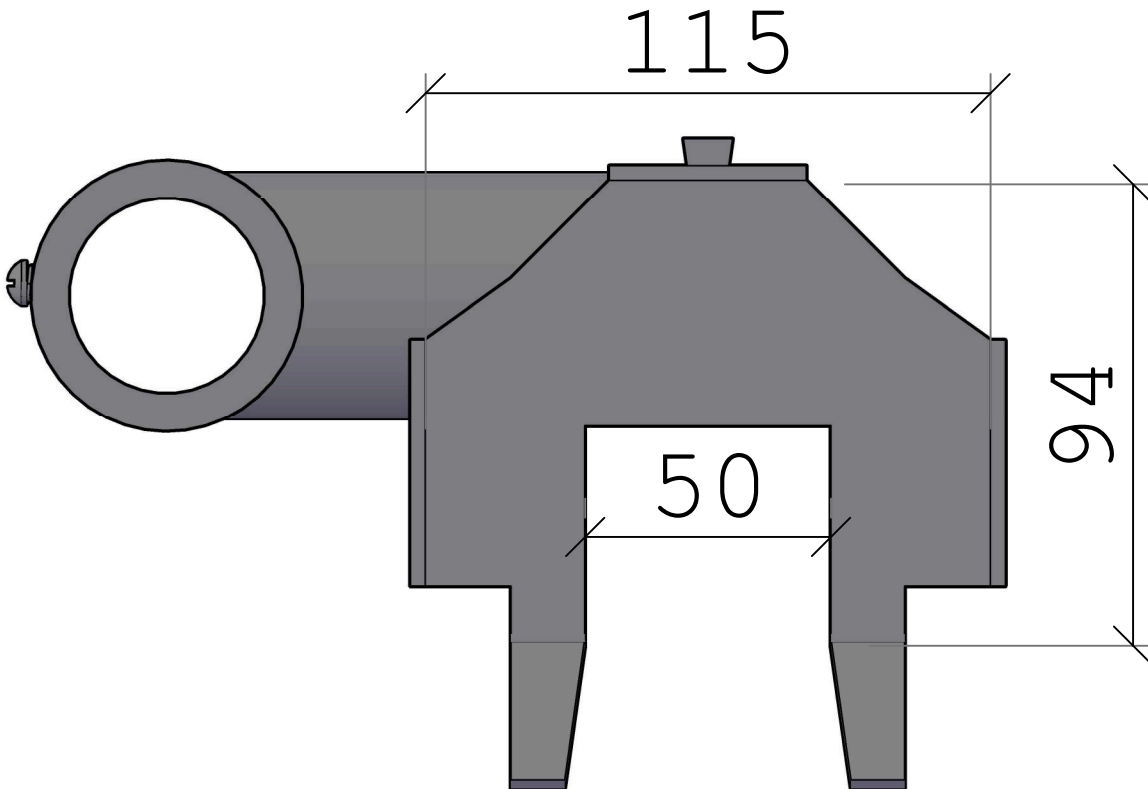
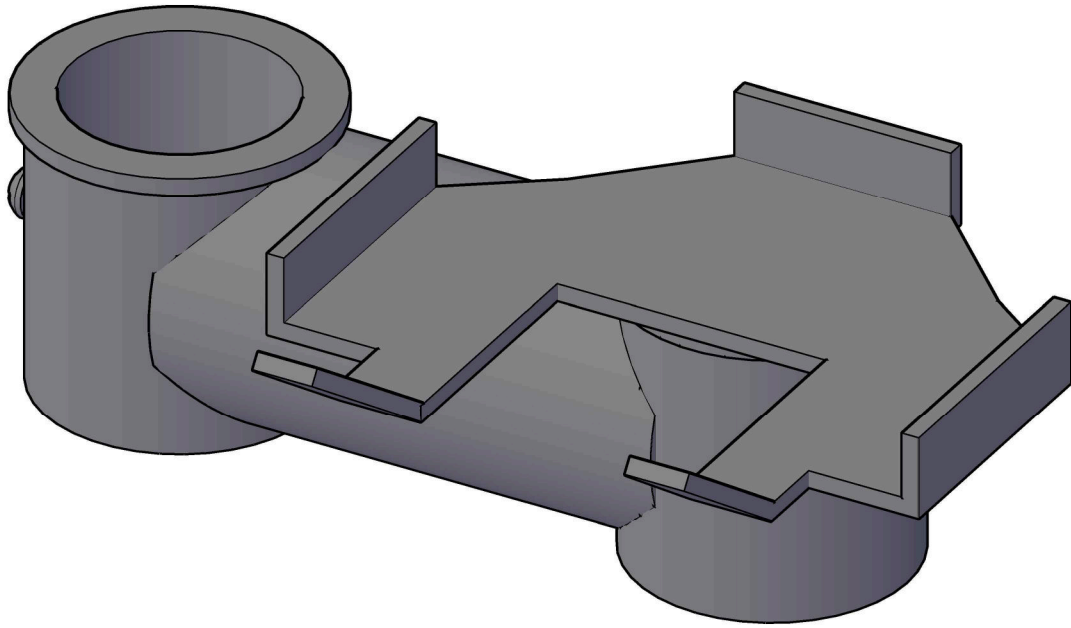


Detalle Técnico


TÍTULO Y REFERENCIA VISOR MONITOR CLIENTE (COD. VMC)				 TORREJÓN DE ARDOZ (MADRID) C/Hierro, 27 Telfs: 91 675 14 34 - 91 677 10 92 Fax: 91 677 82 33 <a href="http://www.marsanz.es">www.marsanz.es</a>
DIRECCIÓN		FECHA 01/10/2020	Nº PLANO 7	
DIBUJADO POR EDGAR C.	T. COMERCIAL	ESCALA UNIDAD FORMATO	Nº OPCIÓN	Estos planos son propiedad de CREACIONES MARSANZ S.A. siendo confidenciales para la parte a quien se confían, no debiendo reproducirse total ni parcialmente y, en ningún caso, utilizarse directa o indirectamente en perjuicio de CREACIONES MARSANZ S.A.



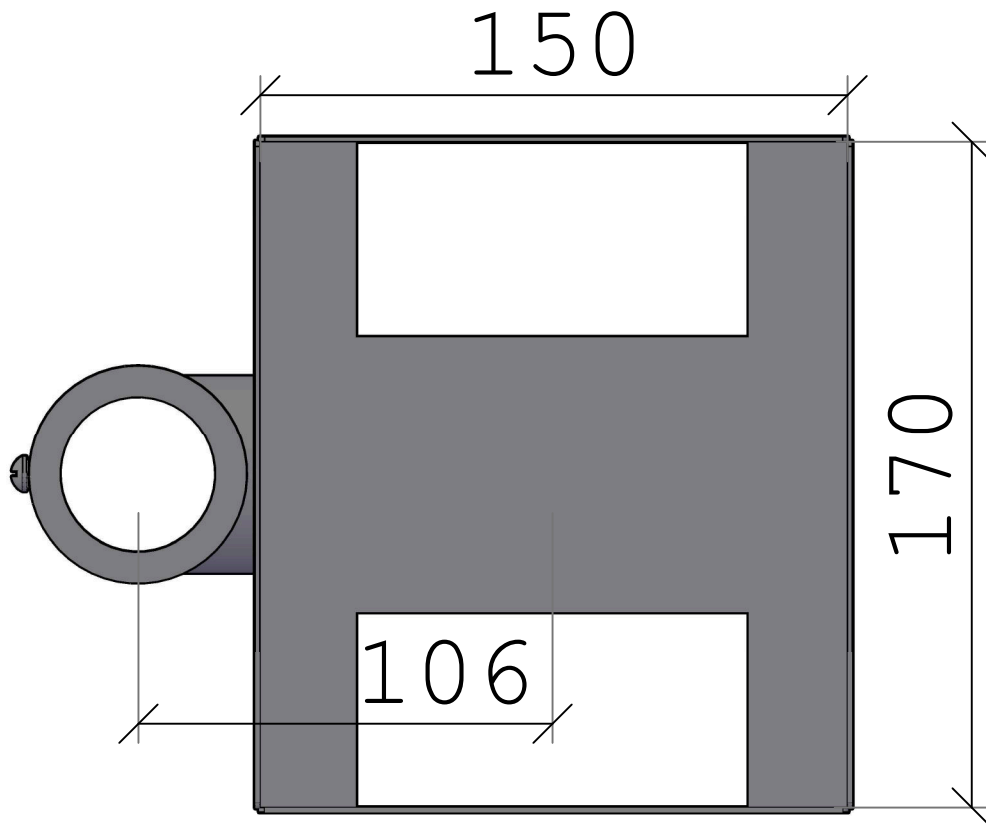
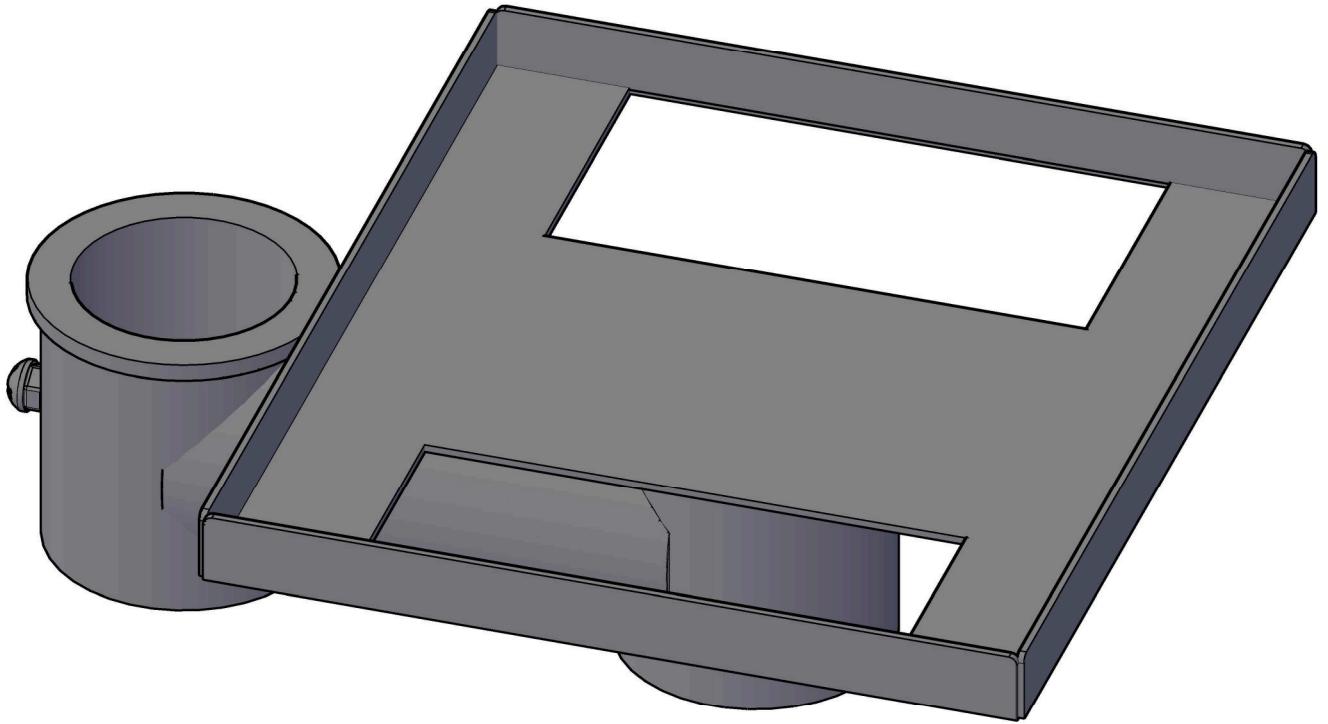
# SOPORTE PISTOLA LECTOR CODIGO DE BARRAS (COD: SPLCB)




Detalle Técnico

TÍTULO Y REFERENCIA SOPORTE PISTOLA L.C.B. (COD. SPLCB)				 TORREJÓN DE ARDOZ (MADRID) C/Hierro, 27 Telfs: 91 675 14 34 - 91 677 10 92 Fax: 91 677 82 33 <a href="http://www.marsanz.es">www.marsanz.es</a>
DIRECCIÓN		FECHA 01/10/2020	Nº PLANO 9	
DIBUJADO POR EDGAR C.	T. COMERCIAL	ESCALA UNIDAD FORMATO	Nº OPCIÓN	Estos planos son propiedad de CREACIONES MARSANZ S.A. siendo confidenciales para la parte a quien se confían, no debiendo reproducirse total ni parcialmente y, en ningún caso, utilizarse directa o indirectamente en perjuicio de CREACIONES MARSANZ S.A.

# BANDEJA IMPRESORA (COD: BI)

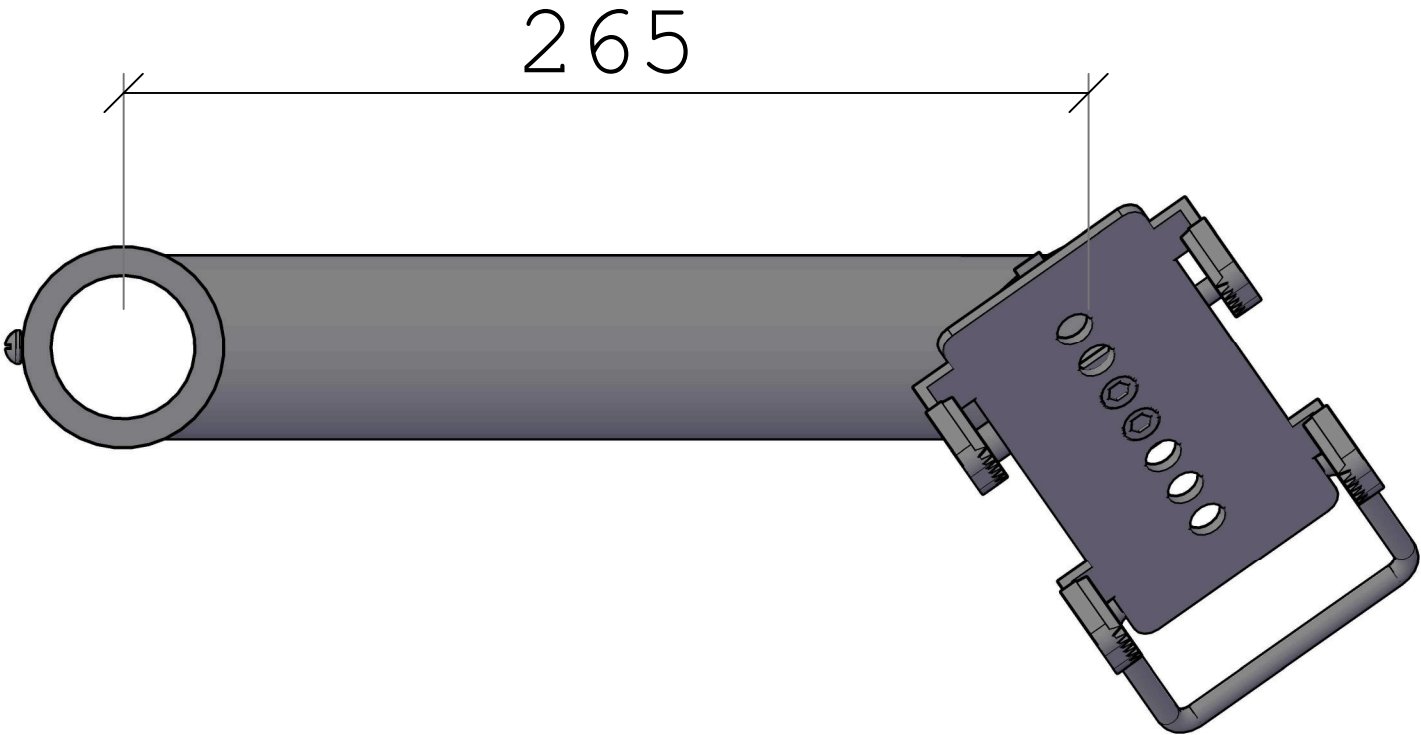
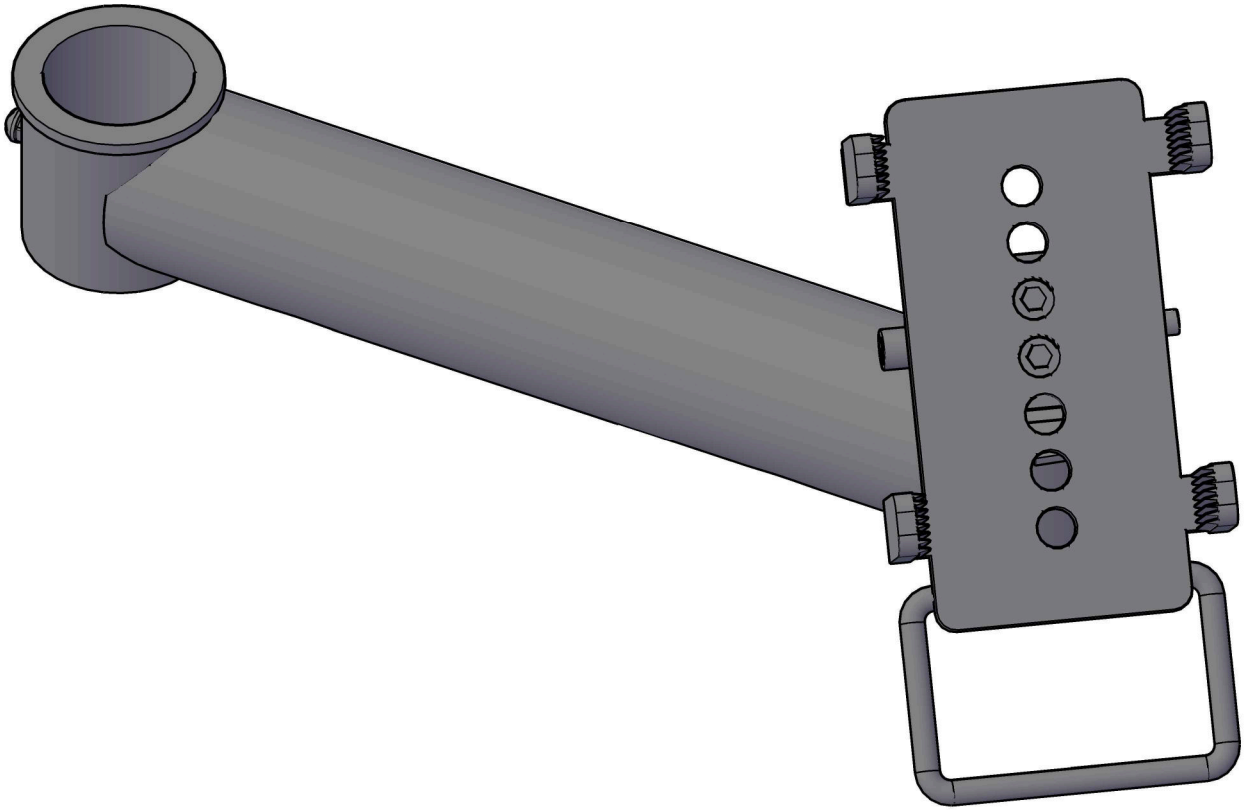


Detalle Técnico


TÍTULO Y REFERENCIA BANEJA IMPRESORA (COD. BI)				 TORREJÓN DE ARDOZ (MADRID) C/Hierro, 27 Telfs: 91 675 14 34 - 91 677 10 92 Fax: 91 677 82 33 <a href="http://www.marsanz.es">www.marsanz.es</a>
DIRECCIÓN		FECHA 01/10/2020	Nº PLANO 9	
DIBUJADO POR EDGAR C.	T. COMERCIAL	ESCALA UNIDAD FORMATO	Nº OPCIÓN	<small>Estos planos son propiedad de CREACIONES MARSANZ S.A. siendo confidenciales para la parte a quien se confían, no debiendo reproducirse total ni parcialmente y, en ningún caso, utilizarse directa o indirectamente en perjuicio de CREACIONES MARSANZ S.A.</small>



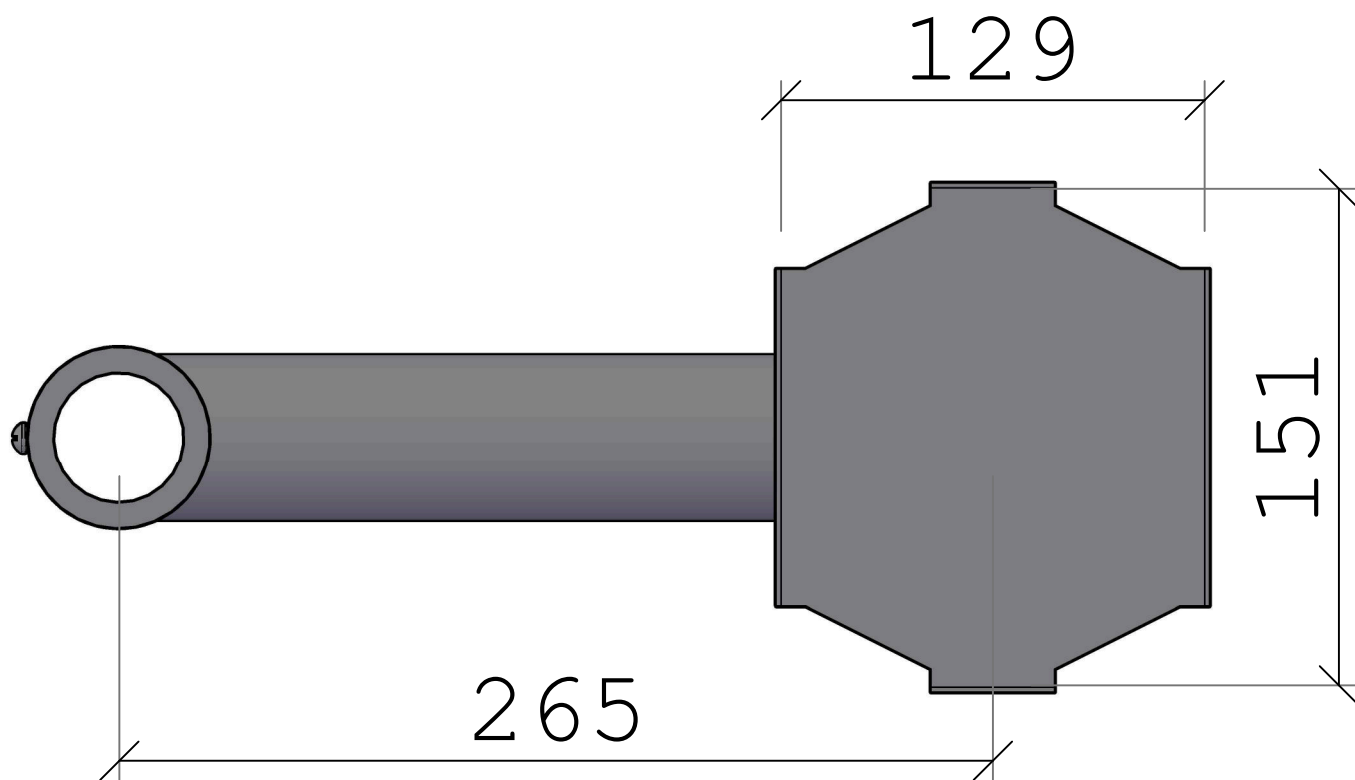
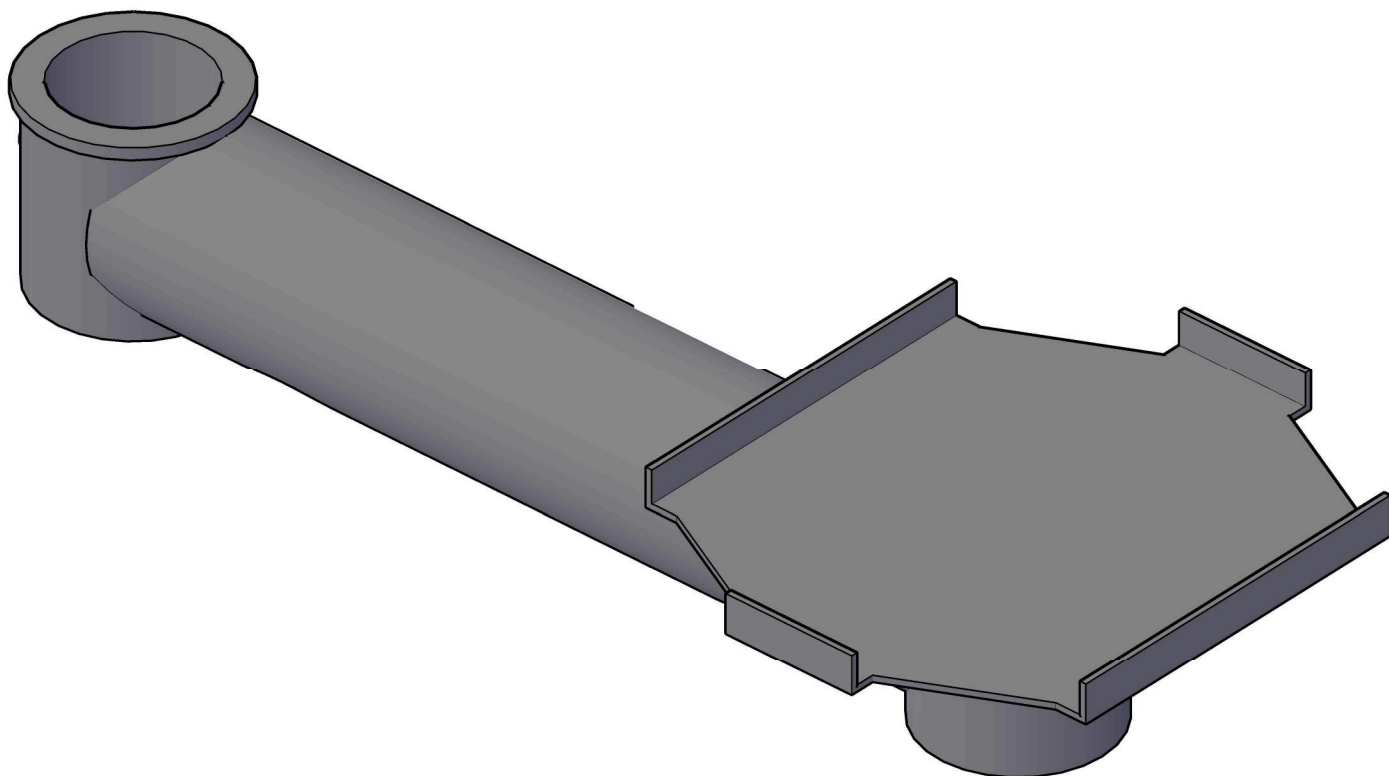
# SOPORTE PIN-PAD BRAZO LARGO (COD: SPPBL)



Detalle Técnico

TÍTULO Y REFERENCIA S. PIN-PAD BRAZO LARGO (COD: SPPBL)				 TORREJÓN DE ARDOZ (MADRID) C/Hierro, 27 Telfs: 91 675 14 34 - 91 677 10 92 Fax: 91 677 82 33 <a href="http://www.marsanz.es">www.marsanz.es</a>
DIRECCIÓN		FECHA 01/10/2020	Nº PLANO 10	
DIBUJADO POR EDGAR C.	T. COMERCIAL	ESCALA UNIDAD FORMATO	Nº OPCIÓN	Estos planos son propiedad de CREACIONES MARSANZ S.A. siendo confidenciales para la parte a quien se confían, no debiendo reproducirse total ni parcialmente y, en ningún caso, utilizarse directa o indirectamente en perjuicio de CREACIONES MARSANZ S.A.

# BANDEJA SOPORTE DETECTOR DE BILLETES BRAZO LARGO (COD: BSDBBL)

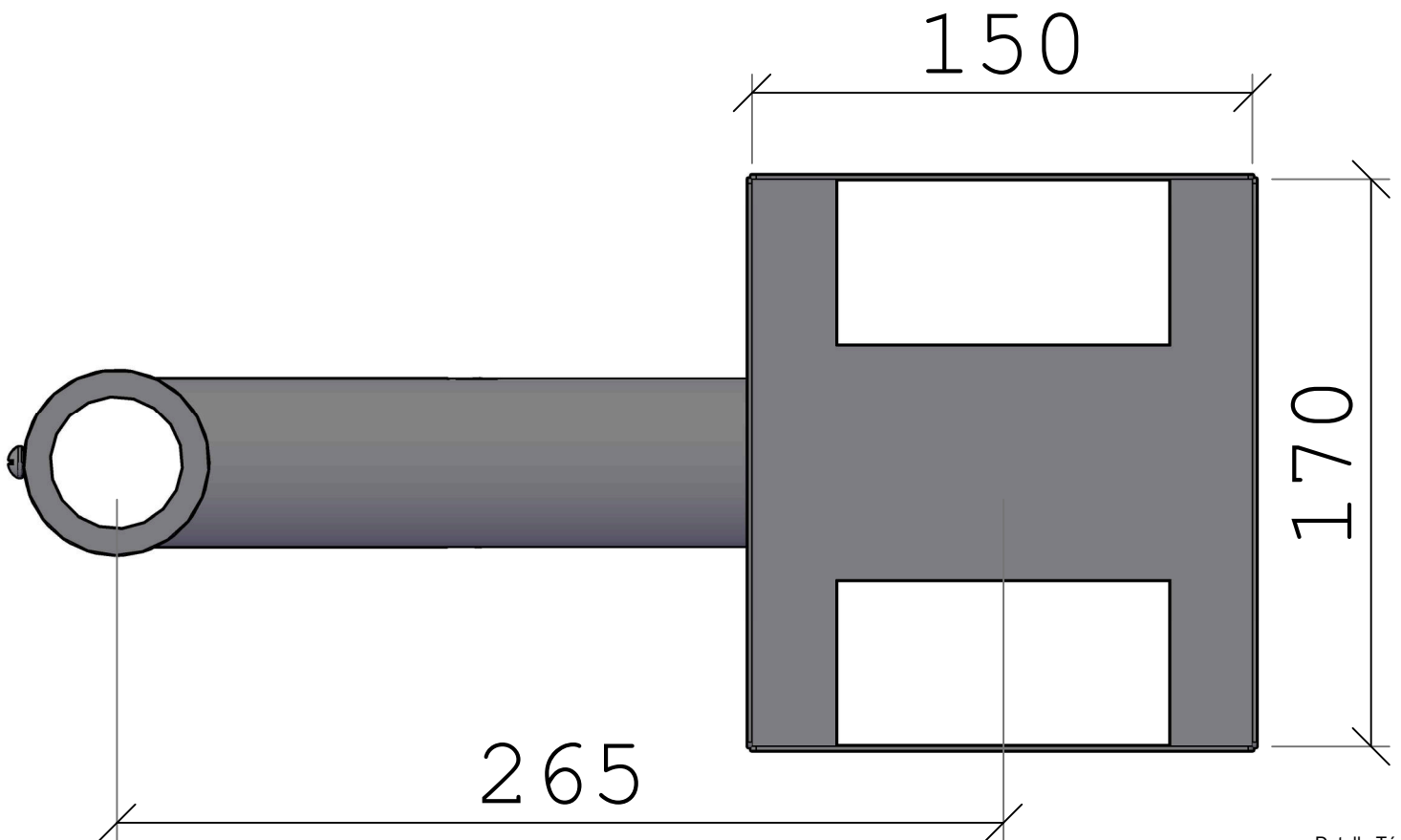
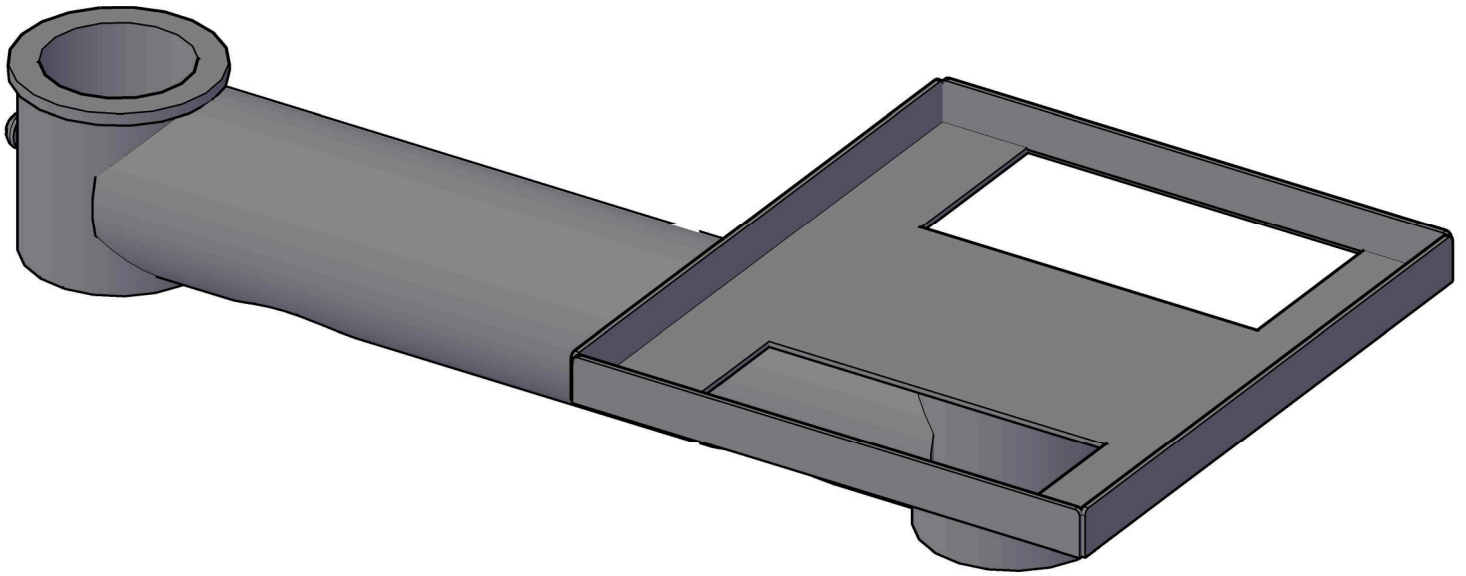


Detalle Técnico

TÍTULO Y REFERENCIA B. S. D. BILLETES BRAZO LARGO (COD. BSDBBL)				 TORREJÓN DE ARDOZ (MADRID) C/Hierro, 27 Telfs: 91 675 14 34 - 91 677 10 92 Fax: 91 677 82 33 <a href="http://www.marsanz.es">www.marsanz.es</a>
DIRECCIÓN		FECHA 01/10/2020	Nº PLANO 11	
DIBUJADO POR EDGAR C.	T. COMERCIAL	ESCALA UNIDAD FORMATO	Nº OPCIÓN	<small>Estos planos son propiedad de CREACIONES MARSANZ S.A. siendo confidenciales para la parte a quien se confían, no debiendo reproducirse total ni parcialmente y, en ningún caso, utilizarse directa o indirectamente en perjuicio de CREACIONES MARSANZ S.A.</small>



# BANDEJA IMPRESORA (COD: BIBL)



Detalle Técnico

TÍTULO Y REFERENCIA BANEJA IMPRESORA (COD. BIBL)				 TORREJÓN DE ARDOZ (MADRID) C/Hierro, 27 Telfs: 91 675 14 34 - 91 677 10 92 Fax: 91 677 82 33 <a href="http://www.marsanz.es">www.marsanz.es</a>
DIRECCIÓN		FECHA 01/10/2020	Nº PLANO 12	
DIBUJADO POR EDGAR C.	T. COMERCIAL	ESCALA UNIDAD FORMATO	Nº OPCIÓN	<small>Estos planos son propiedad de CREACIONES MARSANZ S. A. siendo confidenciales para la parte a quien se confían, no debiendo reproducirse total ni parcialmente y, en ningún caso, utilizarse directa o indirectamente en perjuicio de CREACIONES MARSANZ S. A.</small>

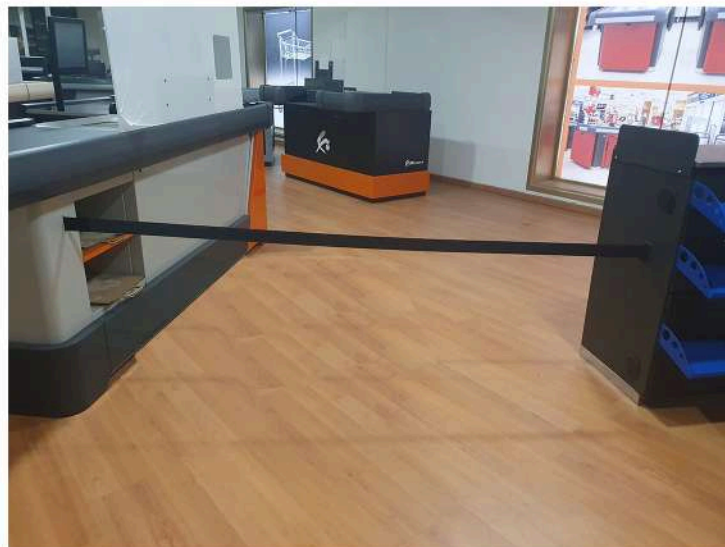
CHECK-OUT  
CINTA CIERRAPASOS

CIERRAPASOS  
EXTENSIBLE CON CINTA //

1.Adaptación para lado  
cliente o cajera.

2.Integrado en pata mueble  
mecanizado con fijación  
interior.

Cód.CCMCC230



(Opción 2)



(Opción 1)

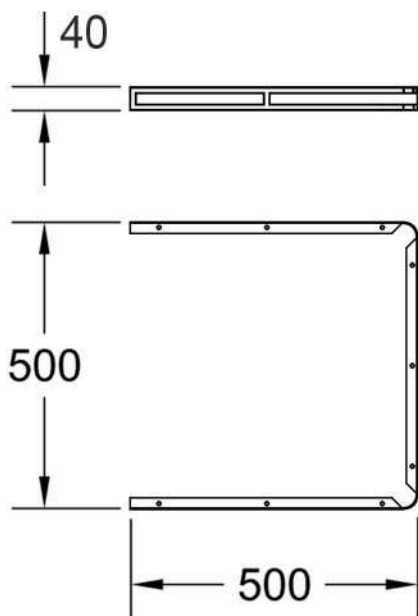
VENTA IMPULSO  
ESTANTES SOBRE POSTE



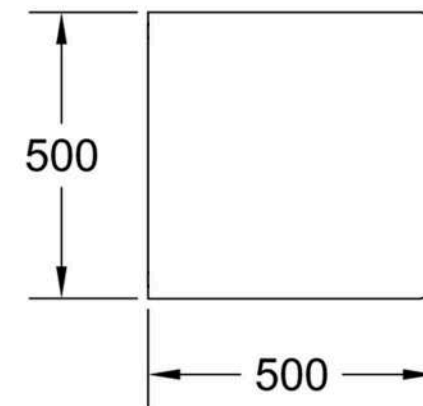
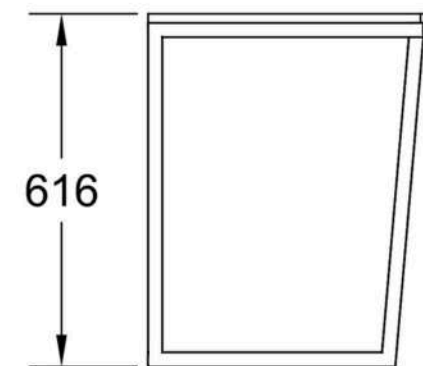


## MESAS IMPULSO "MARLO"

- Mesa estilo industrial fabricada en tubo extrusionado de 25x25mm espesor 2mm. acabado en negro.
- Encimera madera redondeado en el el lado de servicio acabado hormigón Chicago EGGER F 189.
- Balcón de acero de 9mm de espesor fijado mediante tornillería a encimera. Acabado en negro.

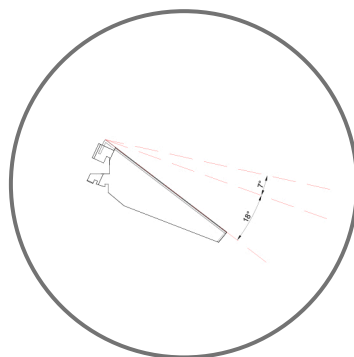
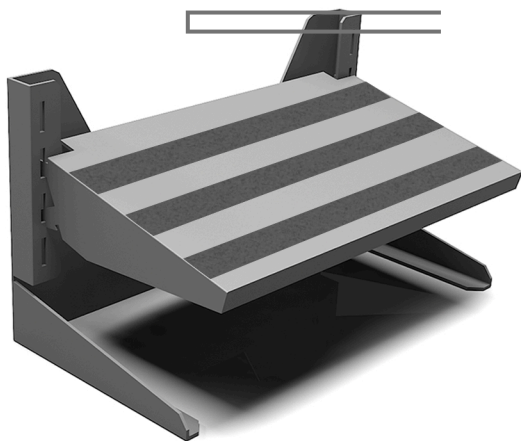


Cód.MVIM5050



# REPOSAPIES SISTEMA CONFORT

CÓD. RPPR

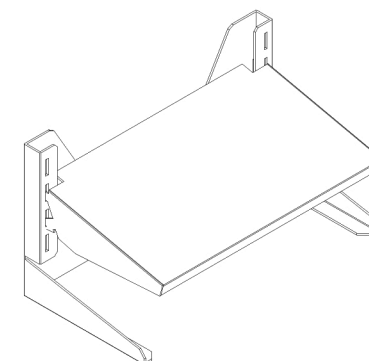
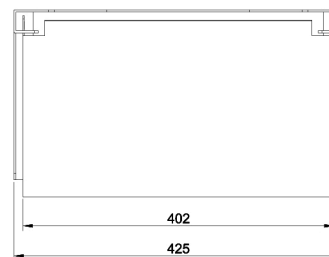
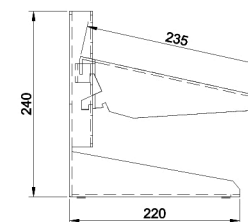
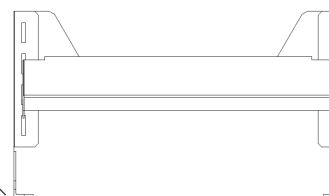


**Regulable en altura e inclinación**  
Soporte regulable en 3 alturas e inclinaciones para adaptarse a cada usuario.

**Acabados**  
Almohadillas de goma en la parte inferior y bandas adhesivas antideslizantes.



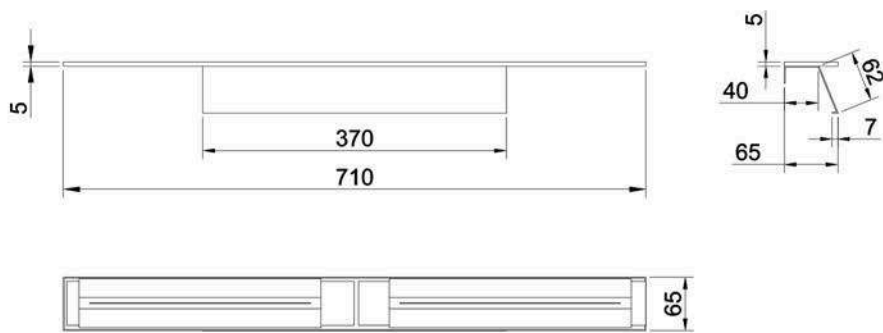
Almohadillas goma



# MUEBLE CAJA SOPORTE SEPARADOR CLIENTE SIGUIENTE

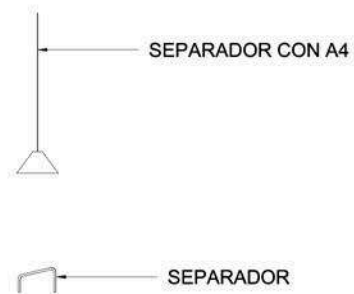
## Soporte

Montaje en campo sin herramientas.

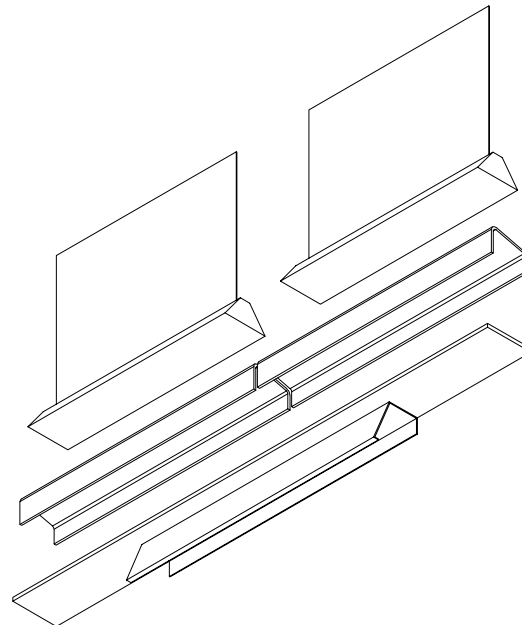
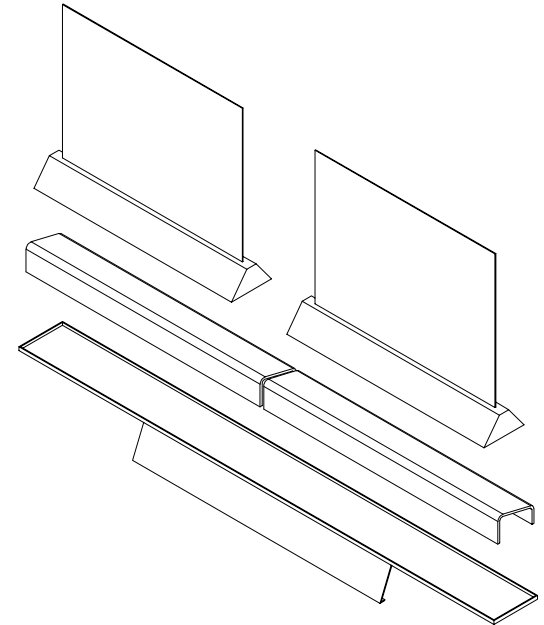
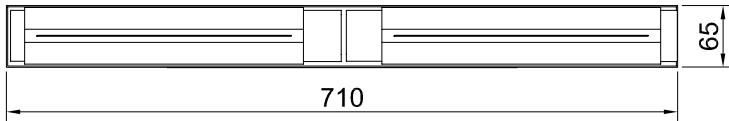
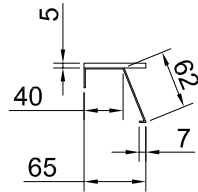
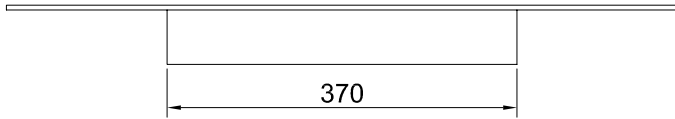
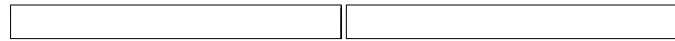
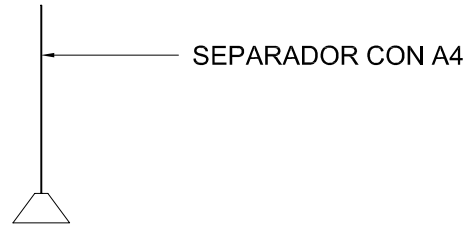
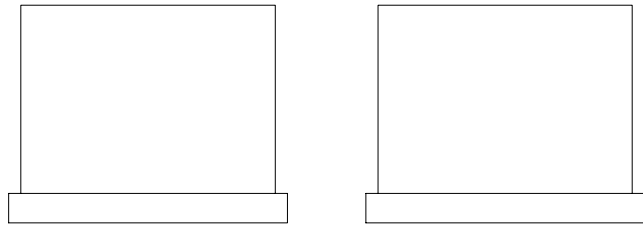


## Separador


Compatible con separador Marsanz y separador con A4.





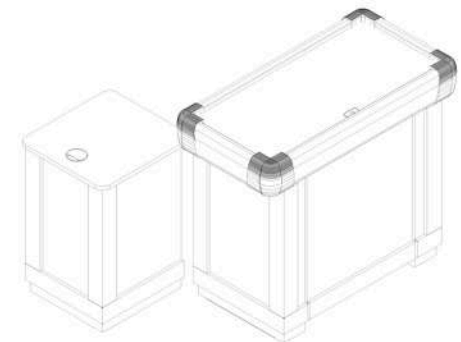
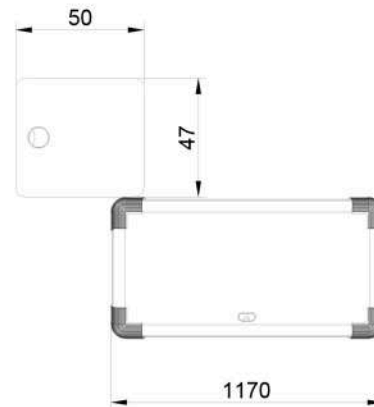
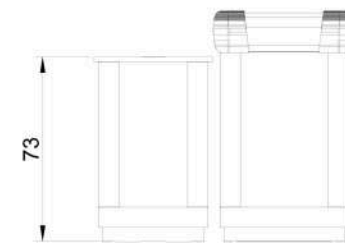
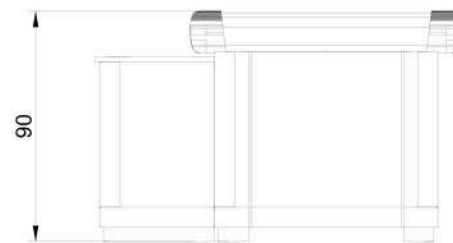


CÓD. SSCSSP

TÍTULO Y REFERENCIA				 TORREJÓN DE ARDOZ (MADRID) C/Hierro, 27 Telfs: 91 675 14 34 - 91 677 10 92 Fax: 91 677 82 33 <a href="http://www.marsanz.es">www.marsanz.es</a>
SEPARADOR CLIENTE SIGUIENTE				
SOPORTE SOBRE PERFIL SIN UNIÓN				
DIRECCIÓN		FECHA	Nº PLANO	
MADRID			1	
DIBUJADO POR	T. COMERCIAL	ESCALA	Nº OPCIÓN	
		UNIDAD	1	
		FORMATO		
<small>Estos planos son propiedad de CREACIONES MARSANZ S.A. siendo confidenciales para la parte a quien se confían, no debiendo reproducirse total ni parcialmente y, en ningún caso, utilizarse directa o indirectamente en perjuicio de CREACIONES MARSANZ S.A.</small>				

CHECK-OUT  
DECO SERIE A 1200 CARRO A CARRO

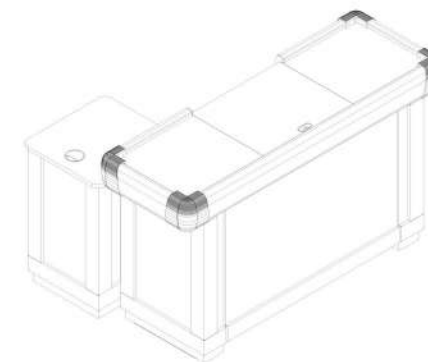
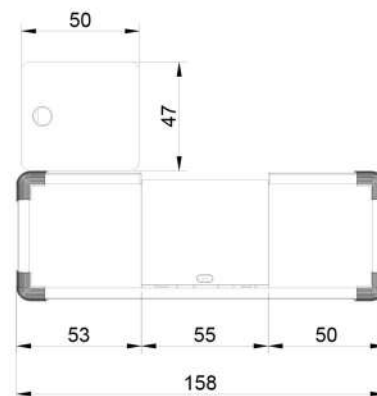
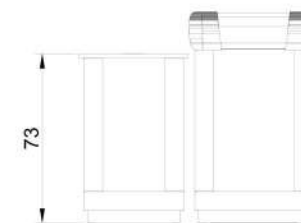
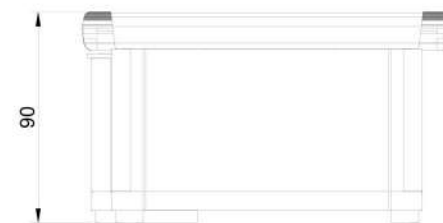
CÓD. MCCCDE120



 Marsanz

CHECK-OUT  
DECO SERIE A 1600 CARRO A CARRO

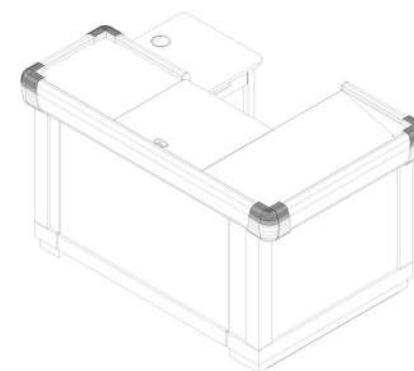
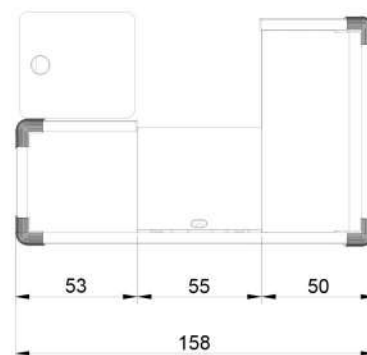
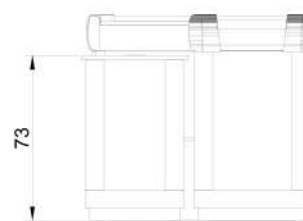
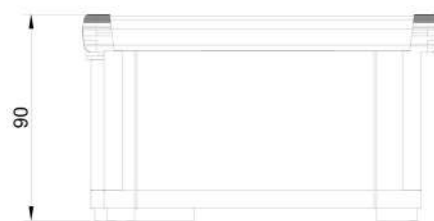
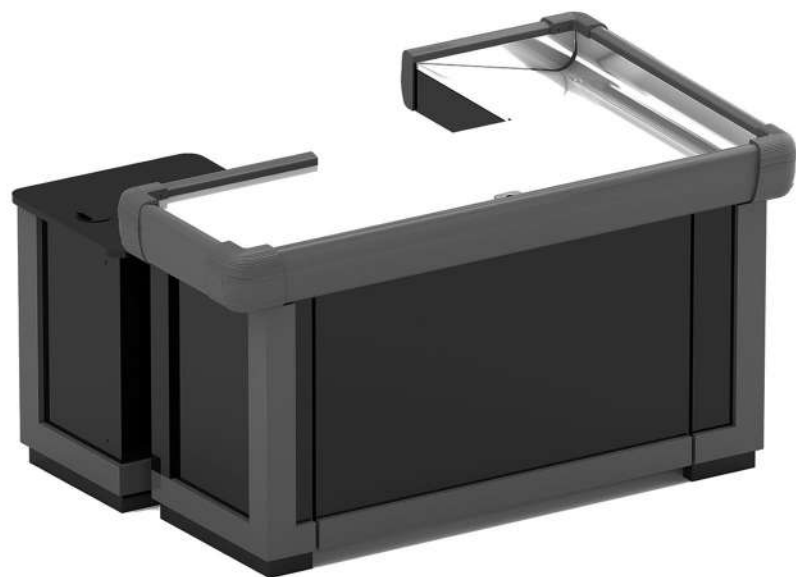
CÓD. MCCCDE160-D / MCCCDE160-I





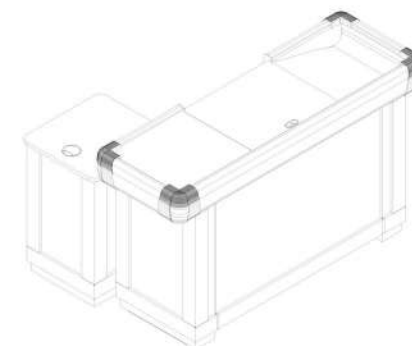
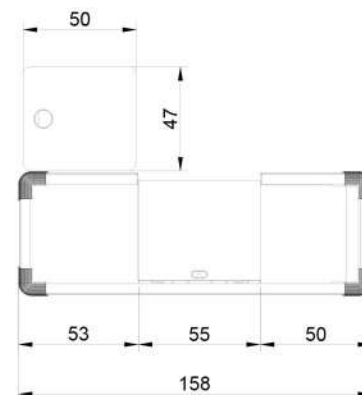
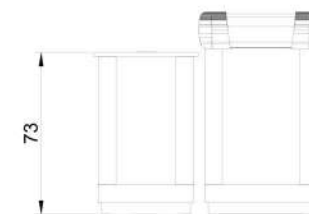
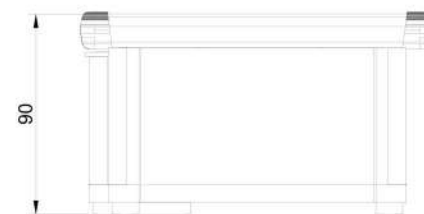
CHECK-OUT  
DECO SERIE A 1600 CUBA

CÓD. MCCDE160-D / MCCDE160-I



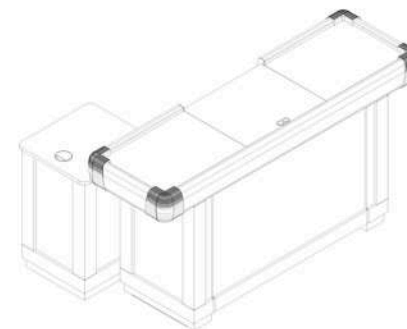
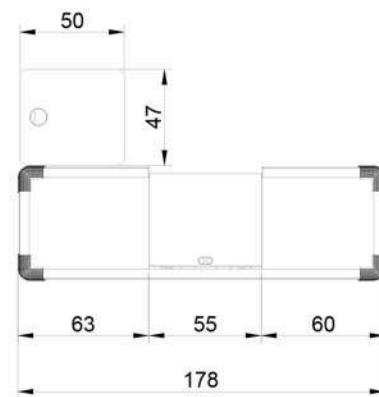
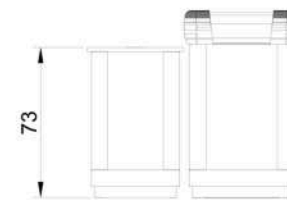
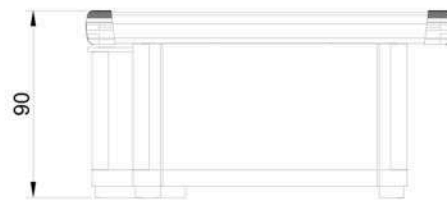
CHECK-OUT  
DECO SERIE A 1600 RECTO

CÓD. MCRDE160-D / MCRDE160-I



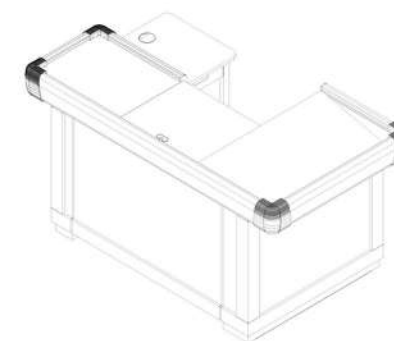
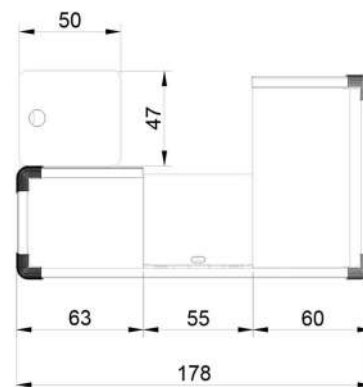
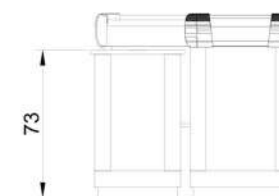
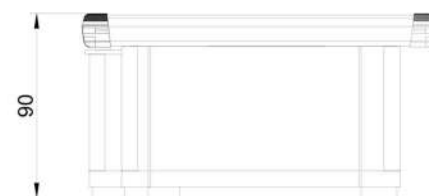
CHECK-OUT  
DECO SERIE A 1800 CARRO A CARRO

CÓD. MCCCDE180-D / MCCCDE180-I



CHECK-OUT  
DECO SERIE A - 1800 CUBA

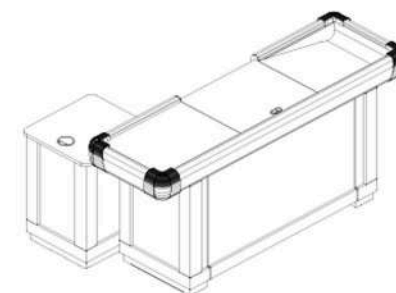
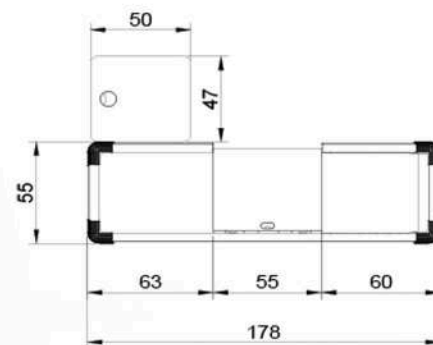
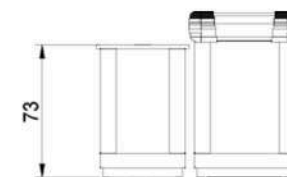
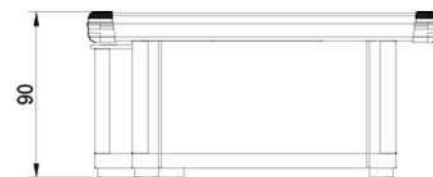
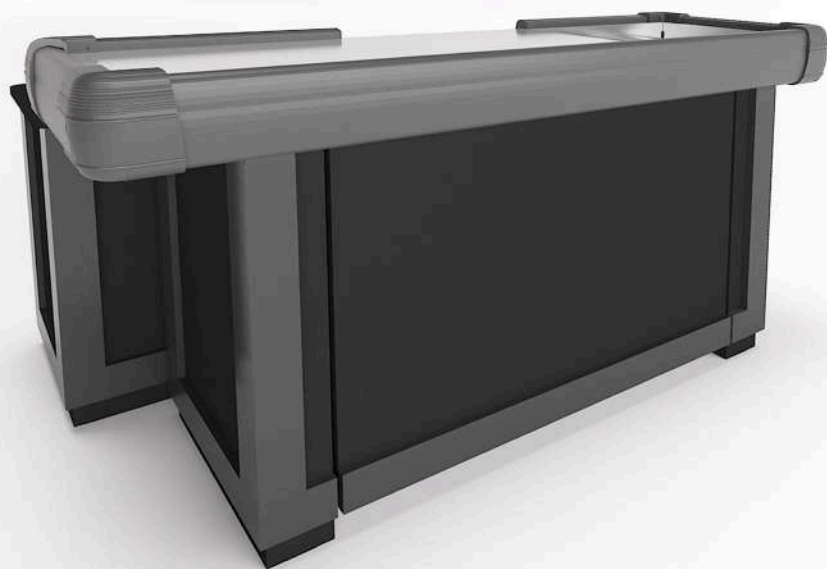
CÓD. MCCDE180-D / MCCDE180-I



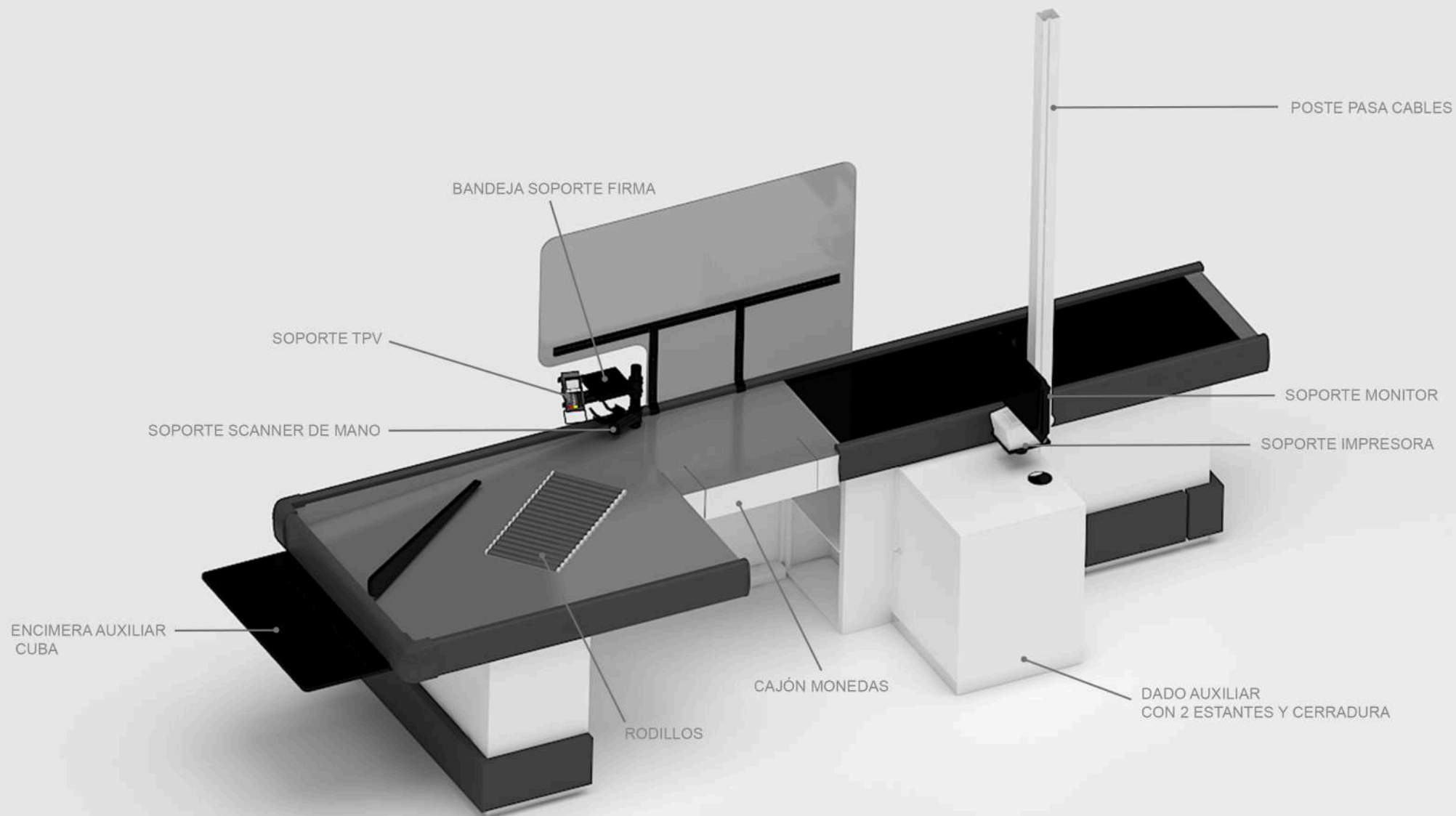


CHECK-OUT  
DECO SERIE A 1800 RECTO

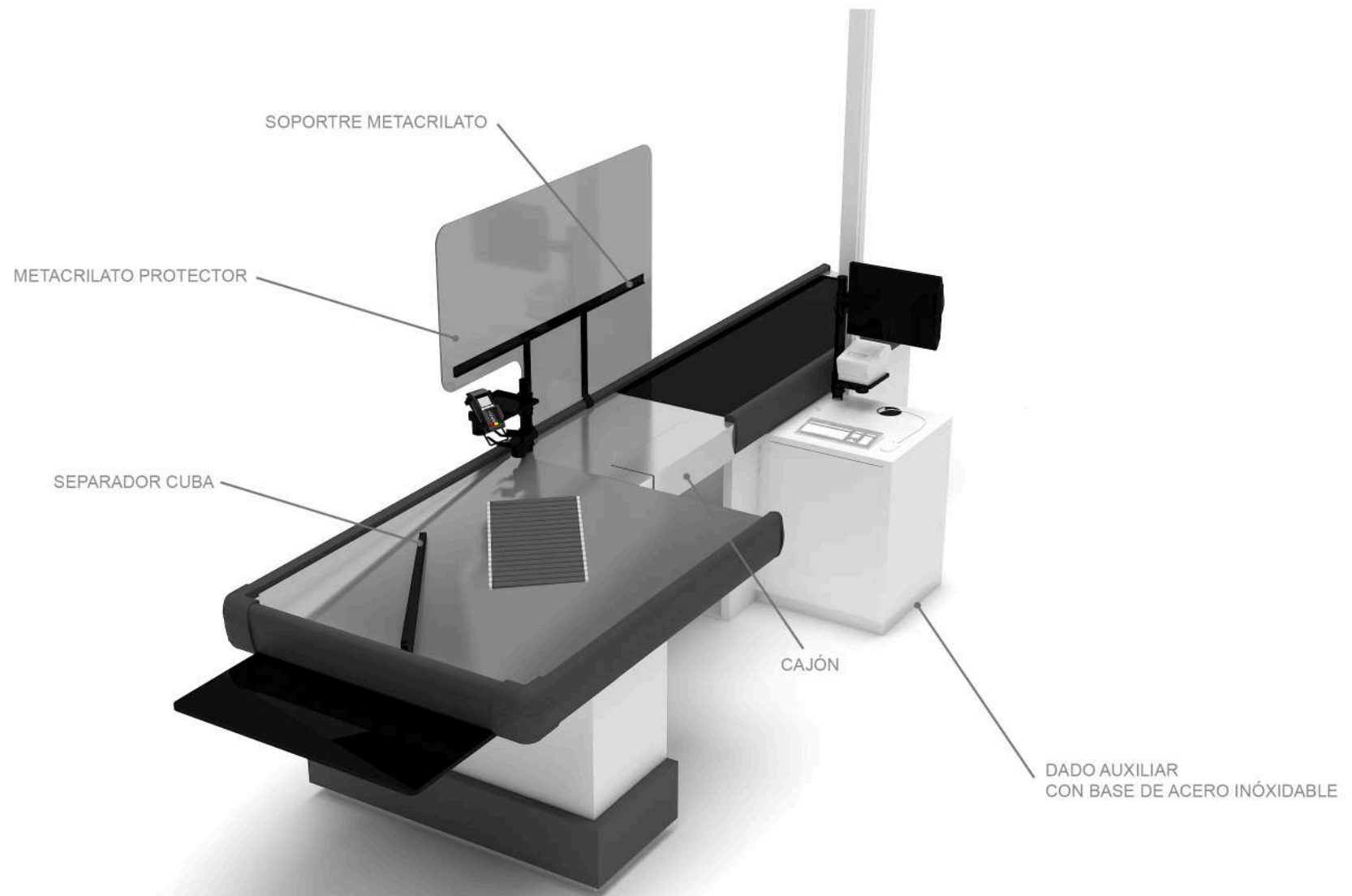
CÓD. MCRDE180-D / MCRDE180-I



# CHECK-OUT MUEBLE DECO 4320



CHECK-OUT  
MUEBLE DECO 4320



CHECK-OUT  
MUEBLE DECO 4320



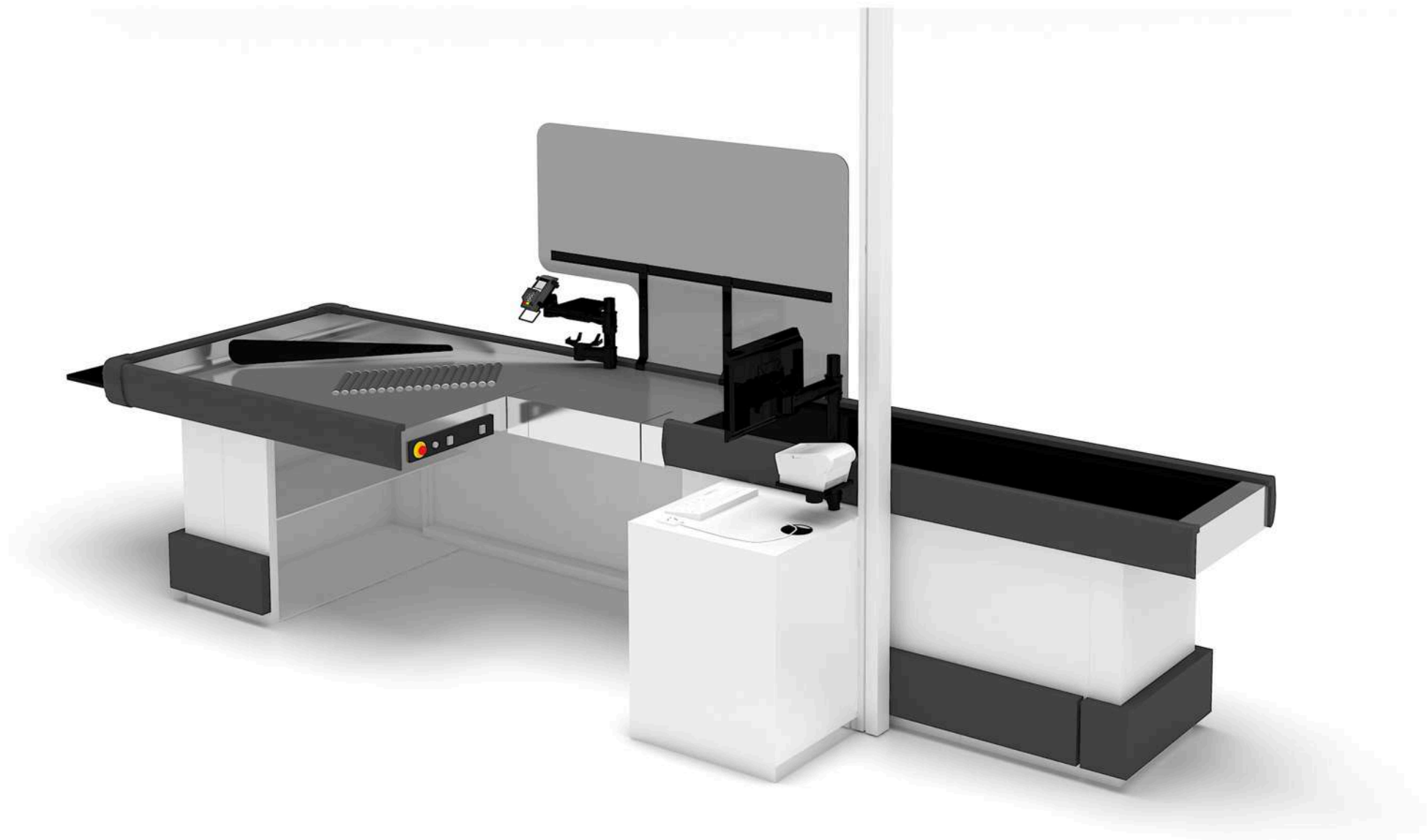
 Marsanz

\*Diseño sujeto a modificaciones

Propiedad de MARSANZ - PRIVILEGED AND CONFIDENTIAL Estas imágenes no son contractuales, son propiedad exclusiva de Creaciones Marsanz y no se pueden utilizar sin su autorización.



CHECK-OUT  
MUEBLE DECO 4320



CHECK-OUT  
MUEBLE DECO 4320



 **Marsanz**

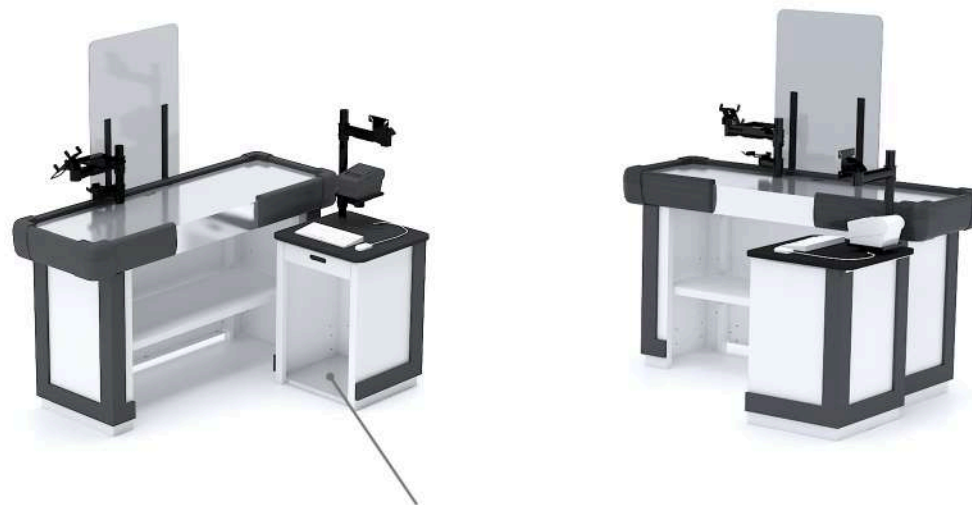
\*Diseño sujeto a modificaciones

Propiedad de MARSANZ - PRIVILEGED AND CONFIDENTIAL Estas imágenes no son contractuales, son propiedad exclusiva de Creaciones Marsanz y no se pueden utilizar sin su autorización.

# CHECK-OUT MUEBLE DECO 4320

**MULTIBRAZO 1**  
SOPORTE MONITOR (REGULABLE)  
SOPORTE IMPRESORA

**MULTIBRAZO 2**  
SOPORTE DATÁFONO  
SOPORTE FIRMA  
SOPORTE LECTOR DE MANO



DADO ABIERTO CON CAJÓN / CERRADO CON ESTANTES Y CERRADURA



CHECK OUT  
MODELO DECO



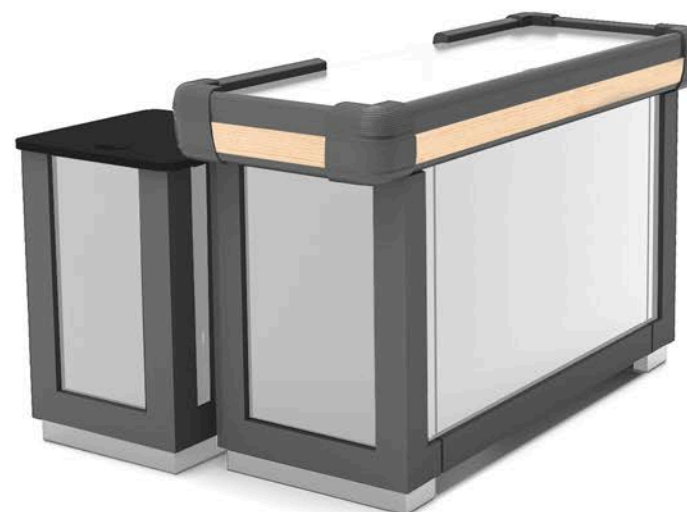
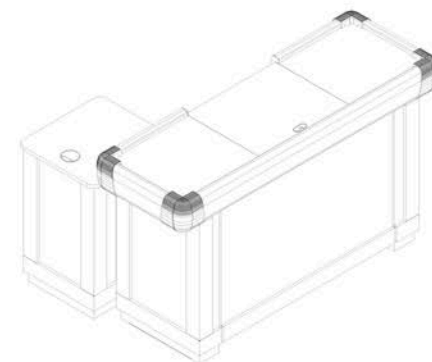
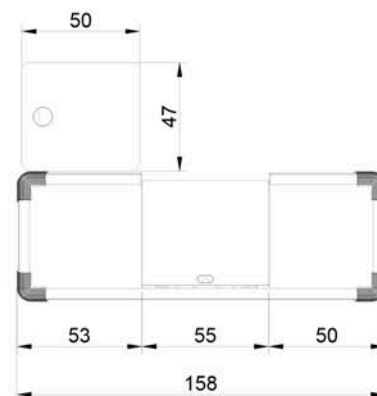
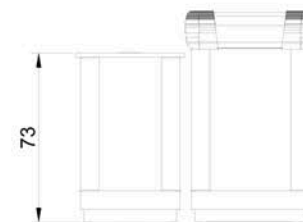
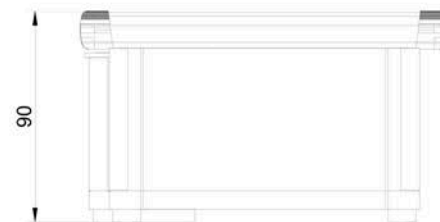


CHECK OUT  
MODELO DECO

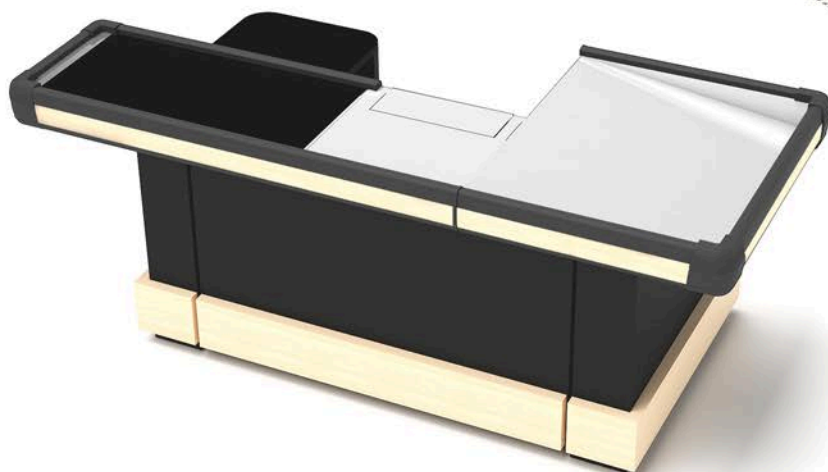
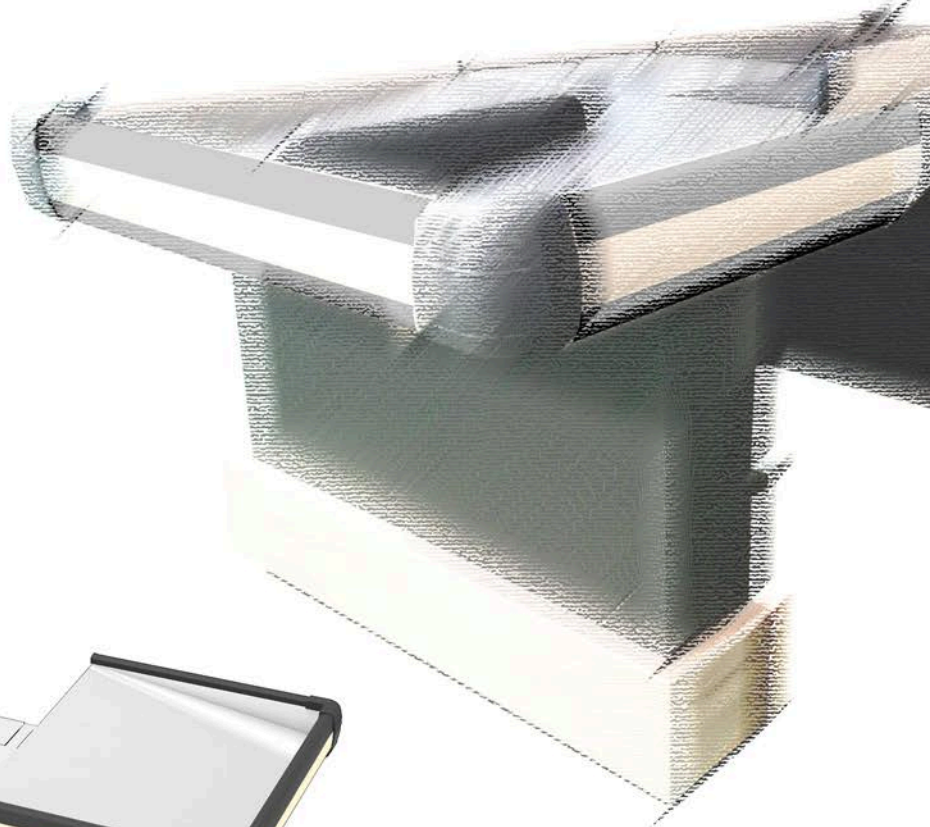


CHECK-OUT  
DECO SERIE A 1600 CARRO A CARRO

CÓD. MCCCDE160-D / MCCCDE160-I



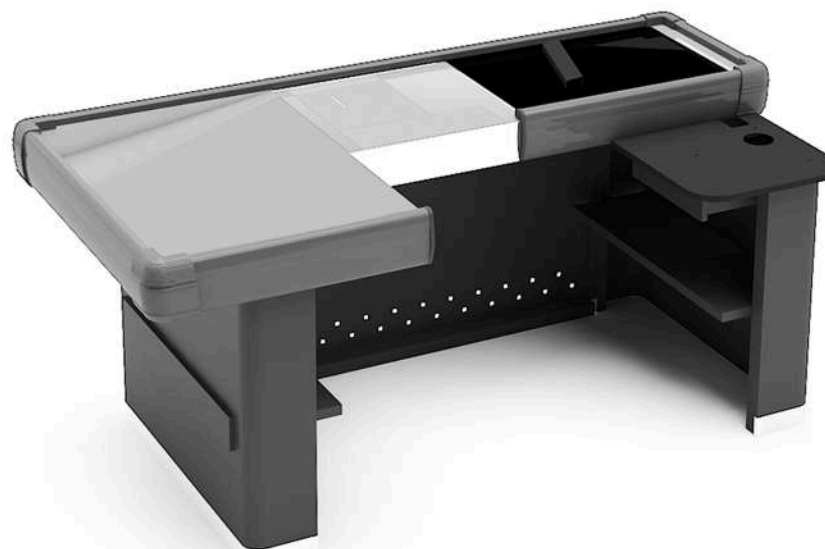
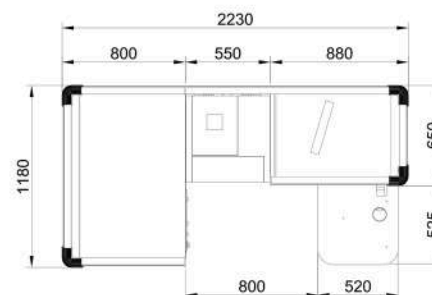
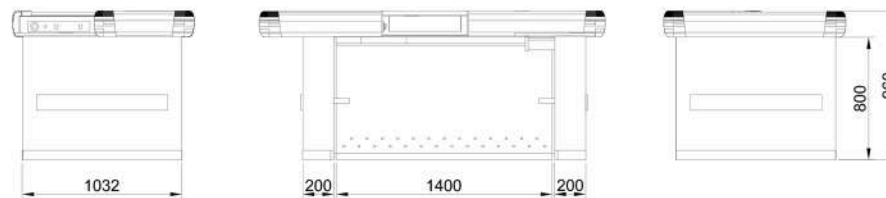
CHECK-OUT  
DECO



*Marsanz*

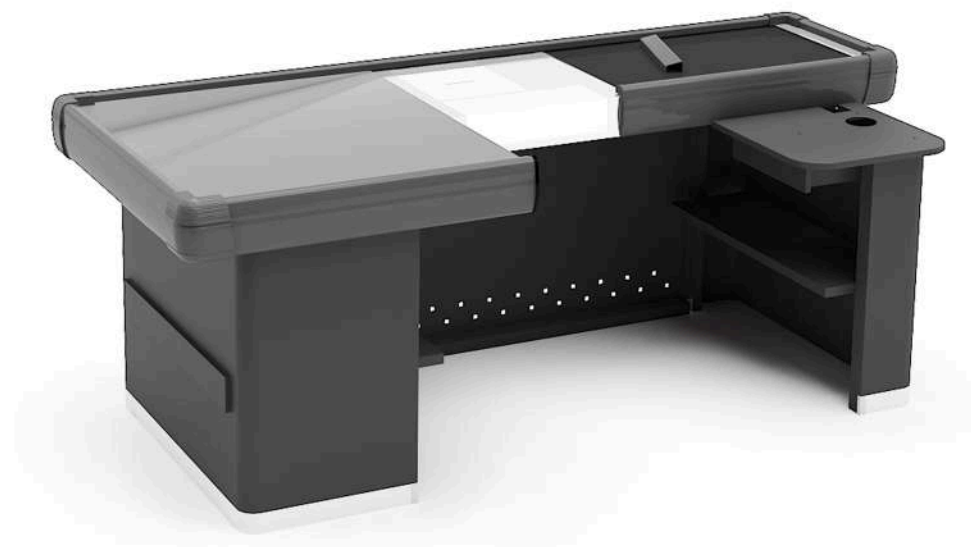
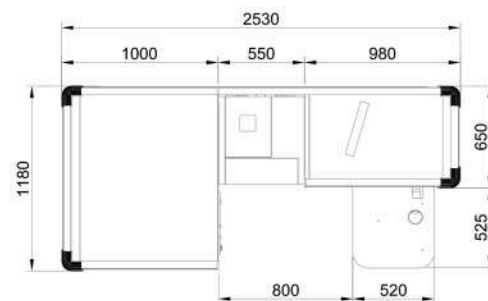
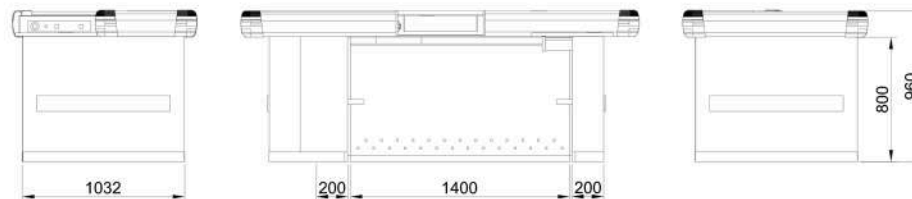


MUEBLE CAJA ERGO  
MODELO 2230

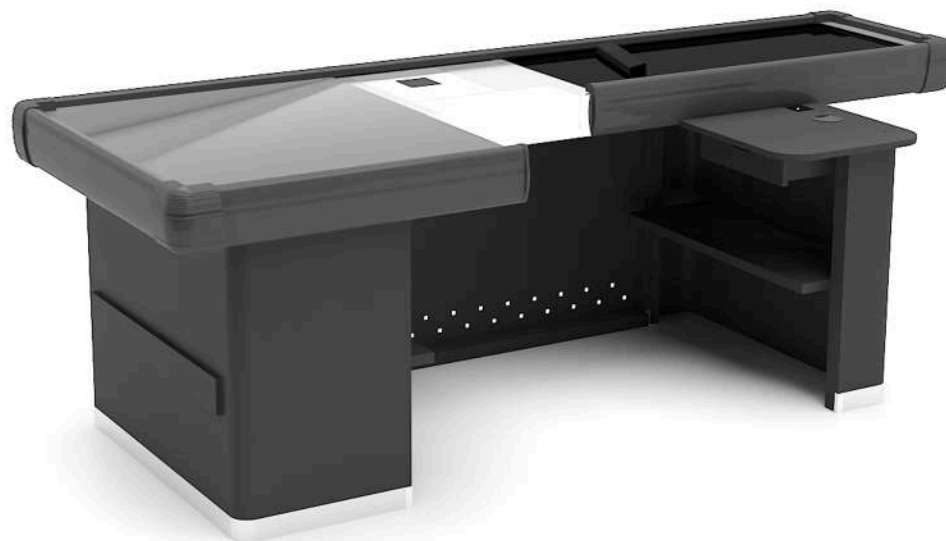
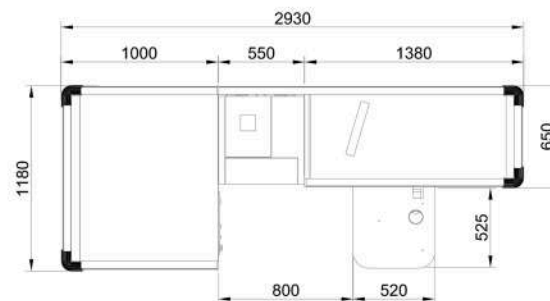
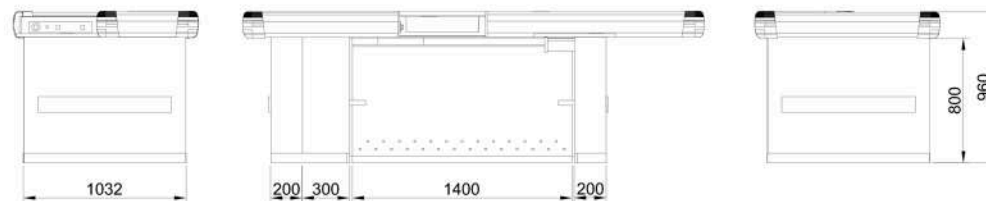




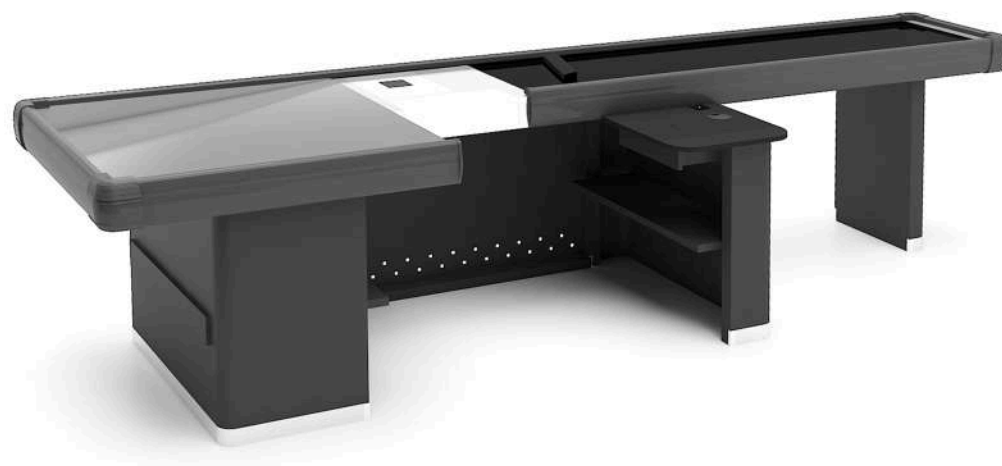
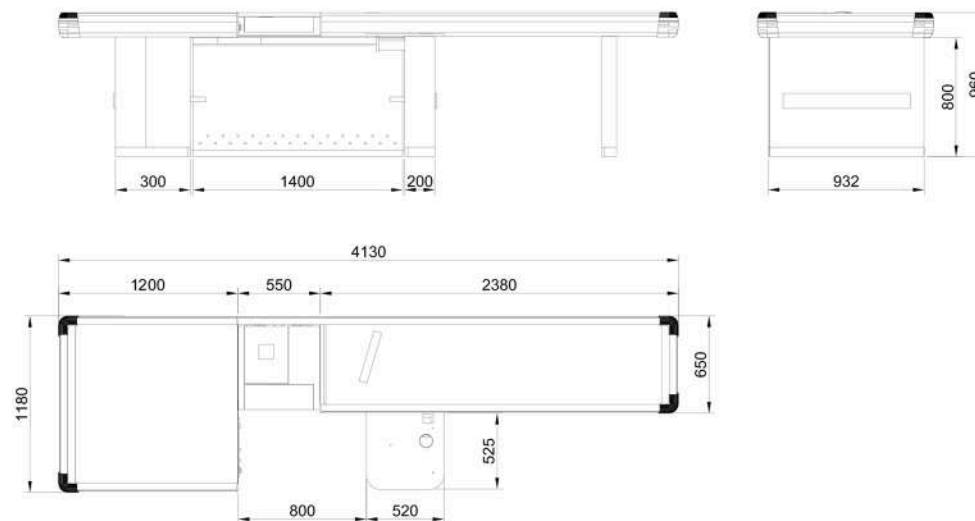
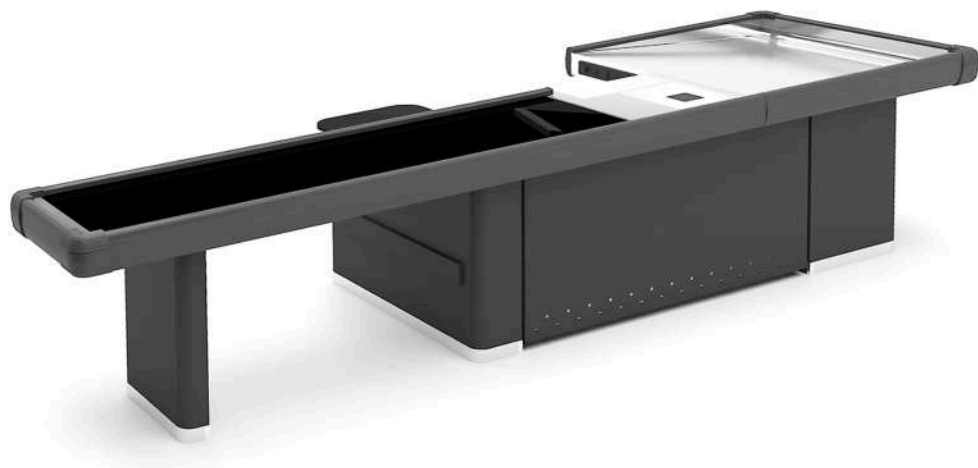
MUEBLE CAJA ERGO  
MODELO 2530

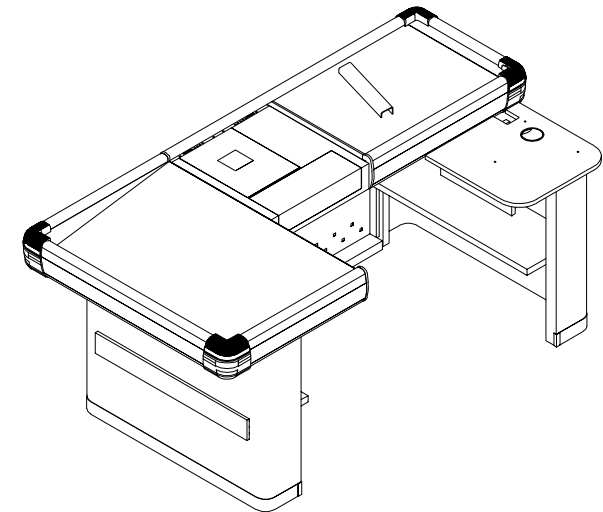
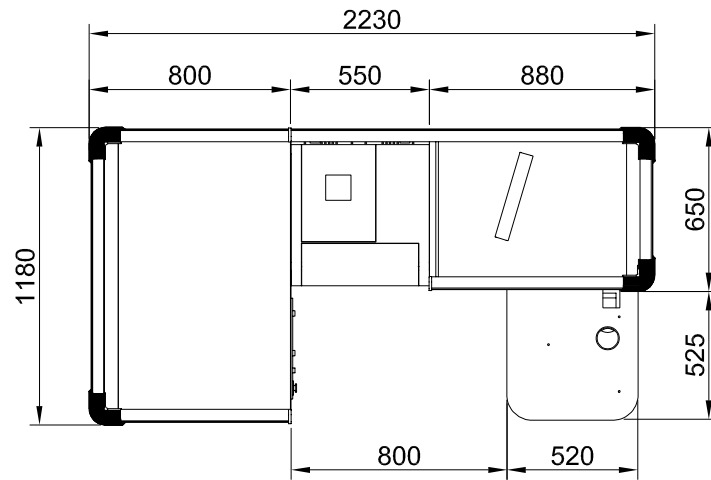
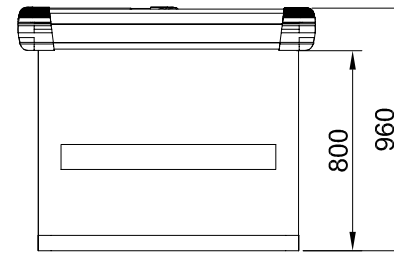
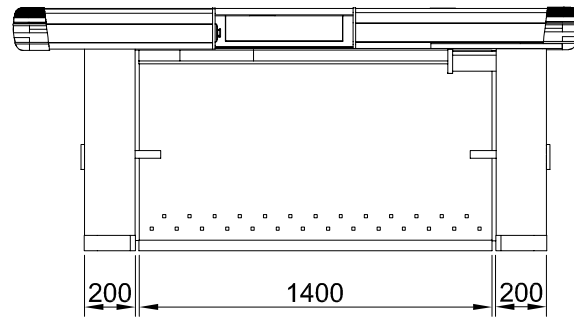
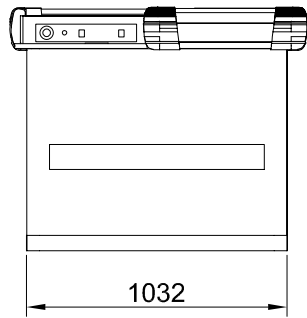


MUEBLE CAJA ERGO  
MODELO 2930



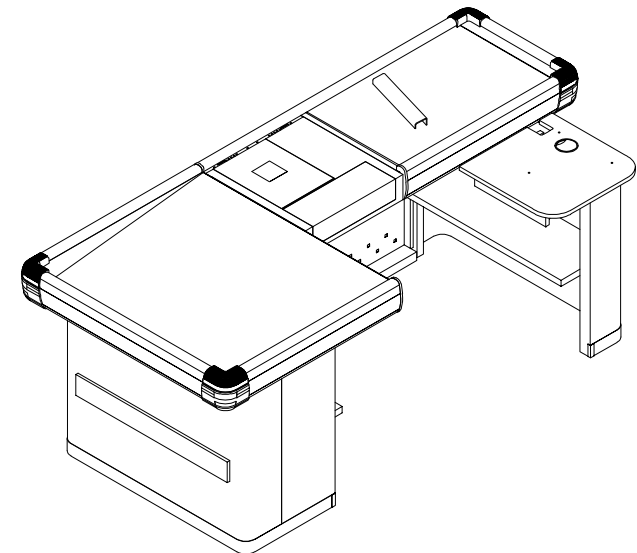
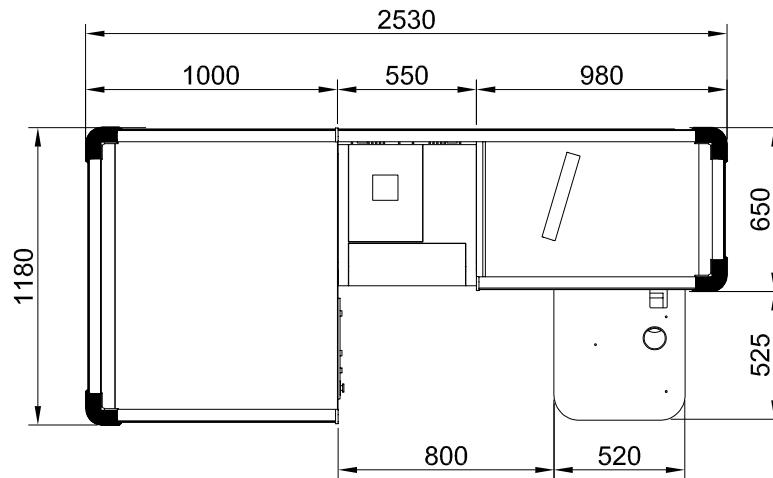
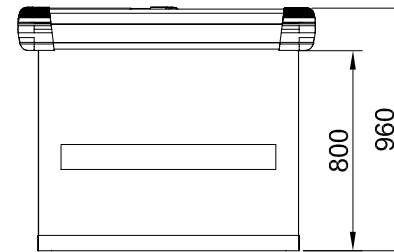
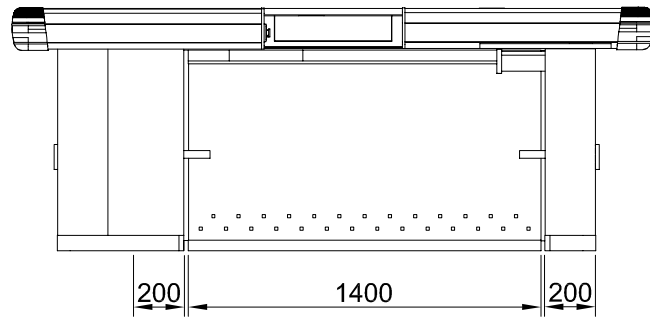
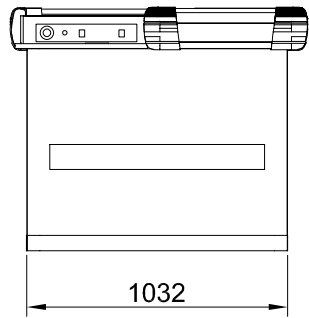
MUEBLE CAJA ERGO  
MODELO 4130



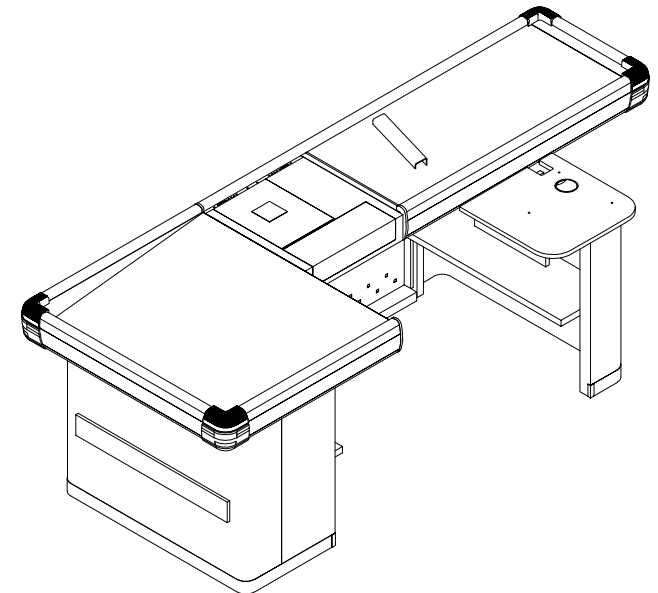
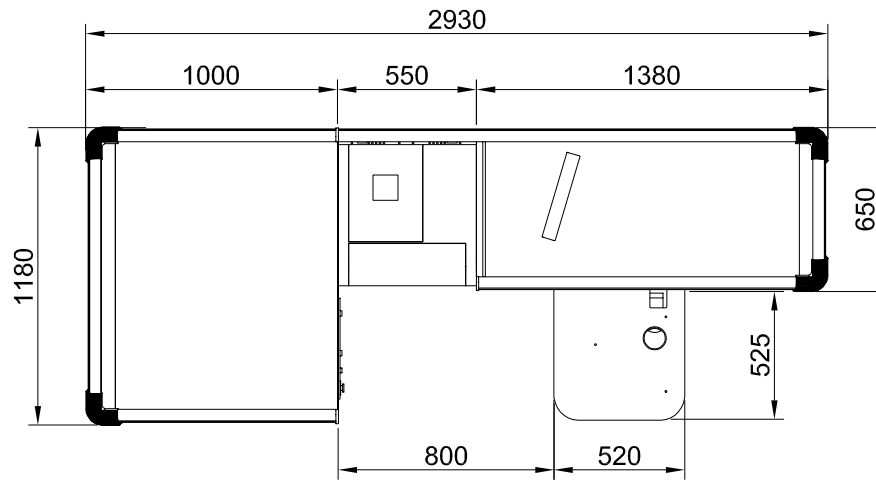
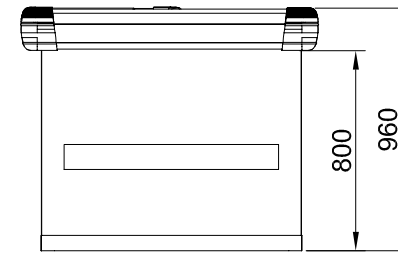
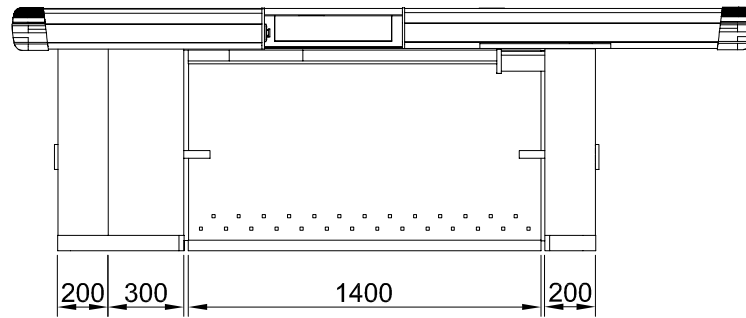
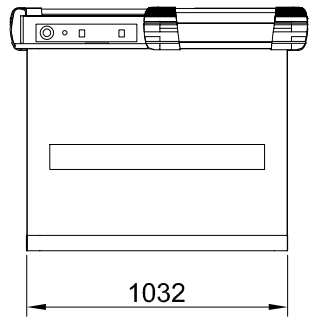


<b>TÍTULO Y REFERENCIA</b> <b>MUEBLES CAJA ERGO 2230</b> DELANTERA 880_CUBA 800				 TORREJÓN DE ARDOZ (MADRID) C/Hierro, 27 Telfs: 91 675 14 34 - 91 677 10 92 Fax: 91 677 82 33 <a href="http://www.marsanz.es">www.marsanz.es</a>
<b>DIRECCIÓN</b> MADRID		<b>FECHA</b> 24/01/2022	<b>Nº PLANO</b> 1	
<b>DIBUJADO POR</b> ÁLVARO	<b>T. COMERCIAL</b> PILAR	<b>ESCALA</b> <b>UNIDAD</b> <b>FORMATO</b>	<b>Nº OPCIÓN</b> 1	<small>Estos planos son propiedad de CREACIONES MARSANZ S.A. siendo confidenciales para la parte a quien se confían, no debiendo reproducirse total ni parcialmente y, en ningún caso, utilizarse directa o indirectamente en perjuicio de CREACIONES MARSANZ S.A.</small>

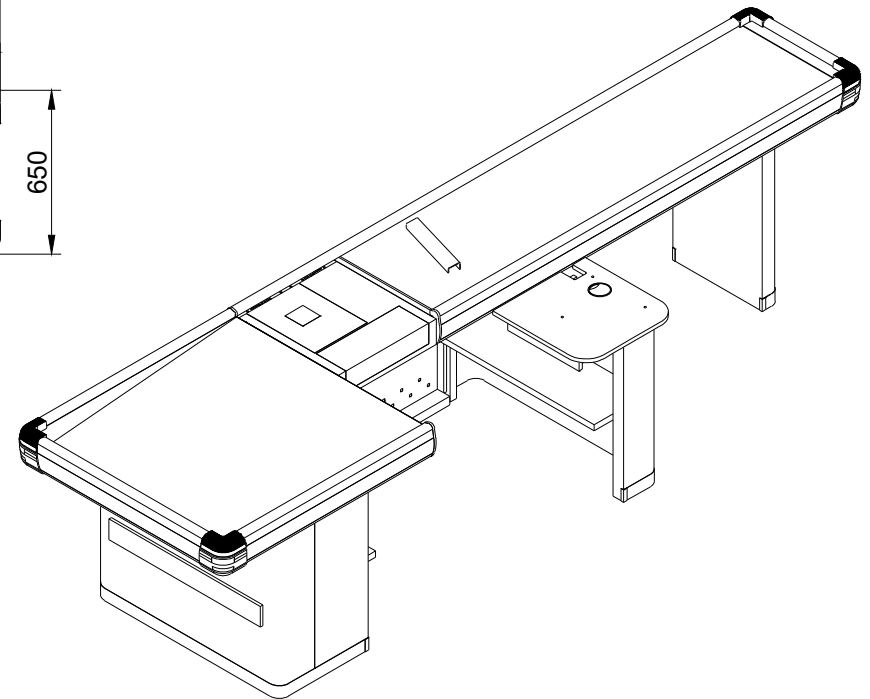
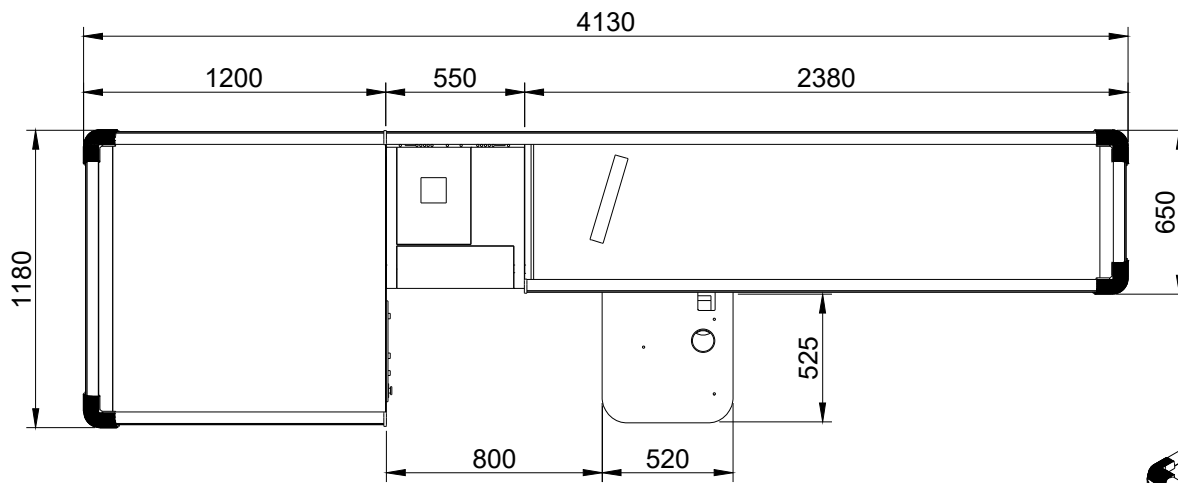
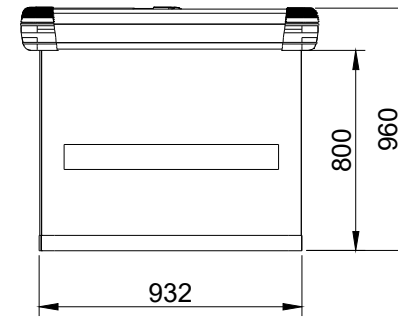
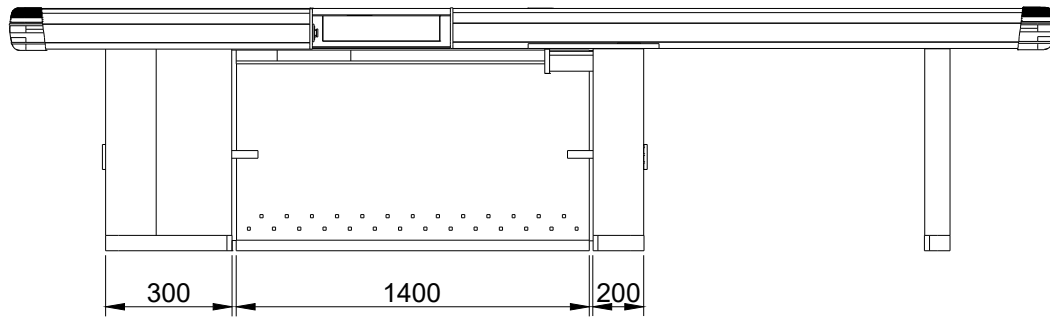




TÍTULO Y REFERENCIA <b>MUEBLES CAJA ERGO 2530</b> DELANTERA 980_CUBA 1000			 TORREJÓN DE ARDOZ (MADRID) C/Hierro, 27 Telfs: 91 675 14 34 - 91 677 10 92 Fax: 91 677 82 33 <a href="http://www.marsanz.es">www.marsanz.es</a>
DIRECCIÓN MADRID	FECHA 24/01/2022	Nº PLANO 2	
DIBUJADO POR ÁLVARO	T. COMERCIAL PILAR	ESCALA UNIDAD FORMATO	Nº OPCIÓN 1
<small>Estos planos son propiedad de CREACIONES MARSANZ S.A. siendo confidenciales para la parte a quien se confían, no debiendo reproducirse total ni parcialmente y, en ningún caso, utilizarse directa o indirectamente en perjuicio de CREACIONES MARSANZ S.A.</small>			



TÍTULO Y REFERENCIA <b>MUEBLES CAJA ERGO 2930</b> DELANTERA 1380_CUBA 1000			 TORREJÓN DE ARDOZ (MADRID) C/Hierro, 27 Telfs: 91 675 14 34 - 91 677 10 92 Fax: 91 677 82 33 <a href="http://www.marsanz.es">www.marsanz.es</a>
DIRECCIÓN MADRID	FECHA 24/01/2022	Nº PLANO 3	
DIBUJADO POR ÁLVARO	T. COMERCIAL PILAR	ESCALA UNIDAD FORMATO	Nº OPCIÓN 1
<small>Estos planos son propiedad de CREACIONES MARSANZ S.A. siendo confidenciales para la parte a quien se confían, no debiendo reproducirse total ni parcialmente y, en ningún caso, utilizarse directa o indirectamente en perjuicio de CREACIONES MARSANZ S.A.</small>			



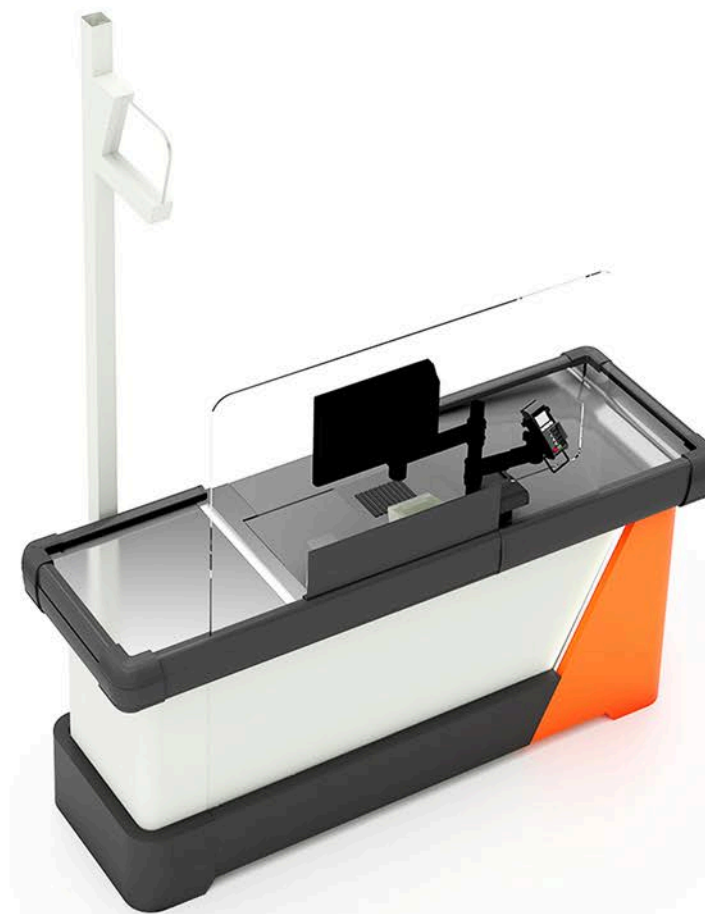
<b>TÍTULO Y REFERENCIA</b> <b>MUEBLES CAJA ERGO 4130</b> DELANTERA 2380_CUBA 1200				 TORREJÓN DE ARDOZ (MADRID) C/Hierro, 27 Telfs: 91 675 14 34 - 91 677 10 92 Fax: 91 677 82 33 <a href="http://www.marsanz.es">www.marsanz.es</a>
<b>DIRECCIÓN</b> MADRID		<b>FECHA</b> 24/01/2022	<b>Nº PLANO</b> 4	
<b>DIBUJADO POR</b> ÁLVARO	<b>T. COMERCIAL</b> PILAR	<b>ESCALA</b> UNIDAD FORMATO	<b>Nº OPCIÓN</b> 1	<small>Estos planos son propiedad de CREACIONES MARSANZ S.A. siendo confidenciales para la parte a quien se confían, no debiendo reproducirse total ni parcialmente y, en ningún caso, utilizarse directa o indirectamente en perjuicio de CREACIONES MARSANZ S.A.</small>

CHECK OUT  
SERIE A 1,50 m





CHECK-OUT INNOVA  
MODELO 1850



CHECK-OUT INNOVA  
MODELO RECTO 3030



MUEBLE CAJA  
INNOVA 3230 CUBA



CHECK-OUT  
MODELO INNOVA

